

APPLICATION:

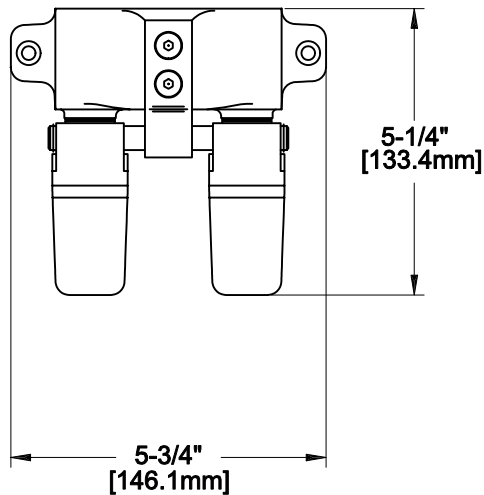
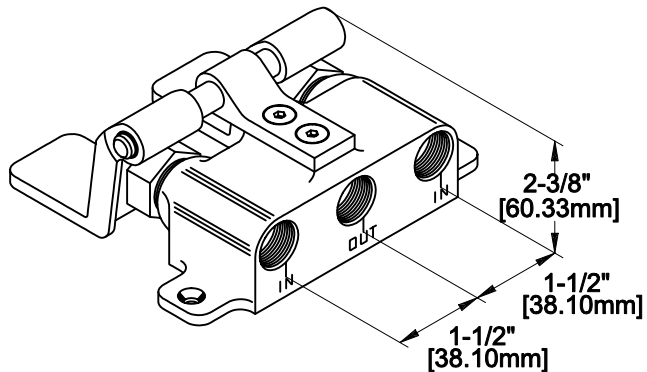
JOB NAME:

QUANTITY: ITEM NO.

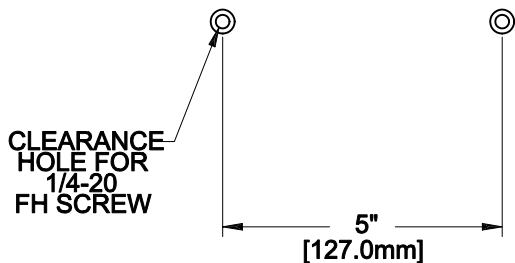
PRODUCT NAME:
**DOUBLE PEDAL CONTROL VALVE
 FLOOR MOUNT**

_____ SPECIAL CONFIGURATION
 CHECK BASE MODEL AND OPTIONS

MODEL:
 3170



ROUGH-IN:



OPTIONS OR MODIFICATIONS:
 SUPPLY LINES (24" OR 36") CIRCLE LENGTH
 OTHER _____

FEATURES:
 * PEDALS ANODIZED ALUMINUM
 * CYLINDERS CLOSES WITH WATER FLOW
 * POLISHED CHROME

RECOMMENDED SETTINGS

* 110°F @ 80 PSI

SYSTEM LIMITS

* TEMP: 40 °F MIN. TO 140° F MAX.
 * PRESSURE 200 PSI MAX. STATIC

SHIPPING WEIGHT

* 3.5 LBS