



**John
BOOS**
Since 1887

ITEM #: _____ QTY: _____

MODEL #: _____

PROJECT NAME: _____

090319

3601 S. Banker St. Effingham, IL 62401 • P.O. BOX 609 • Ph: (888) 431-2667 • Fax: (800) 433-2667

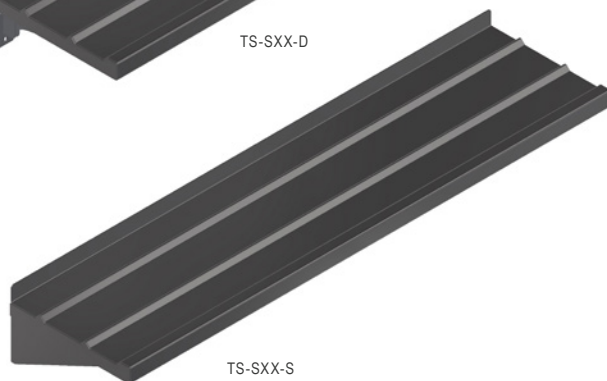
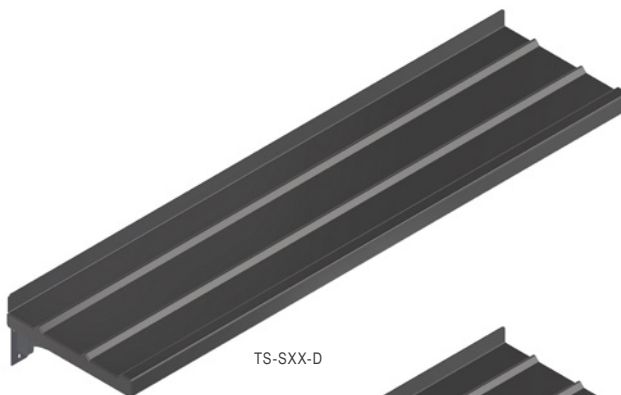
"TS-S" TRAY SLIDES - SOLID

FEATURES:

- MOUNTS TO ALL MODULAR CABINETS
- SOLID RIBBED TRAY DESIGN
- 3-RIB DESIGN
- STATIONARY DESIGN: RIGID MOUNTING BRACKETS
- DROP DOWN DESIGN: DROP DOWN MOUNTING BRACKETS

MATERIAL:

- 14 GAUGE TYPE 300 STAINLESS STEEL WITH #4 POLISH SATIN FINISH



STATIONARY MODEL	QTY	DROP DOWN MODEL	QTY
TS-S36-S		TS-S36-D	
TS-S48-S		TS-S48-D	
TS-S60-S		TS-S60-D	
TS-S72-S		TS-S72-D	
TS-S84-S		TS-S84-D	
TS-S96-S		TS-S96-D	
TS-S108-S		TS-S108-D	
TS-S120-S		TS-S120-D	
TS-S132-S		TS-S132-D	
TS-S144-S		TS-S144-D	

MODEL # STRUCTURE

S = SOLID

TS = TRAY SLIDE

XX = LENGTH

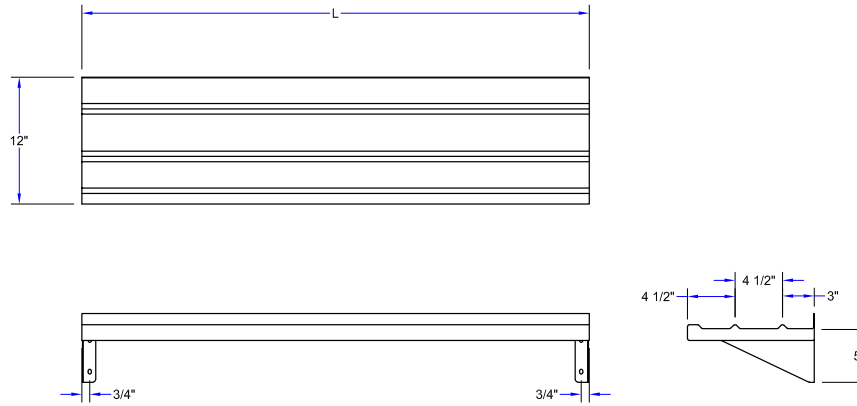
D = DROP DOWN MOUNT

S = SOLID MOUNT

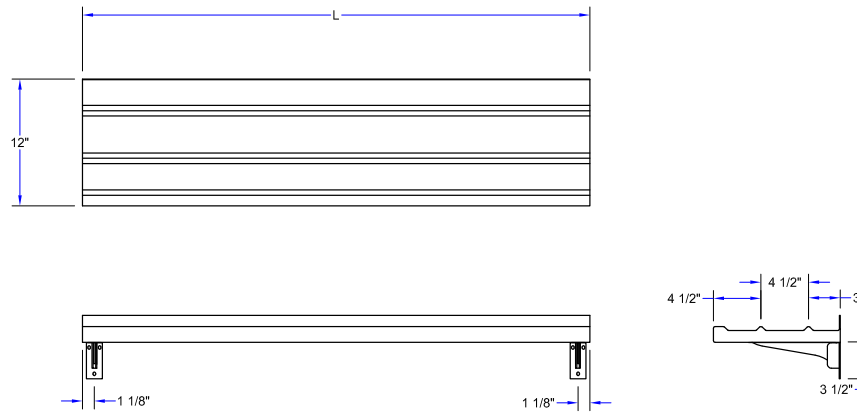
TS-SXX-D

DETAILED SPECIFICATIONS

TS-SXX-S



TS-SXX-D



"TS-S" TRAY SLIDES - SOLID

L	STATIONARY MODEL	WEIGHT (LBS)	DROP DOWN MODEL	WEIGHT (LBS)
36"	TS-S36-S	14	TS-S36-D	15
48"	TS-S48-S	18	TS-S48-D	19
60"	TS-S60-S	22	TS-S60-D	23
72"	TS-S72-S	26	TS-S72-D	27
84"	TS-S84-S	33	TS-S84-D	34
96"	TS-S96-S	37	TS-S96-D	38
108"	TS-S108-S	42	TS-S108-D	43
120"	TS-S120-S	47	TS-S120-D	48
132"	TS-S132-S	50	TS-S132-D	51
144"	TS-S144-S	54	TS-S144-D	55

SOME UNITS SHIP UNASSEMBLED FOR REDUCED SHIPPING COST. ALL DIMENSIONS ARE TYPICAL. TOLERANCE +/- .500"

John Boos & Co. is constantly engaged in a program of improving products and therefore reserves the right to change specifications without prior notice.



Boos
lock

AQ AutoQuotes

3601 S. Banker St. • Effingham, IL 62401 • PO BOX 609 • quotes@johnboos.com

www.johnboos.com

031319

469