



# PRESTIGE *Signature Series*

## Liquor Display Cabinet NSF

### 25" Wide Units

Item #: \_\_\_\_\_ Qty #: \_\_\_\_\_

Model #: \_\_\_\_\_

Project #: \_\_\_\_\_



**PRLR-24  
Shown**



**Optional Locking Cover Available  
Includes Padlock & 2 Keys  
PRLC-24 Shown**

**FEATURES:**

- Five tiered steps to display liquor bottles.
- Steel straps secure bottles on steps.
- 7" backsplash.
- Stainless steel legs with adjustable stainless steel bullet feet.
- Optional stainless steel cover includes padlock and two keys.

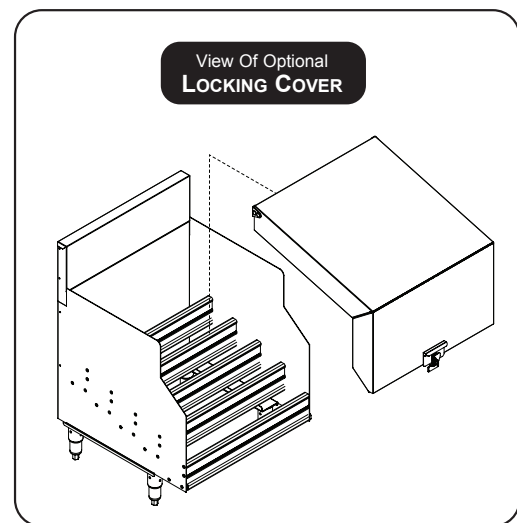
**MATERIAL:**

- Interior & Sides:** 20 gauge, 300 stainless steel
- Straps:** 18 gauge, 300 stainless steel
- Backsplash:** 22 gauge, 300 stainless steel
- Legs:** 1 5/8" O.D. 16 gauge stainless steel with 1" adjustable stainless steel bullet feet

**OPTIONAL STAINLESS STEEL COVERS:**

- Includes Padlock & Two Keys
- PRLC-12** - 12" removable stainless steel cover
- PRLC-18** - 18" removable stainless steel cover
- PRLC-24** - 24" removable stainless steel cover
- PRLC-30** - 30" removable stainless steel cover
- PRLC-36** - 36" removable stainless steel cover

| 25" DEPTH Model # | Overall Length (L) | Approx. Bottle Capacity | Approx. Weight | Approx. Cu. Ft. |
|-------------------|--------------------|-------------------------|----------------|-----------------|
| PRLR-12           | 12"                | 15                      | 35 lbs.        | 7               |
| PRLR-18           | 18"                | 20                      | 36 lbs.        | 10              |
| PRLR-24           | 24"                | 30                      | 42 lbs.        | 13              |
| PRLR-30           | 30"                | 35                      | 47 lbs.        | 14              |
| PRLR-36           | 36"                | 45                      | 50 lbs.        | 15              |



**Customer Service Available To Assist You 1-800-645-3166 8:30 am - 7:00 pm E.S.T.**

For Orders & Customer Service:  
Email: [customer@advancetabco.com](mailto:customer@advancetabco.com) or Fax: 631-242-6900

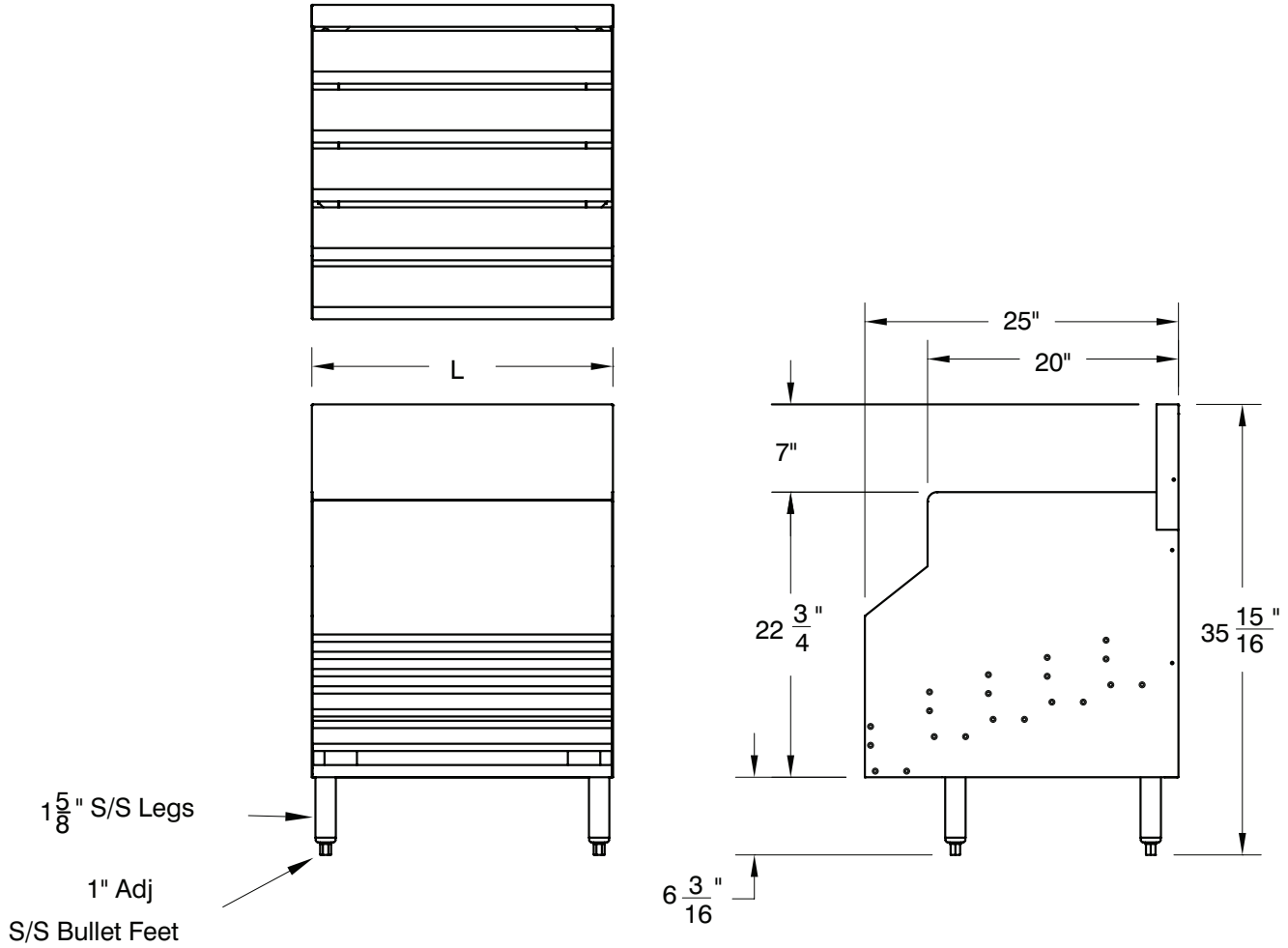
For Smart Fabrication™ Quotes:  
Email: [smartfab@advancetabco.com](mailto:smartfab@advancetabco.com) or Fax: 631-586-2933

# DIMENSIONS and SPECIFICATIONS

TOL Overall: ± .500" Interior: ± .250"

ALL DIMENSIONS ARE TYPICAL

## PRLR Series



## Optional Stainless Steel Cover (PRLC Series)

