



# T&S BRASS AND BRONZE WORKS, INC.

2 Saddleback Cove / P.O. Box 1088  
Travelers Rest, SC 29690

Model No.

**B-5115-12-CRB8P**

Item No.

Travelers Rest, SC: 800-476-4103 • Simi Valley, CA: 800-423-0150 • Fax: 864-834-3518 • www.tsbrass.com

This Space for Architect/Engineer Approval

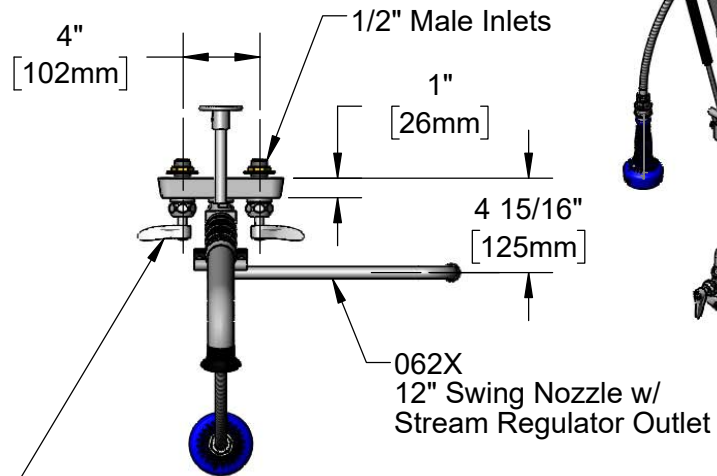
Job Name \_\_\_\_\_ Date \_\_\_\_\_

Model Specified \_\_\_\_\_ Quantity \_\_\_\_\_

Customer/Wholesaler \_\_\_\_\_

Contractor \_\_\_\_\_

Architect/Engineer \_\_\_\_\_



Quarter-Turn Cerama Cartridges w/ Check Valves & Lever Handles w/ Color Coded Indexes

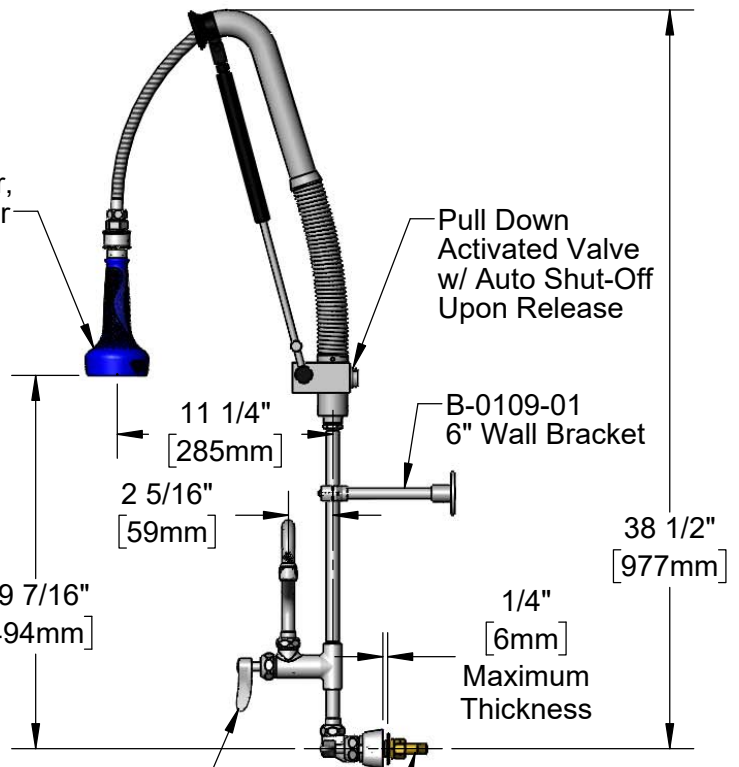
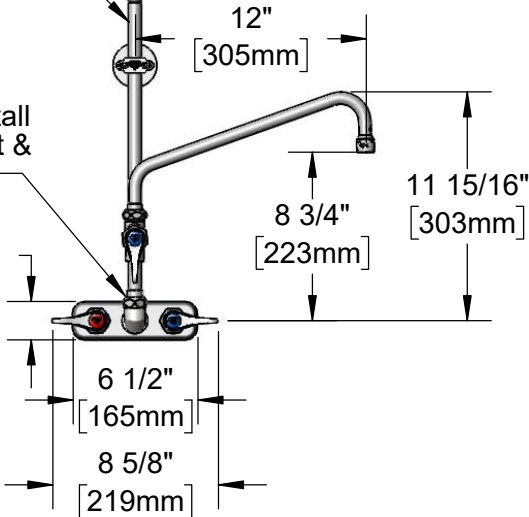
30" Flexible Stainless Steel Hose w/ Spring, Air Cylinder, Swivel, & 1.07 GPM Sprayer

Items Not Shown For Clarity

3/8" NPT x 12" Riser

EasyInstall Lock Nut & Bushing

2" [51mm]



EasyInstall Add-On Faucet w/ Quarter-Turn Cerama Cartridge & Lever Handle

Pull Down Activated Valve w/ Auto Shut-Off Upon Release

B-0109-01 6" Wall Bracket

1/4" [6mm] Maximum Thickness

(2) 150A Optional Tailpieces & Nuts For 1/4" NPT Connection (Included)

Rough-In Requirement:  
(2)  $\phi$  1" [25mm] Mounting Holes

Product Specifications:  
EasyInstall Pull-Down Pre-Rinse Unit: 4" Wall Mount Workboard Faucet, Quarter-Turn Cerama Cartridges w/ Check Valves, Add-On Faucet w/ 12" Swing Nozzle, Lever Handles, 12" Riser, 30" Flexible Stainless Steel Hose, 1.07 GPM Sprayer, 6" Wall Bracket & 1/2" NPT Male Inlets

Product Compliance:  
ASME A112.18.1 / CSA B125.1  
NSF 61 - Section 9  
NSF 372 (Low Lead Content)  
2019 DOE PRSV - Class II



# T&S BRASS AND BRONZE WORKS, INC.

2 Saddleback Cove / P.O. Box 1088  
Travelers Rest, SC 29690

Model No.

**B-5115-12-CRB8P**

Item No.

Travelers Rest, SC: 800-476-4103 • Simi Valley, CA: 800-423-0150 • Fax: 864-834-3518 • www.tsbrass.com

	ITEM NO.	SALES NO.	DESCRIPTION
	1	019898-40	1.07 GPM Sprayer w/ Swivel
	2	108SF-RK	Spray Face Repair Kit
	3	001014-45	Washer, B-0100 Hose Barrel
	4	018200-40	3/8" NPT Live Swivel
	5	005221-25	7/8"-20 x 1/2" BSPF Adapter
	6	019901-45	30" Stainless Steel Braided Hose w/ 1/2" NPSM Threads
	7	020062-45	Air Cylinder Repair Kit
	8	020060-45	Spring & Tube Repair Kit
	9	020061-45	Valve Stem Repair Kit
	10	020063-45	Valve Body Repair Kit
	11	001359-40	Hex Bushing, 1/2" NPT Male x 3/8" NPT Female
	12	B-0109-01	6" Wall Bracket
	13	000366-40	3/8" NPT x 12" Riser
	14	EZ-K	EasyInstall Kit: Nut, Bushing, O-ring & Lock Washer
	15	019611-40	4" c/c Brass Escutcheon
	16	150A	1/4" NPT Tailpiece & Nut
	17	002954-45	Shank Lock Nut
	18	000999-45	Brass Lock Washer
	19	012394-25NS	Quarter-Turn Cerama Cartridge, RTC w/ Check Valve
	20	001638-45NS	Lever Handle (New Style)
	21	000925-45	Lab Handle Screw
	22	018506-19NS	Blue Button Index, Press-in
	23	019641-25	Quarter-Turn Cerama Cartridge RTC w/ Check Valve, Handle, Blue Index & Screw
	24	019640-25	Quarter-Turn Cerama Cartridge, LTC w/ Check Valve, Handle, Red Index & Screw
	25	001193-19NS	Red Button Index, Press-in
	26	012395-25NS	Quarter-Turn Cerama Cartridge, LTC w/ Check Valve
	27	019376-40	Escutcheon Lock Nut
	28	000082-40	B-1100 Knob
	29	B-0155-CR-LN	EasyInstall Cerama Add-On Faucet, Less Nozzle
	30	B-PT	Full Flow Stream Regulator, 55/64-27
	31	062X	12" Swing Nozzle w/ Stream Regulator Outlet
	32	020064-45	PRU Control Valve Seal Repair Kit

**Product Specifications:**  
EasyInstall Pull-Down Pre-Rinse Unit: 4" Wall Mount Workboard Faucet, Quarter-Turn Cerama Cartridges w/ Check Valves, Add-On Faucet w/ 12" Swing Nozzle, Lever Handles, 12" Riser, 30" Flexible Stainless Steel Hose, 1.07 GPM Sprayer, 6" Wall Bracket & 1/2" NPT Male Inlets

**Product Compliance:**  
ASME A112.18.1 / CSA B125.1  
NSF 61 - Section 9  
NSF 372 (Low Lead Content)  
2019 DOE PRSV - Class II