

# SELF-CONTAINED KETTLE

ELECTRIC, INSULATED  
STATIONARY, FLOOR MOUNTED  
DEEP DRAWN CONSTRUCTION  
MADE IN USA

# MODEL LEC / HEC

## STANDARD FEATURES



Model LEC-40

- ◆ **The Legion 316 Kettle System**
  - ◇ 316 stainless liner
  - ◇ 316 stainless draw-off tube and welds
  - ◇ 316 stainless 1 1/2" compression draw-off valve
- ◆ 304 stainless kettle jacket
- ◆ Kettle protection system
  - ◇ 30 psi safety valve and maximum operating pressure
  - ◇ Pressure gauge
  - ◇ Jacket-water fill
  - ◇ Thermostat temperature control
  - ◇ Automatic low water cut off and indicator light
  - ◇ Field replaceable heating elements
- ◆ Full body insulation between kettle jacket and outer casing
- ◆ 304 stainless outer casing seam welded to radius lip
- ◆ 304 stainless, seam welded control console
- ◆ 304 stainless, one piece, domed cover, actuator-assisted on 60 - 80 gallon
- ◆ Perforated disc strainer, 1/4" holes
- ◆ Adjustable bullet feet

Legion equipment is built to comply with applicable standards for manufacturers. Approval agencies may include ASME, NSF, UL, ETL, AGA, CSA, CGA, and others. Legion reserves the right of design improvement or modification as warranted.

MODELS AND CAPACITIES			OPTIONAL FEATURES AND ACCESSORIES	
			See price list for supplemental information regarding options	
LEC-20 HEC-20	20 gal.	(76 l.)	<input type="checkbox"/> Single or double fill faucet with bracket & 12 or 18" swing nozzle <input type="checkbox"/> 48" flexible spray hose assembly (vinyl or stainless) for use with dual or single fill faucet <input type="checkbox"/> Faucet bracket <input type="checkbox"/> Automatic water filling meter <i>(Call for information regarding additional faucet options)</i> <input type="checkbox"/> Single basket insert, 20 - 40 gallon <input type="checkbox"/> Tri-basket insert <input type="checkbox"/> Nylon bag insert with spreader ring <input type="checkbox"/> Lift-off cover <input type="checkbox"/> 1 piece actuator-assisted cover, 20 - 40 gallon <input type="checkbox"/> 2 piece hinged cover <input type="checkbox"/> Adjustable flanged feet <input type="checkbox"/> Pressure switch	<input type="checkbox"/> Electric indicating timer with buzzer <input type="checkbox"/> Draw-off drain hose <input type="checkbox"/> Measuring strip <input type="checkbox"/> Perforated disk strainer, 1/8" holes <input type="checkbox"/> Kettle care kit <input type="checkbox"/> Mixer/Agitator, 2 speed  <b>Prison/Security Options:</b> <input type="checkbox"/> Fasteners ( <i>screws &amp; nuts</i> ) <input type="checkbox"/> Nut driver tool <input type="checkbox"/> Draw-off nut driver tool <input type="checkbox"/> Screw driver tool <input type="checkbox"/> Lockable control cover <input type="checkbox"/> Lockable lid <input type="checkbox"/> Draw-off protection
LEC-30 HEC-30	30 gal.	(114 l.)		
LEC-40 HEC-40	40 gal.	(151 l.)		
LEC-60 HEC-60	60 gal.	(227 l.)		
LEC-80 HEC-80	80 gal.	(303 l.)		
Select draw-off: <input type="checkbox"/> 1 1/2" <input type="checkbox"/> 2" <input type="checkbox"/> 3" With: <input type="checkbox"/> Compression <input type="checkbox"/> Ball type fitting  Select voltage: <input type="checkbox"/> 208V <input type="checkbox"/> 240V <input type="checkbox"/> 380V <input type="checkbox"/> 415V <input type="checkbox"/> 440V <input type="checkbox"/> 480V Select phase: <input type="checkbox"/> 1Ø <input type="checkbox"/> 3Ø				

Revision 999



# MODEL LEC / HEC

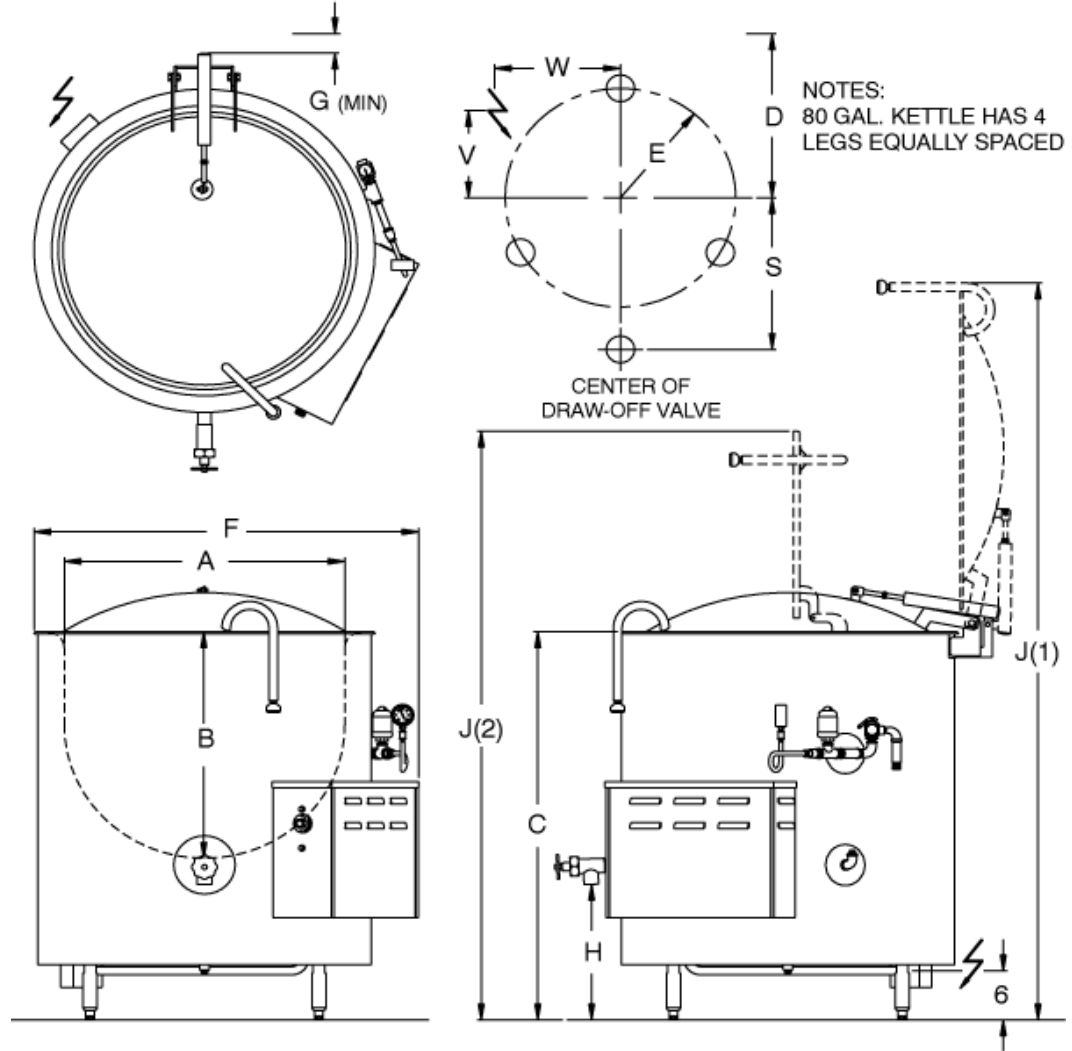
**ELECTRIC, INSULATED  
STATIONARY, FLOOR MOUNTED  
DEEP DRAWN CONSTRUCTION  
MADE IN USA**

# SELF-CONTAINED KETTLE

DRAWING REPRESENTS 80 GALLON MODEL

MODEL LEC/HEC DIMENSIONS					
GAL.	20	30	40	60	80
A	22.0	23.0	25.5	29.5	32.5
B	16.0	20.3	22.3	25.0	27.6
C*	32.4	37.6	39.9	44.0	46.9
D	22.0	22.6	24.3	26.1	28.0
E	13.5	13.9	15.3	17.3	18.8
F	34.0	35.0	37.4	41.4	44.4
G	4.0	4.0	4.0	4.0	4.0
H*	12.9	14.3	14.0	15.4	15.6
J(1)*	64.3	70.4	75.0	83.0	89.4
J(2)*	49.5	55.8	59.6	66.1	71.0
S*	16.5	17.0	18.3	20.3	21.8
V	11.5	11.9	12.9	14.3	15.4
W	11.5	11.9	12.9	14.3	15.4

\*Dimensions on these drawings are applicable only when using a 1.5" diameter draw-off valve. If a 2" or 3" diameter draw-off valve is required, contact Legion for applicable dimensions.



MODEL LEC ELECTRICAL SPECIFICATIONS (Amperes per Leg)														MODEL HEC ELECTRICAL SPECIFICATIONS (Amperes per Leg)													
GAL.	KW	208 VOLT		240 VOLT		380 VOLT		415 VOLT		440 VOLT		480 VOLT		KW	208 VOLT		240 VOLT		380 VOLT		415 VOLT		440 VOLT		480 VOLT		
		1Ø	3Ø	1Ø	3Ø	1Ø	3Ø	1Ø	3Ø	1Ø	3Ø	1Ø	3Ø		1Ø	3Ø	1Ø	3Ø	1Ø	3Ø	1Ø	3Ø	1Ø	3Ø	1Ø	3Ø	
20	9.0	43.3	25.0	37.5	21.7	23.7	13.7	21.7	12.5	20.5	11.8	18.8	10.8	12.0	57.7	33.3	50.0	28.9	31.6	18.2	28.9	16.7	27.3	15.7	25.0	14.4	
30	12.0	57.7	33.3	50.0	28.9	31.6	18.2	28.9	16.7	27.3	15.7	25.0	14.4	24.0	115.4	66.6	100.0	57.7	63.2	36.5	57.8	33.4	54.5	31.5	50.0	28.9	
40	15.0	72.1	41.6	62.5	36.1	39.5	22.8	36.1	20.9	34.1	19.7	31.3	18.0	24.0	115.4	66.6	100.0	57.7	63.2	36.5	57.8	33.4	54.5	31.5	50.0	28.9	
60	24.0	115.4	66.6	100.0	57.7	63.2	36.5	57.8	33.4	54.5	31.5	50.0	28.9	36.0	173.1	99.9	150.0	86.6	94.7	54.7	86.7	50.1	81.8	47.2	75.0	43.3	
80	30.0	144.2	83.3	125.0	72.2	78.9	45.6	72.3	41.7	68.2	39.4	62.5	36.1	36.0	173.1	99.9	150.0	86.6	94.7	54.7	86.7	50.1	81.8	47.2	75.0	43.3	

Revision 999



**LEGION**

The Finest American Quality Since 1897

LEGION INDUSTRIES, INC. ♦ 69 MAIN ST. ♦ DALLAS, PA 18612 ♦ (800) 833-9803 ♦ (570) 675-1575 ♦ FAX: (570) 675-7551

# MIXER HEADS

**TWIN SHAFT AGITATOR  
FIXED MOUNT, TILT OUT  
MADE IN USA**

# MODEL MV MIXER

## STANDARD FEATURES



**Model TWT-80 with mixer and optional bottom mounted butterfly valve**



**Model LGB-40**



**Model TWU-40**

- ◆ Enclosed, balanced, aluminum, mixer bridge
- ◆ Totally enclosed gear motor
  - ◇ Aluminum cast housing
  - ◇ Right angle output shaft
  - ◇ Single speed type (5 - 10 gallon)
  - ◇ Two speed type (20 - 100 gallon)
- ◆ 304 stainless steel anchor type main agitator shaped to contour of kettle
- ◆ Removable nylon blades scrape entire kettle surface
- ◆ 304 stainless steel secondary counter-rotating beater located between center shaft and outside arm of main agitator
- ◆ Main agitator and secondary beater are bayonet mounted for easy, quick removal for cleaning or when kettle is to be used as a stationary or tilt kettle without the mixing mechanism
- ◆ Actuator-assisted agitator, scraper and bridge lift
- ◆ Positive quick acting rim lock and latch mechanism
- ◆ Safety device prevents high speed starts
- ◆ Mixing device stops when bridge is lifted
- ◆ Two speed agitator switch
- ◆ 15 : 1 gear head reduction ratio
- ◆ 2.6 : 1 secondary beater / main agitator ratio

Legion equipment is built to comply with applicable standards for manufacturers. Approval agencies may include ASME, NSF, UL, ETL, AGA, CSA, CGA, and others. Legion reserves the right of design improvement or modification as warranted.

### DESIGN FEATURES

Call for supplemental information regarding options

- Alternate rim lock mechanism location
- Single or twin design
- Customized frame design
- 10 : 1 gear head reduction ratio
- 25 : 1 gear head reduction ratio
- 1.57 : 1 beater / scraper ratio
- 1.47 : 1 beater / scraper ratio

Select mixer voltage:  115V\*  208V  230V  460V

Select mixer phase:  1  3

Select mixer hertz:  50  60

\*1/3 HP motor only.

Note: Not all kettle options are available on kettles with mixers.

### AGITATOR MOTOR HORSEPOWER AND R.P.M.

Standard gear head ratio is 15 : 1  
Standard main agitator / secondary beater ratio 2.6 : 1

GAL.	HORSEPOWER		R.P.M. MAIN AGITATOR*	R.P.M. SECONDARY BEATER*
5 - 10	Single speed	1/3	17	43
20 - 30	High	1	46	120
	Low	1/2	23	60
40 - 60	High	1 1/2	46	120
	Low	3/4	23	60
80 - 100	High	2	46	120
	Low	1	23	60

\*Based on standard gear head ratio and standard main agitator and secondary beater ratio. Contact Legion for applicable information on optional gear head ratio and main agitator and secondary beater ratios.

Revision 999



**LEGION** The Finest American Quality Since 1897

LEGION INDUSTRIES, INC. ♦ 69 MAIN ST. ♦ DALLAS, PA 18612 ♦ (800) 833-9803 ♦ (570) 675-1575 ♦ FAX: (570) 675-7551

# MODEL LM MIXER

SINGLE SHAFT PORTABLE MIXER  
CLAMP OR FIXED MOUNT  
MADE IN USA

# MIXER HEADS

## STANDARD FEATURES



- ◆ Easy-positioning handle facilitates proper in-tank placement
- ◆ Standard Dura-Mix motor is specifically designed for mixer service
- ◆ Motor and shaft are coupled directly with pilot and keyway for accurate alignment and positive connection
- ◆ One piece aluminum housing provides exact alignment and superior mechanical strength
- ◆ Positive chuck grips the tapered flat on the mixer shaft to prevent unintentional shaft release. For added stability, rigid coupling is standard for longer shafts. Coupling is welded to the shaft.
- ◆ Built-in dampener pad between housing ball and clamp socket minimizes vibration.
- ◆ Clamp mount or fixed mount
- ◆ Mixer adjusts 90° vertically, 360° horizontally for optimal in-tank positioning.
- ◆ High-performance impellers to meet specific mixing requirements

Model LGB-60 with custom clamp mount portable mixer  
and custom cut-out lid

## DESIGN FEATURES

Call for supplemental information regarding options

- Custom fixed mount position
- Custom clamp mount position

Select voltage: 208V 240V 380V 415V 440V 480V

Select phase: 1 3

Select hertz: 50 60

### Mixer selection

To determine your mixer selection, identify the following:

- √ Product to be mixed
- √ Viscosity value of product to be mixed
- √ Temperature of product to be mixed
- √ Specific gravity of product to be mixed
- √ Kettle capacity in gallons

Note: Not all kettle options are available on kettles with mixers.



**LEGION** The Finest American Quality Since 1897

LEGION INDUSTRIES, INC. ♦ 69 MAIN ST. ♦ DALLAS, PA 18612 ♦ (800) 833-9803 ♦ (570) 675-1575 ♦ FAX: (570) 675-7551