



**"WE MAKE THE KITCHEN BETTER!"**

**ATOSA USA, INC.**

**Toll Free: 855-855-0399 Email: info@atosausa.com**

www.atosa.com | www.atosausa.com

California, Colorado, Florida, Georgia, Illinois,

New Jersey, Ohio, Texas, Washington

# Undercounter Refrigerator with Drawers

MODELS:
MGF8415GR

## Standard Features

- Stainless steel exterior & interior with reinforced stainless steel top
- Environmentally friendly R290 refrigerant
- Electronic temperature controller
- Maintains temperatures between 35°F – 38°F
- Recessed door handle(s)
- Magnetic drawer gasket(s)
- 1 full size (12" x 20") pan per drawer standard
- Each drawer can accommodate 6 - 1/6 size pans
- Pre-installed casters



**MGF8415GR**

## Optional Accessories

- Extended warranty up to 5 years

For the best results of food preservation we recommend setting your refrigerator between 35°F to 38 °F

1. Don't forget to leave the unit some room to breathe!
2. Please clean the condenser frequently to give the unit more fresh air.



2 YEAR PARTS AND LABOR WARRANTY  
5 YEAR COMPRESSOR PART WARRANTY





**"WE MAKE THE KITCHEN BETTER!"**

**ATOSA USA, INC.**

**Toll Free: 855-855-0399 Email: info@atosausa.com**

www.atosa.com | www.atosausa.com

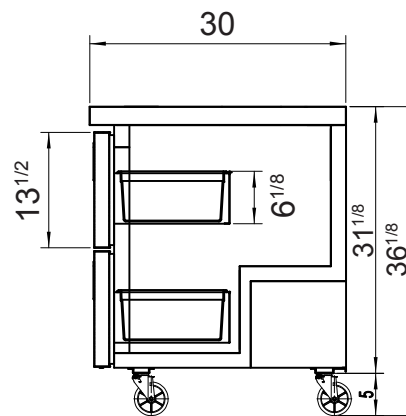
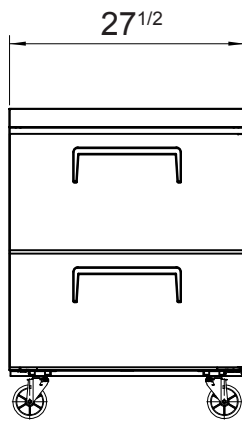
California, Colorado, Florida, Georgia, Illinois,

New Jersey, Ohio, Texas, Washington

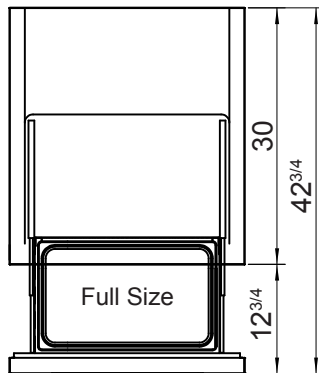
**SPECIFICATIONS**

Models	Drawers	Capacity (Cu.Ft.)	Casters (inch)	Amps (A)	Voltage (V/Hz/Ph)	HP	Refrigerant	Exterior Dimensions (inch)	Net Weight (lb)	Gross Weight (lb)
MGF8415GR	2	7.15	4	2.3	115/60/1	1/7	R290	27 <sup>1/2</sup> ×30×36 <sup>1/8</sup>	163	196

**PLAN VIEW**



**SIDE VIEW**



**Casters**



**Rear grate**



**Temperature control**

