

### M Series Portion Control Scales

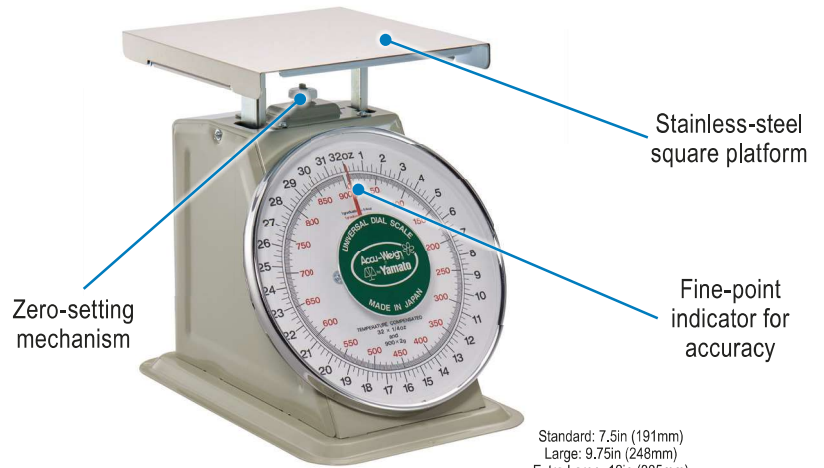
- Enameled steel construction
- Easy-to-read 30° tilted dial
- Standard weight capacities: 32oz to 40lb
- Heavy-duty weight capacities available: 50lb to 150lb



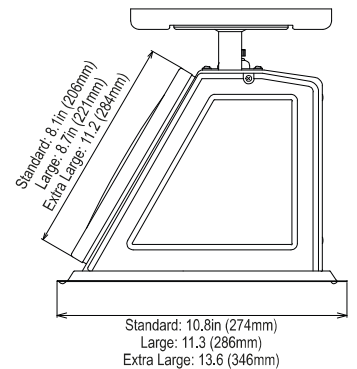
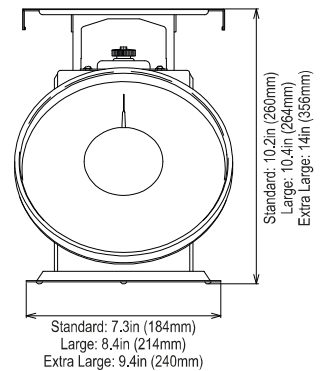
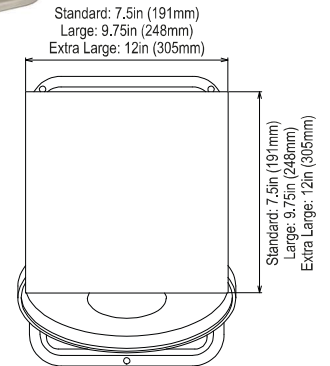
Optional carrying handle



Optional spider and bowl assembly



### Dimensions



MODEL	M SERIES	DIAL SIZE	PLATFORM
Capacity	M-24	32oz x 1/4oz	8in (203mm) 7.5in x 7.5in (191mm x 191mm)
	M-24PK	32oz x 1/4oz and 900g x 2g	8in (203mm) 7.5in x 7.5in (191mm x 191mm)
	M-28	32oz x 1/8oz	8in (203mm) 7.5in x 7.5in (191mm x 191mm)
	M-28PK	32oz x 1/8oz and 900g x 2g	8in (203mm) 7.5in x 7.5in (191mm x 191mm)
	M-5	5lb x 1/2oz	8in (203mm) 7.5in x 7.5in (191mm x 191mm)
	M-5PK	5lb x 1/2oz and 2kg x 10g	8in (203mm) 7.5in x 7.5in (191mm x 191mm)
	M-10	10lb x 1oz	8in (203mm) 7.5in x 7.5in (191mm x 191mm)
	M-10PK	10lb x 1oz and 4kg x 20g	8in (203mm) 7.5in x 7.5in (191mm x 191mm)
	M-20	20lb x 1oz	8in (203mm) 7.5in x 7.5in (191mm x 191mm)
	M-20PK	20lb x 1oz and 9kg x 50g	8in (203mm) 7.5in x 7.5in (191mm x 191mm)
	M-25D	25lb x 0.1lb	8in (203mm) 7.5in x 7.5in (191mm x 191mm)
	M-25PK	25lb x 2oz and 11kg x 50g	8in (203mm) 7.5in x 7.5in (191mm x 191mm)
	M-30PK	30lb x 2oz and 13.5kg x 50g	8in (203mm) 7.5in x 7.5in (191mm x 191mm)
	M-40	40lb x 2oz	8in (203mm) 7.5in x 7.5in (191mm x 191mm)
	M-40PK	40lb x 2oz and 18kg x 50g	8in (203mm) 7.5in x 7.5in (191mm x 191mm)
	M-54PK	50lb x 4oz and 22kg x 100g	8in (203mm) 7.5in x 7.5in (191mm x 191mm)
	M-50	50lb x 2oz	9in (229mm) 9.75in x 9.75in (248mm x 248mm)
	M-50PK	50lb x 2oz and 22kg x 50g	9in (229mm) 9.75in x 9.75in (248mm x 248mm)
	M-74PK	70lb x 4oz and 30kg x 100g	9in (229mm) 9.75in x 9.75in (248mm x 248mm)
	M-75PK	75lb x 4oz and 33.5kg x 100g	10in (254mm) 12in x 12in (305mm x 305mm)
M-100PK	100lb x 4oz and 45kg x 100g	10in (254mm) 12in x 12in (305mm x 305mm)	
M-150PK	150lb x 8oz and 67kg x 200g	10in (254mm) 12in x 12in (305mm x 305mm)	
M-800	800g x 1g	8in (203mm) 7.5in x 7.5in (191mm x 191mm)	
M-410	4kg x 10g	8in (203mm) 7.5in x 7.5in (191mm x 191mm)	
M-1250	12kg x 50g	8in (203mm) 7.5in x 7.5in (191mm x 191mm)	
Weighing System	Temperature compensated spring mechanism		
Operating Temperatures	14°F ~ 104°F (-10°C ~ 40°C)		
Housing Material	Enameled steel construction		
Options	Air dashpot, carrying handle, 2.5qt (10in) flat bowl, 4.2qt (11in) bowl 2.5qt (10in) flat bowl with spider		

PK = Pound-Kilogram D = Decimal Pound