

# GAS COUNTER TILTING KETTLE


 GC-12

### OPERATION SHALL BE BY:

Gas self-generating closed steam system equipped to operate on:

- Natural Gas
- L.P. Gas

The controls shall be equipped for operation on:

- 120 VAC, 1 Phase, 50/60 Hz

### Standard Features

- Low water level cut-off and indicator
- Pressure gauge
- Temperature control
- Safety relief valve
- Type 316 stainless steel liner
- 50 PSI (345 kPa) high pressure operation for high cooking temperature
- Integrally mounted controls
- "Clean lock" to hold kettle in cooking position or 105° for ease of cleaning
- Solid state thermostat

### OPTIONS & ACCESSORIES AT ADDITIONAL COST

- |  |   |  |
|--|---|--|
| <input type="checkbox"/> Floor Protective Panel for 36" Gas Boiler Based Cabinets and Up (aluminum panel, painted on top with special anti-reflective black paint) (8976-1-SB) | <input type="checkbox"/> 220 VAC, 1 phase, 50/60 Hz.(GKVS-) | <input type="checkbox"/> Stand with pullout drawer & drain (SD-30-12G, factory installed only) |
| <input type="checkbox"/> Floor Protective Panel 24" Gas Boiler Based Cabinets List Price (aluminum panel, painted on top with special anti-reflective black paint) (8978-1-SB) | <input type="checkbox"/> Etched liter markings (LM-)        | <input type="checkbox"/> Single pantry faucet (SF-18)  |
|  | <input type="checkbox"/> Etched gallon markings (GM-)       | <input type="checkbox"/> Dual pantry faucet (DF-18)  |
|  | <input type="checkbox"/> One piece lift-off cover (C-12G)   | <input type="checkbox"/> Stainless steel basket (SSB-12)                                       |
|  | <input type="checkbox"/> Tilting kettle strainer (TKS-12G)  |  |

### STANDARD CONSTRUCTION SPECIFICATIONS

Shall be a CROWN Model GC-12, gas fired, self-contained steam jacketed kettle.

A double wall kettle interior shall form a steam jacket around the lower 2/3 of the kettle.

The jacket enclosure shall contain factory sealed distilled water. Kettle exterior is fully insulated.

The bottom of the kettle shall be of hemispherical design for superior heat circulation.

The mounting base shall include four stainless steel tubular legs fitted with a four hole adjustable foot for securing the unit to the floor and a stainless steel mechanism housing.

A removable operating handle with high heat proof knob shall be mounted on the right.

Construction shall be stainless steel type 304 with #4 satin exterior finish.

The interior kettle liner shall be a one piece welded construction made with type 316 stainless steel for added resistance to corrosion.

The kettle shall be ASME constructed and National Board Registered.

The controls shall be integrally mounted to the kettle and shall include solid state thermostat, power switch temperature light, ignition light, low water indicator light, water sight glass, pressure gauge and electronic ignition.

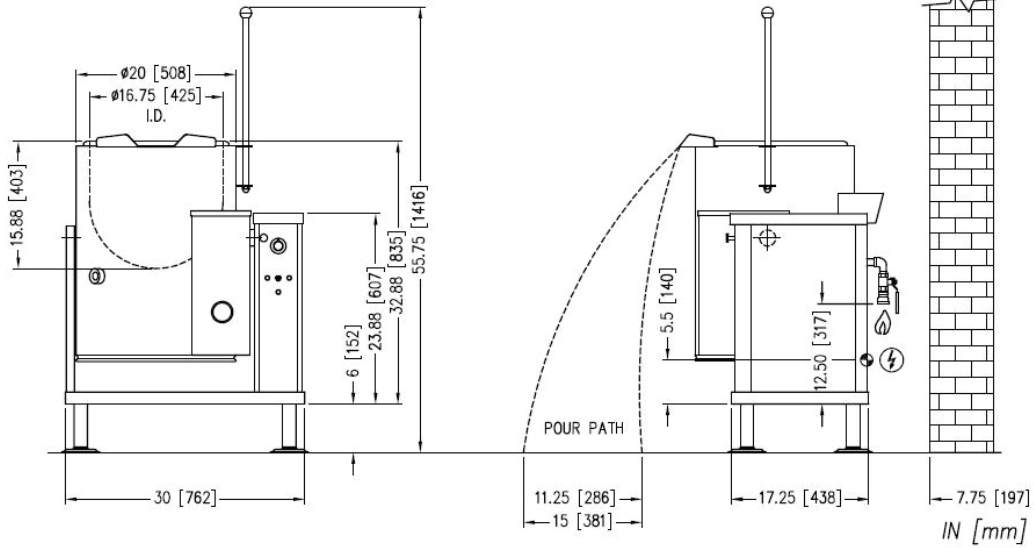
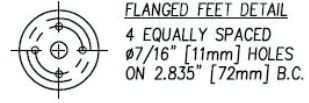
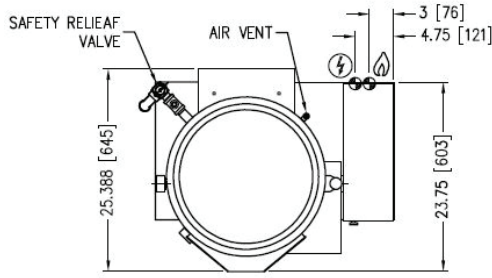
Safety features, low water shut off, burners turn off automatically when kettle is tilted, pressure switch and pressure relief valve.

The kettle shall operate in a temperature range of 150 degrees Fahrenheit (66 degrees Celsius) to 285 degrees Fahrenheit (140 degrees Celsius) at a maximum pressure of 50 PSI (345 kPa).



Approval Notes: \_\_\_\_\_

\_\_\_\_\_



**SERVICE CONNECTIONS**

- ⚡ – Electrical Connection - Unless otherwise specified, field wire electrical connection to be 120V, 60 Hz, 1 Phase with grounding wire. Unit Furnished with 8' cord and 3-prong plug. Total max AMPS 2.0
- 🔥 – Gas Connection - 3/4" pipe supply line required
- 💧 – Cold Water - 3/8" O.D. tubing to faucet (OPTIONAL)

**GAS CHARACTERISTICS**

MODEL	GAS SUPPLY		
	BTU/HR.	kW/HR.	SUPPLY PIPE PRESSURE (W.C.)
GC-12	43,000	12.6	Natural 6"-14" (152-356 mm)
			Propane 11"-14" (279-356 mm)

\* For use on non-combustible floors only.

**SPECIFICATIONS**

MODEL	CAPACITY		MODEL	SHIPPING WEIGHT	MINIMUM CLEARANCE	
	12 Gallon	46 Liter			SIDES	BACK
GC-12			GC-12	255 lbs. [116 kg.]	0	6 [152]

**MISCELLANEOUS**

If installing on any NON-Quarry Tile floor (flooring other than quarry tile, cement or natural stone), contact the factory for installation options as damage due to improper installation is not covered under warranty.

**INTENDED FOR COMMERCIAL USE ONLY.  
NOT FOR HOUSEHOLD USE.**

