



Project \_\_\_\_\_  
 AIA # \_\_\_\_\_ SIS # \_\_\_\_\_  
 Item # \_\_\_\_\_ Quantity \_\_\_\_\_ C.S.I. Section 114000

## G SERIES

### 2-Section Refrigerator Pass-Thru

### Self-Contained Hinged Glass/Solid Door Combinations



#### STANDARD PRODUCT FEATURES

- High Performance, Energy Efficient Refrigeration System Using R-290
- Reliable Microprocessor Control With LED Temperature Display
- Evaporator Coil Outside Food Zone Provides More Usable Space
- Load-Sure™ Guard Prevents Problems From Improper Loading
- Durable All-Metal Construction
- Stainless Steel Front & Louver Panel, Glass Door & Stainless Steel Door, Anodized Aluminum Sides & Interior
- Full or Half Height Door Models with a Variety of Hinging Configurations
- Long Life EZ-Clean™ Door Gaskets
- Three (3) Epoxy Coated Shelves Per Section (factory installed)
- Easy to Maintain Front Facing Condenser Coil
- 6" High Locking Casters

#### FIELD INSTALLED ACCESSORIES & OPTIONS

- Trayslides for 18" x 26" Sheet Pans
- Trayslides for 12" x 20" Food Pans
- Trayslides for 14" x 18" Sheet Pans
- Trayslides for 18" x 26, 12" x 20" & 14" x 18" Pans
- Additional Shelves
- Set of (4) 1 1/8" Casters in Lieu of Standard
- 6" High Legs



Models listed to the applicable UL, CSA and NSF standards by an approved NRTL. Consult the factory or unit data plate for additional information.

#### AVAILABLE CONFIGURATIONS

Model	Control Side Door Style/Hinging	Non Control Side Door Style/Hinging
G26004P	Solid Half/Left-Right	Glass Half/Left-Right
G26005P	Solid Half/Left-Left	Glass Half/Left-Left
G26006P	Solid Half/Right-Left	Glass Half/Right-Left
G26007P	Solid Half/Right-Right	Glass Half/Right-Right
G26014P	Solid Full/Left-Right	Glass Full/Left-Right
G26015P	Solid Full/Left-Left	Glass Full/Left-Left
G26016P	Solid Full/Right-Left	Glass Full/Right-Left
G26017P	Solid Full/Right-Right	Glass Full/Right-Right
G27004P	Glass Half/Left-Right	Solid Half/Left-Right
G27005P	Glass Half/Left-Left	Solid Half/Left-Left
G27006P	Glass Half/Right-Left	Solid Half/Right-Left
G27007P	Glass Half/Right-Right	Solid Half/Right-Right
G27014P	Glass Full/Left-Right	Solid Full/Left-Right
G27015P	Glass Full/Left-Left	Solid Full/Left-Left
G27016P	Glass Full/Right-Left	Solid Full/Right-Left
G27017P	Glass Full/Right-Right	Solid Full/Right-Right

**\*Please refer to the G Series Accessory Kit Guide for precise details. (Form TR35872)**

**-GUARANTEED FOR LIFE CAM-LIFT HINGES**  
**-GUARANTEED FOR LIFE HORIZONTAL WORKFLOW DOOR HANDLES (SOLID DOORS ONLY)**



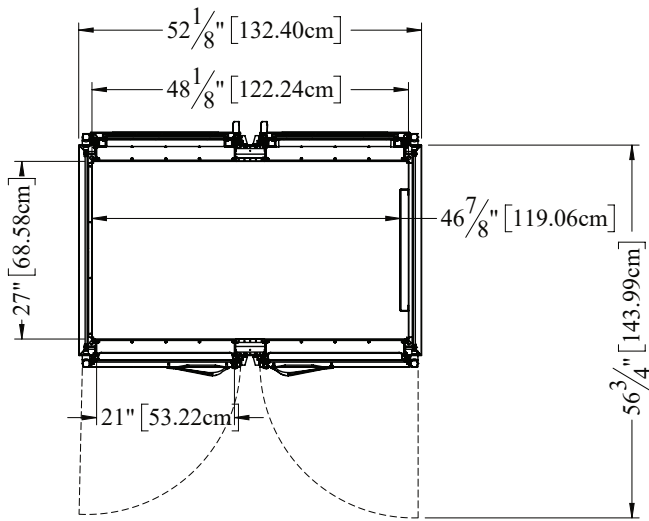
ENERGY STAR® Listed Commercial Refrigerator  
 For full listing visit [energystar.gov](http://energystar.gov)

Approved by \_\_\_\_\_ Date \_\_\_\_\_ Approved by \_\_\_\_\_ Date \_\_\_\_\_

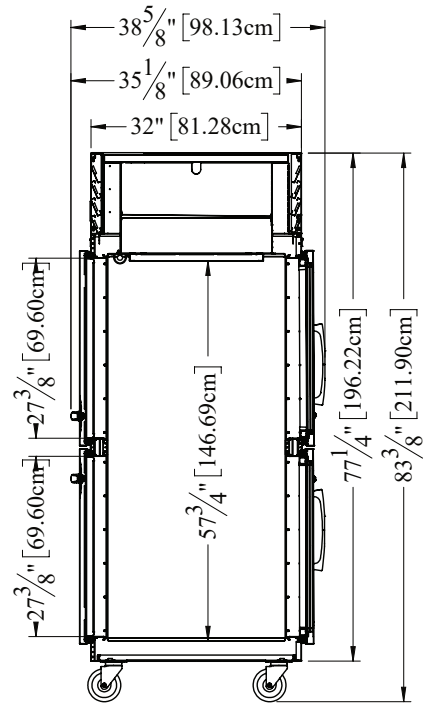
## MODELS:

Half Height Door Models Solid & Glass Door Combinations:  
G26004P, G26005P, G26006P, G26007P

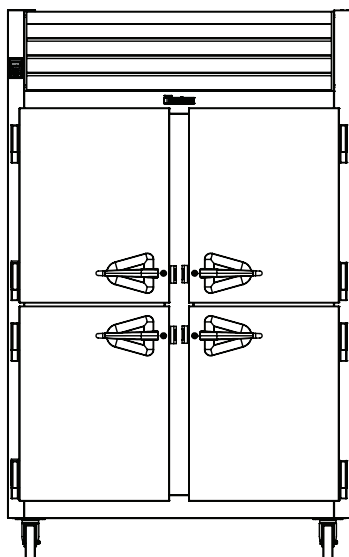
Half Height Door Models Glass & Solid Door Combinations:  
G27004P, G27005P, G27006P, G27007P



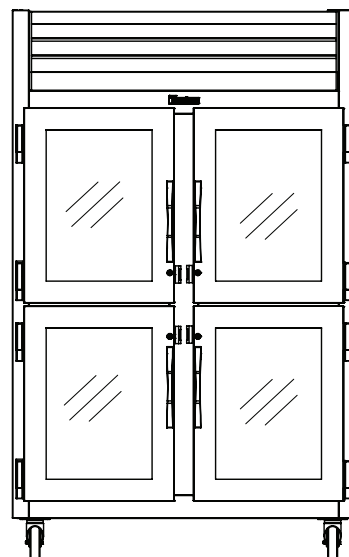
TOP VIEW



SIDE VIEW



ELEVATION



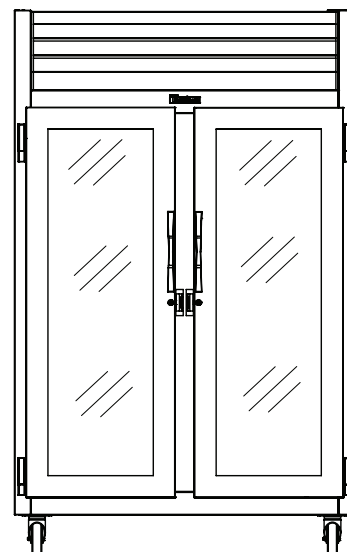
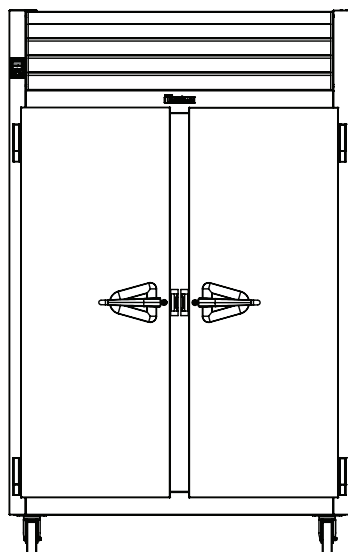
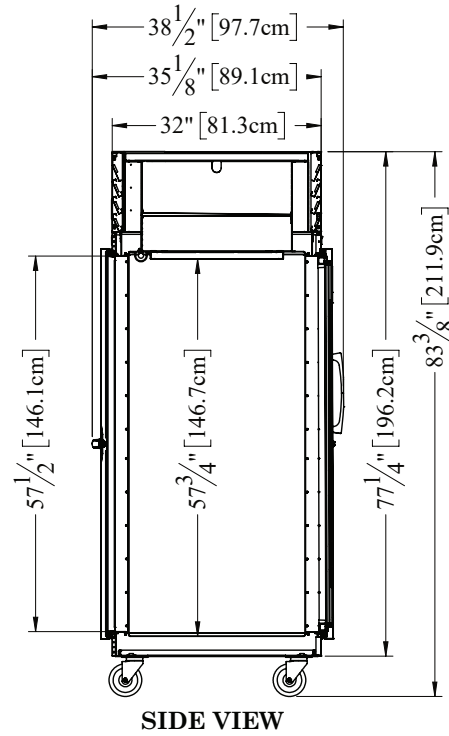
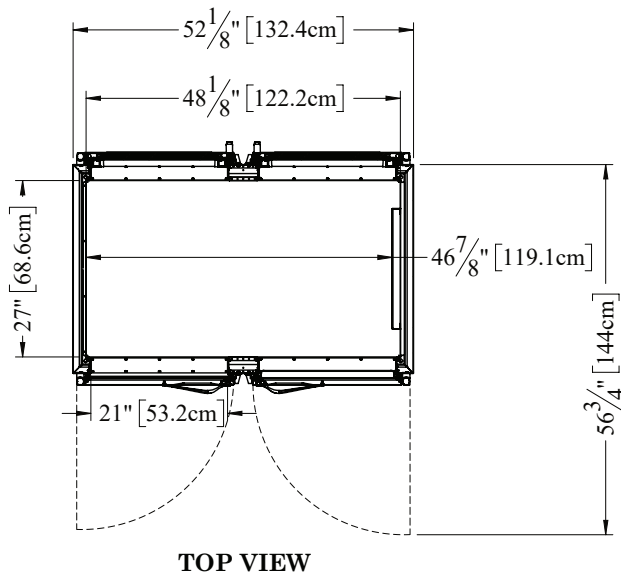
### MODELS:

Full Height Door Models Solid & Glass Door Combinations:

G26014P, G26015P, G26016P, G26017P

Full Height Door Models Glass & Solid Door Combinations:

G27014P, G27015P, G27016P, G27017P



**ELEVATION**



# G SERIES

## 2-Section Refrigerator Pass-Thru Self-Contained Hinged Glass/Solid Door Combinations

### MODELS:

Half Height Door Models Solid & Glass Door Combinations:

G26004P, G26005P, G26006P, G26007P

Half Height Door Models Glass & Solid Door Combinations:

G27004P, G27005P, G27006P, G27007P

Full Height Door Models Solid & Glass Door Combinations:

G26014P, G26015P, G26016P, G26017P

Full Height Door Models Glass & Solid Door Combinations:

G27014P, G27015P, G27016P, G27017P

### EQUIPMENT SPECIFICATIONS

#### CONSTRUCTION, HARDWARE, INSULATION

Cabinet exterior front, louver assembly and doors are constructed of stainless steel. Cabinet sides (including returns), interior and door liners are constructed of anodized aluminum. The exterior cabinet top and bottom are constructed of heavy gauge galvanized steel. A set of four (4) 6" (15 cm) high casters are included.

Doors are equipped with removable plug cylinder locks and guaranteed for life cam-lift, gravity action, self-closing metal, glide hinges with stay open feature at 120 degrees. An external switch is provided to activate the interior LED lighting. Gasket profile and durable long life material simplify cleaning and increase overall gasket life. Anti-condensate heaters are located behind each door opening.

The cabinet is insulated with an average of 2" (5 cm) thick high density, non-CFC, foamed in place polyurethane.

#### SELF-CONTAINED REFRIGERATION SYSTEM

A top mounted, self-contained, refrigeration system using environmentally-friendly, low GWP R-290 refrigerant is conveniently located behind the one piece louver assembly. It features an easy to clean front facing condenser, thermostatic expansion valve, air-cooled hermetic compressor, large, high humidity evaporator coil located outside the food zone and a top mounted non-electric condensate evaporator. A 9' (2.7 m) NEMA cord and 15-5P plug is provided. Standard operating temperature is 34° to 38°F (1° to 3°C).

#### CONTROL

The easy to use water resistant microprocessor control system is supplied standard. It includes a 3-Digit LED Display with both a Fahrenheit or Celsius Temperature Scale Display Capability.

#### INTERIOR ARRANGEMENTS

Standard interior arrangements include three (3) epoxy coated wire shelves per section, mounted on shelf pins, installed at the factory. Shelves are full-width, and do not have any large gaps between them requiring the use of "bridge" or "junior shelves." Recommended load limit per shelf should not exceed 225 lbs. (102kg).

#### DOMESTIC WARRANTY

Both a six year parts and labor warranty and a seven year compressor warranty (self-contained models only) are provided standard.

#### NOTES:

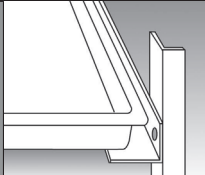
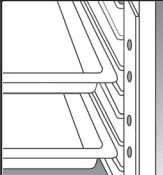
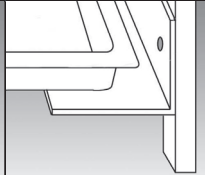
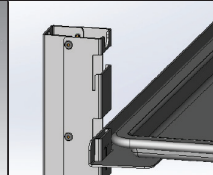
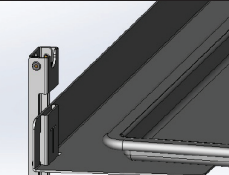
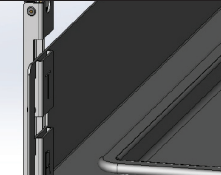
1. Net Capacity cu. ft. = Half Height Door | Full Height Door models.
2. 12" Top clearance preferred for optimum performance & service access.
3. Figure shown reflects the area of standard shelf compliment.
4. KWH/24HR = Kilowatt usage per 24 hours
5. Based on a 90°F ambient and 20°F evaporator.

When ordering please specify: Voltage, Hinging, and Options.

Equipped with one NEMA 5-15P Plug 

MODELS	G260__P & G270__P
<b>DIMENSIONAL DATA</b>	
Net Capacity cu. ft. <sup>1</sup>	49.22 [1393.7 l]   49.75 [1408.8 l]
Length - overall in.	52 1/8" [132.4 cm]
Depth - overall in.	38 1/2" [97.7 cm]
Depth - over body in.	32" [81.3 cm]
Depth - door open 90° in.	56 3/4" [144 cm]
Clear door width in.	21" [53.2 cm]
Clear half-door height in.	27 3/8" [69.6 cm]
Clear full-door height in.	57 1/2" [146.1 cm]
Height - overall on 6" legs in. <sup>2</sup>	83 3/8" [211.9 cm]
No. Standard Shelves	6
Shelf Area sq. ft. <sup>3</sup>	34.6 [3.21 sq m]
<b>ELECTRICAL DATA</b>	
Voltage   Plug	115/60/1   NEMA 5-15P (attached)
Full Load Amperes   KWH/24HR <sup>4</sup>	7.9   3.91
<b>REFRIGERATION DATA</b>	
Refrigerant	R-290
Refrigerant Charge oz.	4.5 [127.6 g]
BTU/HR   H.P. <sup>5</sup>	4100   3/4 HP
<b>SHIPPING DATA</b>	
Length - Crated in.	62" [157 cm]
Width - Crated in.	42" [107 cm]
Height - Crated in.	85" [216cm]
Volume Crated cu. ft.	128 [3625 l]
Weight - Crated lbs.	574 [260 kg]

### OPTIONAL ACCESSORY TRAYSLIDE VERSATILITY CHART

TRAYSLIDE DRAWINGS						
TRAYSLIDE OFFERING	#1 (1) 18" x26" or (2) 14"x18"	#4 (Rod Type) (1) 18" x26"	Universal (1) 18" x26" or (2) 14"x18" or (2) 12"x20"	#1 EZ-Change (1) 18" x26" or (2) 14"x18"	Universal EZ-Change (1) 18" x26" or (2) 14"x18" or (2) 12"x20"	HD Universal EZ-Change (1) 18" x26" or (2) 14"x18" or (2) 12"x20"
SPACING CAPACITY DOOR SIZE	2" 28 Pairs Full Door & 13 Half 3" 19 Pairs Full Door & 09 Half 4" 14 Pairs Full Door & 07 Half 5" 11 Pairs Full Door & 05 Half	1 1/2" 38 Pairs Full Door [2 Pair] 2" 18 Pairs Half Door [1 Pair]	4" 14 Pairs Full Door & 06 Half 4" 14 Pairs Full Door & 07 Half <sup>2</sup> 5" 11 Pairs Full Door & 05 Half 6" 09 Pairs Full Door & 04 Half	2" 26 Pairs Full Door & 12 Half 4" 13 Pairs Full Door & 06 Half	2 1/4" 22 Pairs Full Door & 11 Half 4 1/2" 11 Pairs Full Door & 05 Half	4 1/2" 11 Pairs Full Door & 05 Half 9" 05 Pairs Full Door & 02 Half

- Upper Half Height Door<sup>1</sup>
- Lower Half Height Door<sup>2</sup>

CONTINUED PRODUCT DEVELOPMENT MAY NECESSITATE SPECIFICATION CHANGES WITHOUT NOTICE.