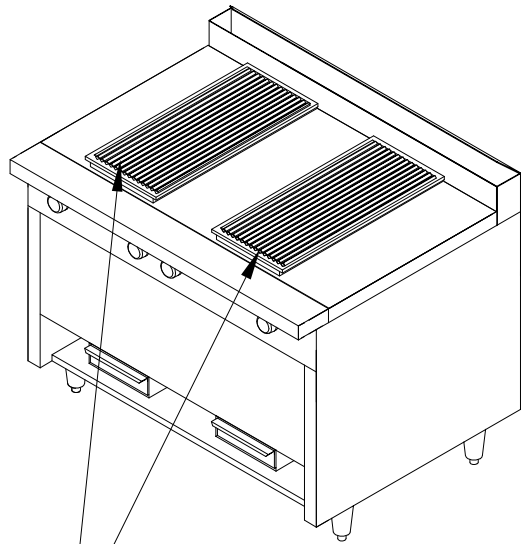
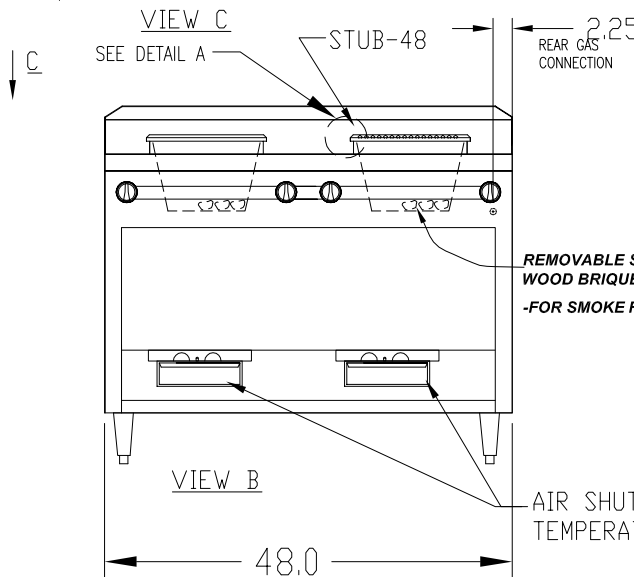
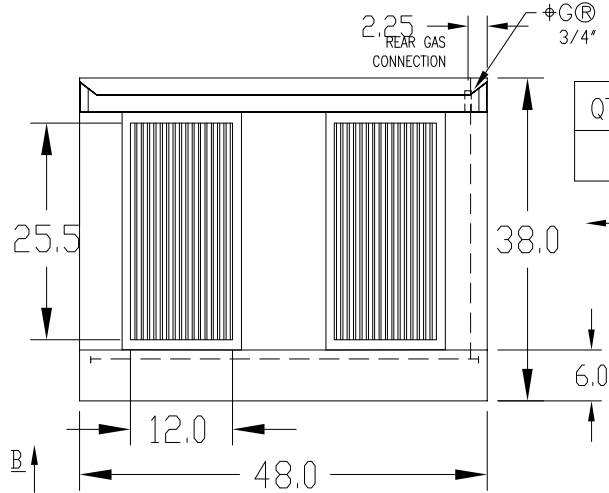


THIS DRAWING IS THE PROPERTY OF JADE PRODUCTS CO. NO PART OF THIS DOCUMENT MAY BE COPIED OR USED WITHOUT THE WRITTEN PERMISSION OF JADE PRODUCTS CO.

REVISIONS					
REV	DESCRIPTION	ECN	BY	DATE	APPROVED
C	UPDATED	XX	SMW	02.02.09	



SQUARE BAR GRATES

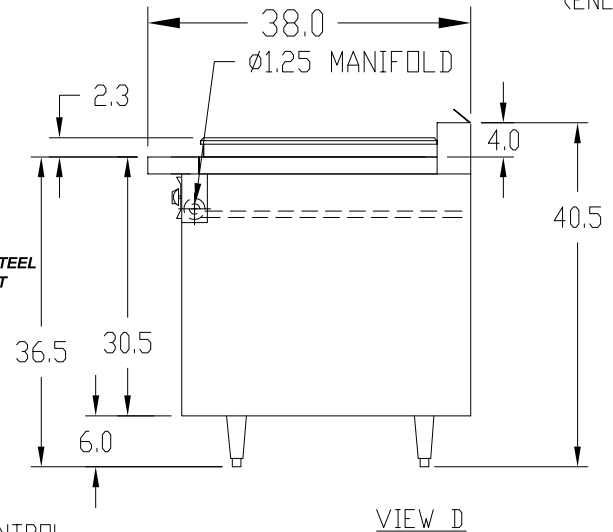


QTY.	MODEL	DESCRIPTION	BTU/UNIT	AMP.
1	JTRH-48SB	SATAY, INFRARED BROILER	140,000	N/A

SQUARE BAR GRATES

COOL ZONE OVERHANG

DETAIL A (ENLARGED)



GAS TYPE:	
ELEVATION:	
TO BE SPECIFIED BEFORE MFG.	

1. ⌀G@ 3/4" GAS REGULATOR & GAS CONNECTION
2. GAS SHUT-OFF VALVES AND CONNECTIONS SUPPLIED BY OTHERS.
3. ALL ELECTRICAL WORK (INSTALLATIONS AND CONNECTIONS) MUST BE PROVIDED BY OTHERS (BY CERTIFIED ELECTRICIAN)



UNLESS OTHERWISE NOTED DIMENSIONS ARE IN INCHES AND TOLERANCES: .XX±.03 .XXX±.015. ANGLES ±1°

MATERIAL	-	DRAWN	SMW	01.26.06
		CHECKED		
FINISH	-	APPROVED		

DESC	SATAY 48 UNDERFIRED INFRARED BROILER		
FOR	for		
SIZE	A	DWG NO	JTRH-48SB
SCALE	0.060	SHEET	1 OF 1