



“WE MAKE THE KITCHEN BETTER!”

ATOSA USA, INC.

Toll Free: 855-855-0399 Email: info@atosausa.com

www.atosa.com | www.atosausa.com

California, Colorado, Florida, Georgia, Illinois, New Jersey, Ohio, Texas, Washington

Top Mount Reach-In Freezers

Standard Features

- Top mount compressor with environmentally friendly R290 refrigerant
- Stainless steel exterior & interior
- Electronic temperature controller
- Maintains temperatures between -8°F – 0°F
- LED interior light(s)
- Recessed door handle(s)
- Door lock(s) standard
- Magnetic door gasket(s) standard for positive door seal
- Pre-installed casters
- Three (3) pre-installed shelves per section
- Down duct refrigeration to ensure even distribution of air
- Wall bracket standard for MBF15FSGR(L) and is required for use

Optional Accessories

- Extra shelves – includes 4 shelf clips per shelf
 MBF15FSGR(L) shelf part #: R060040000003
 MBF8531GR shelf part #: W0402389
 MBF8001GR shelf part #: W0402389
 MBF8002GR shelf part #: W0402385
 MBF8003GR shelf part #: W0402385 left/right shelf, part #: W0402386 middle shelf

For the best results of food preservation we recommend setting your freezer between -8°F to 0°F

1. Don't forget to leave the unit some room to breathe!
2. Please clean the condenser frequently to give the unit more fresh air.



2 YEAR PARTS AND LABOR WARRANTY
5 YEAR COMPRESSOR PART WARRANTY

MODELS:

MBF15FSGR / MBF15FSGRL / MBF8531GR
MBF8001GR / MBF8002GR / MBF8003GR



MBF15FSGR MBF15FSGRL MBF8531GR



MBF8001GR MBF8002GR



MBF8003GR



MBF8001GR
MBF8002GR





"WE MAKE THE KITCHEN BETTER!"

ATOSA USA, INC.

Toll Free: 855-855-0399 Email: info@atosausa.com

www.atosa.com | www.atosausa.com

California, Colorado, Florida, Georgia, Illinois,

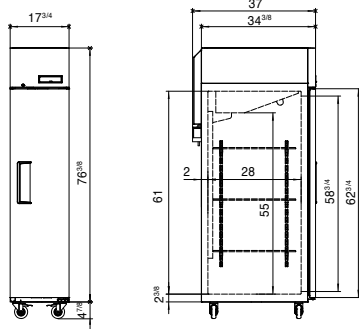
New Jersey, Ohio, Texas, Washington

SPECIFICATIONS

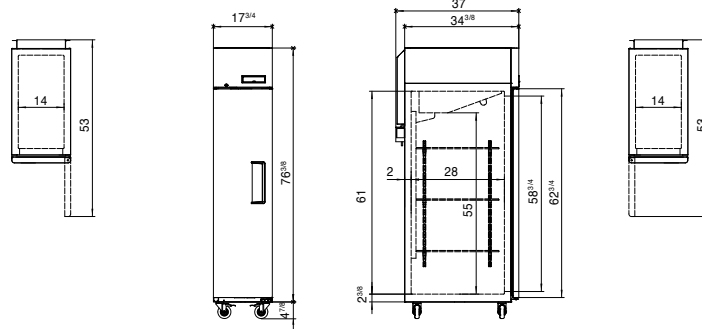
Models	Door	Capacity (Cu.Ft.)	Shelves	Casters (inch)	Rated Current (A)	Voltage (V/Hz/Ph)	HP	Refrigerant	Exterior Dimensions (inch)	Net Weight (lb)	Gross Weight (lb)
MBF15FSGR	1	13	3	4	6.3	115/60/1	1/2	R290	17 ^{3/4} ×37×81 ^{1/4}	198	277
MBF15FSGRL	1	13	3	4	6.3	115/60/1	1/2	R290	17 ^{3/4} ×37×81 ^{1/4}	198	277
MBF8531GR	1	12.57	3	4	6.3	115/60/1	1/2	R290	25 ^{5/8} ×26×76 ^{3/8}	232	276
MBF8001GR	1	21.4	3	4	6.3	115/60/1	1/2	R290	28 ^{3/4} ×31 ^{3/4} ×81 ^{1/4}	236	269
MBF8002GR	2	43.2	6	4	8.6	115/60/1	3/4	R290	51 ^{3/4} ×31 ^{3/4} ×81 ^{1/4}	353	403
MBF8003GR	3	64.9	9	4	6.2	208-230/115/60/1	1	R290	77 ^{3/4} ×31 ^{3/4} ×81 ^{1/4}	489	569

PLAN VIEW

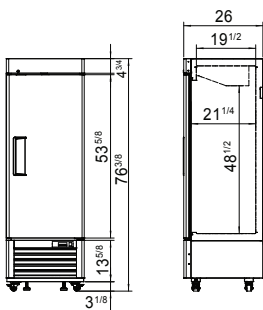
MBF15FSGR



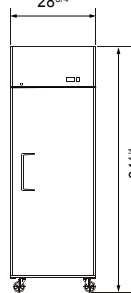
MBF15FSGRL



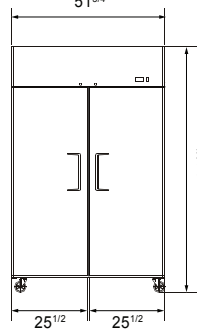
MBF8531GR



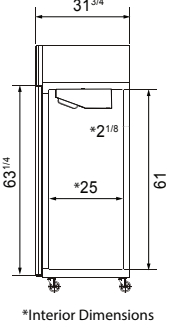
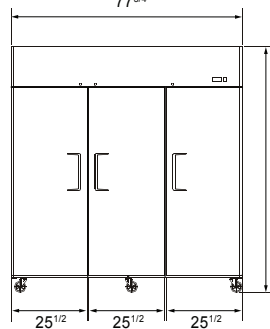
MBF8001GR



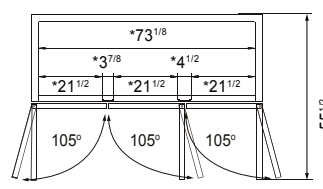
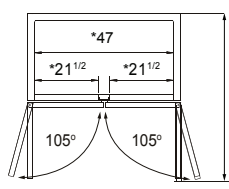
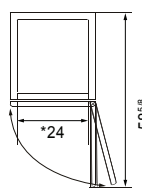
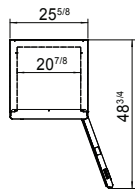
MBF8002GR



MBF8003GR



*Interior Dimensions



SELF-CLOSING AND STAY OPEN DOOR FEATURE

Casters

Epoxy shelves

Door lock

Down duct

Temperature control

MBF8003GR

MBF15FSGR
MBF8531GR
MBF8001GR
MBF8002GR

