

"PRB-2" POT RACKS - TABLE MOUNT

Fits 36"-72" Tables, Stainless Steel Construction w/Stainless Steel Hooks

FEATURES:

- Type 300 Stainless Steel
- All Racks Provided With Type 300 Stainless Steel Hooks (See Table For Quantity Per Size)
- Welded Setup
- Standard Table Mount

SPECIFICATIONS:

- Made Of 3/16"x2" Stainless Steel Flat Bar
- Uprights: 1-5/8" O.D. Round Tube, 16GA Type 300 Stainless Steel

CERTIFICATIONS:



"PRB" POT RACKS

MODEL	# OF UPRIGHTS	TABLE LENGTH	LENGTH	# OF HOOKS	WT. (LBS)
PRB01A	2	36"	31-1/4"	9	21
PRB01	2	48"	43-1/4"	12	25
PRB02	2	60"	55-1/4"	15	29
PRB03	2	72"	67-1/4"	18	36

ALL DIMENSIONS ARE TYPICAL. TOLERANCE +/- .500". JOHN BOOS & CO. RESERVES THE RIGHT TO CHANGE SPECIFICATIONS WITHOUT NOTICE.

DETAILED SPECIFICATIONS

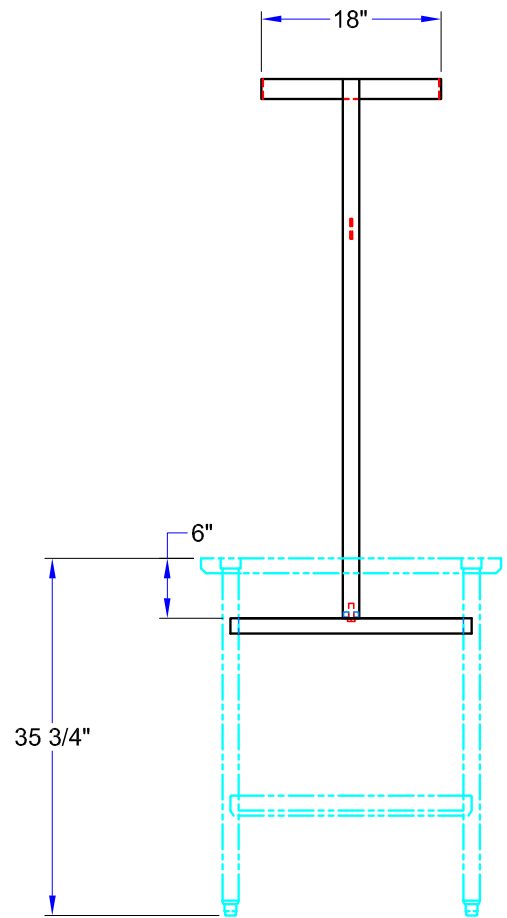
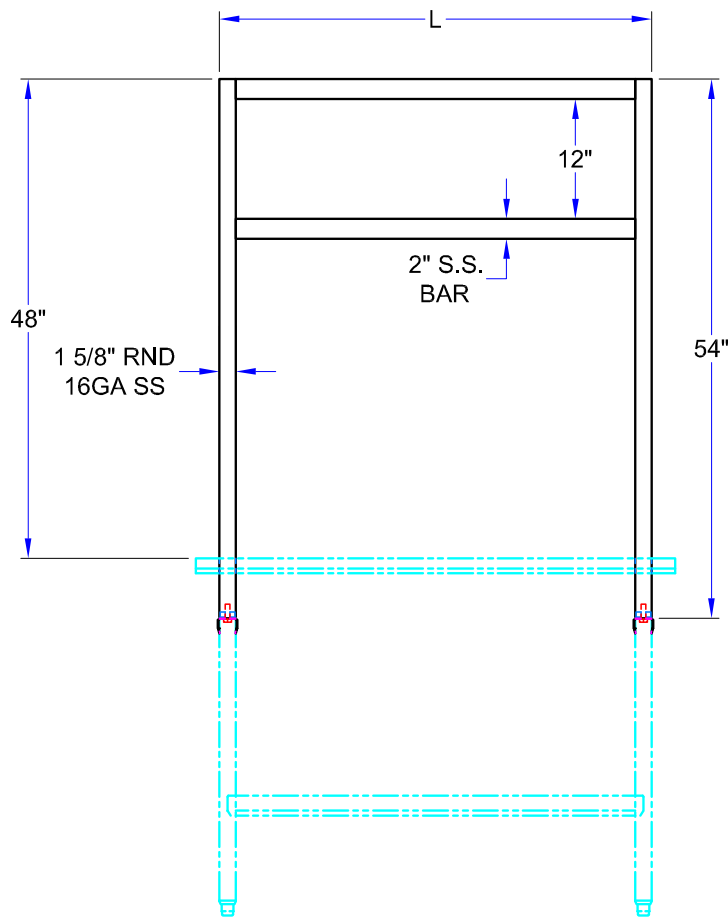
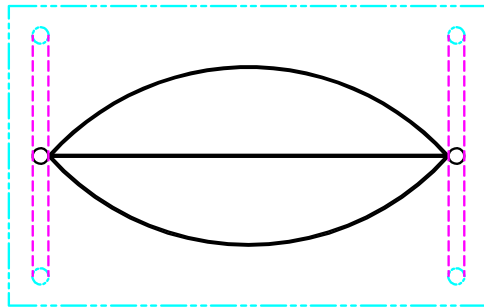


TABLE NOT INCLUDED

"PRB" POT RACKS

MODEL	# OF UPRIGHTS	TABLE LENGTH	LENGTH	# OF HOOKS	WT. (LBS)
PRB01A	2	36"	31-1/4"	9	21
PRB01	2	48"	43-1/4"	12	25
PRB02	2	60"	55-1/4"	15	29
PRB03	2	72"	67-1/4"	18	36

ALL DIMENSIONS ARE TYPICAL. TOLERANCE +/- .500". JOHN BOOS & CO. RESERVES THE RIGHT TO CHANGE SPECIFICATIONS WITHOUT NOTICE.