



A family company manufacturing in the USA

www.glastender.com



C2SB48
with compressor left,
stainless steel doors,
and top



Intertek

EP 5016978

Energy Performance Verified /
Rendement Énergétique Vérifié



Intertek Intertek

4004503

Conforms to NSF/ANSI STD 7 and
UL STD 471

Certified to CSA STD C22.2 No. 120

*Listed to NSF Standard 7 for closed
container products.

Standard Features

- Self-contained
- Stainless steel interior
- Locking door(s)
- LED interior lighting
- Heated mullion to minimize condensation

Project: _____	AIA# _____
Item #: _____ Qty: _____	SIS# _____
Model #: _____	

Coolers, Two Zone, Side Serviced, Bar Profile

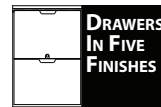
C2SB

C2SB36, C2SB44, C2SB48

CONFIGURATION HIGHLIGHTS



**DOORS
IN NINE
FINISHES**



**DRAFT
BEVERAGE
COMPATIBLE**

Configurable Options

Temperature:

- Beer/White wine -
34°F to 40°F / 50°F to 55°F
- Beer/Red wine -
34°F to 40°F / 60°F to 65°F
- White/Red wine -
50°F to 55°F / 60°F to 65°F

Refrigeration Compartment

Location:

- Left or Right

Refrigeration Compartment

Cover Finish:

- Black vinyl-clad
- Stainless steel
- Jeweled stainless

Door Style & Finish (specify per door section):

- Black vinyl-clad
- Stainless steel
- Jeweled stainless
- Laminated
- Unlaminated
- Glass, black vinyl-clad
- Glass, stainless steel
- Glass, jeweled stainless
- Glass, laminated

Drawer Style & Finish:

- Black vinyl-clad
- Stainless steel
- Jeweled stainless
- Laminated
- Unlaminated

Door Hinge Location (specify

for each door):

- Left or Right

Door Handle:

- Signature (drawers
excluded)
- Pull-tab
- Tube

Shelving (specify per door section, wine shelves not available on 12" door opening models):

- Three adjustable, coated-
wire shelves
- Keg Rack
- Pull-out wine shelves:
 - » one upright and three
horizontal storage
combination
 - » two upright storage
 - » five horizontal storage
or six if not next to
compressor compartment

Top Style:

- No finished top
- Stainless top

Left and Right Side Finish:

- Black vinyl-clad
- Stainless steel

Back Finish:

- Galvanized steel
- Stainless steel

LED Lighting Style:

- Bright white (7,000k)
- Warm white (3,500k)
- Amber (2,700k)
- Blue

See page 4 for direct draw draft
beverage towers and accessories

Glastender, Inc. • 5400 N Michigan Rd • Saginaw, MI • 48604-9780
989.752.4275 • 800.748.0423 • Fax 989.752.4444
www.glastender.com

Approval/Notes:

Specifications subject to change without notice. For current specifications please visit our website.

Coolers - Two Zone, Side Serviced, Bar Profile

Specifications

		C2SB36	C2SB44	C2SB48
Dimensions	Length	36"	44"	48"
	Number of Sections	2	2	2
	Door Opening	12"	16"	18"
Electrical	Electrical Supply	120V, 1 phase, 60 Hz, dedicated 15A circuit required		
	Full Load Amps	2.75		
	Plug Type	8 foot NEMA 5-15P grounded cord and plug which exits the back of refrigeration compartment*		
Refrigeration	Refrigerant	R290 - 105 grams, 3.7 oz., 0.23 pounds		
	Compressor	Reciprocating, 1/8 HP, 1,000 BTUH, 0.08 Tons		
	Heat Rejection	1126 BTU/hr		
Operating Range		34°F (1°C) to 65°F (18°C)		
Plumbing		Automatic condensate evaporator; no drain connection required †		
Weight Bearing Capacity		Countertops and other accessories should not exceed 500 pounds per door		

Materials

- Stainless steel parts include: exterior sub-top, interior, front of cabinet, hinges, hinge and lock brackets, and optional legs
- Black vinyl-clad steel parts include: standard sides, doors and compressor cover
- Galvanized steel parts include: back and bottom
- Zinc plated CR steel parts include: leg sockets



† Building conditions outside the guidelines of ASHRAE 55 and ASHRE 62.1 may need to be plumbed to a drain.

Capacities

		C2SB36	C2SB44	C2SB48
12 oz. bottles, cases		6.5	9.7	12.5
750ml wine bottles		63	109	109
1/2 barrel kegs		N/A	N/A	2
1/6 barrel kegs		4	4	6
Capacity values below are per door/drawer section (750ml wine bottles)				
Next to compressor	Drawers	33	43	54
	Upright pull-out	N/A	46	56
	Horizontal pull-out	N/A	30	35
	Combination pull-out	N/A	36	43
Not next to compressor	Drawers	42	56	70
	Upright pull-out	N/A	56	68
	Horizontal pull-out	N/A	36	42
	Combination pull-out	N/A	46	55



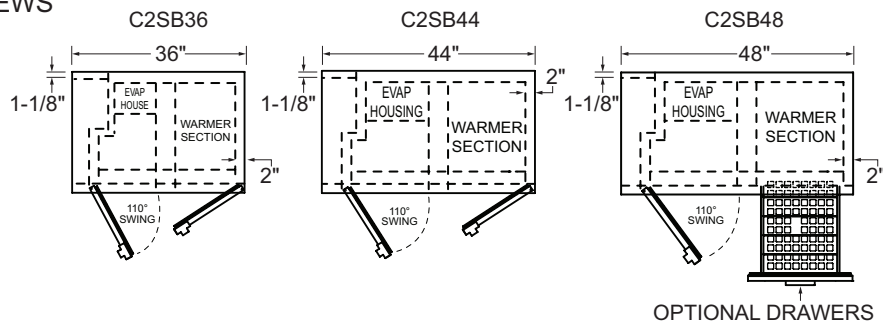
5400 N Michigan Rd • Saginaw, MI • 48604-9780
 989.752.4275 • 800.748.0423 • Fax 989.752.4444
 www.glastender.com

Printed in USA

Coolers - Two Zone, Side Serviced, Bar Profile

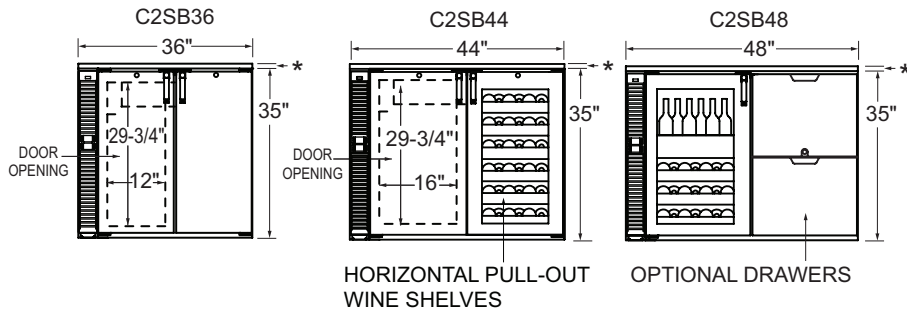
Drawings

PLAN VIEWS



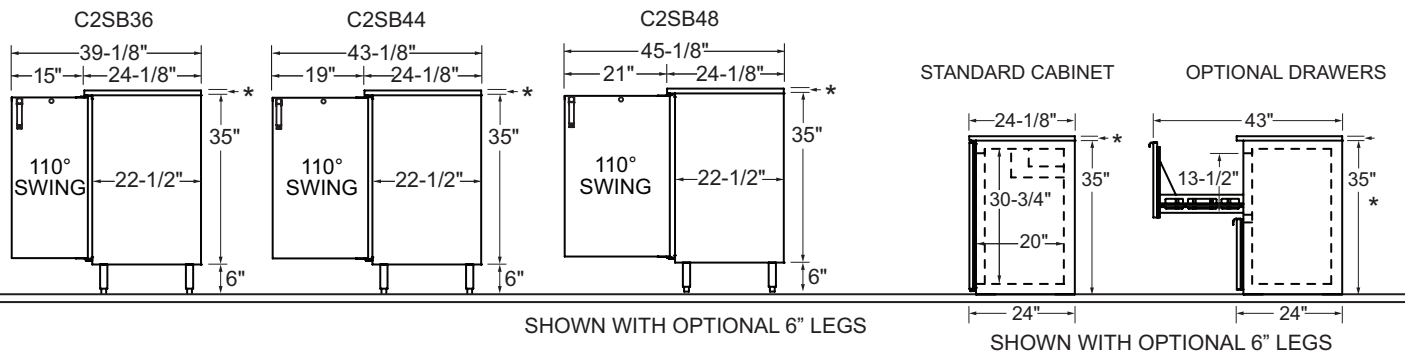
FRONT VIEWS

* ADD 1" HEIGHT TO TOP FOR FACTORY INSTALLED TOP

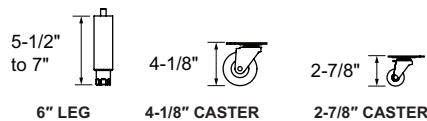


SIDE VIEWS

ADD 1" HEIGHT TO TOP FOR FACTORY INSTALLED TOP



OPTIONAL LEGS AND CASTERS



Direct Draw Draft Beverage Towers and Accessories



Configuring Bar Profile Coolers for Draft Beverage Dispensing

All Glasterder bar profile coolers can be configured for draft beverage dispensing. Please note that a minimum 17" wide door opening is required for full size (i.e., 16" diameter) 1/2 barrel kegs. Refer to the capacity statements in the Product Directory or Specification Sheet for the sizes and quantities of kegs each unit will hold.

Direct Draw Draft Beverage Towers

Glasterder Beverage Towers include the stainless steel faucets and shanks necessary to dispense keg beer, wine, soda, coffee, or cocktails. See individual price pages for complete information.

Tee Tower shown
See individual tower
spec sheets for
complete information

Look for the Draft Beer
Compatible logo

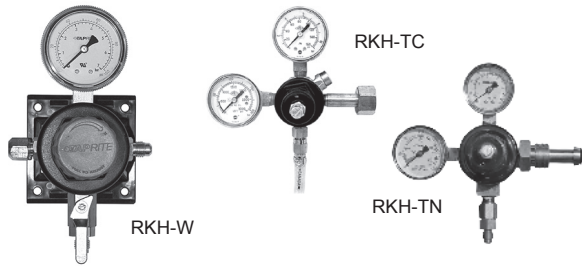


**Draft Beverage
Compatible**

HIGH PRESSURE REGULATOR KITS

High pressure regulators reduce the gas pressure from the primary source. A tank mount regulator attaches directly to a gas cylinder, while a wall mount regulator splices into gas tubing when the gas supply is used for more than one system. RKH-TN regulator kits are used if pre-blended CO₂ and nitrogen or pure nitrogen cylinders are being used. All high pressure regulator kits include 50 feet of braided nylon gas tubing.

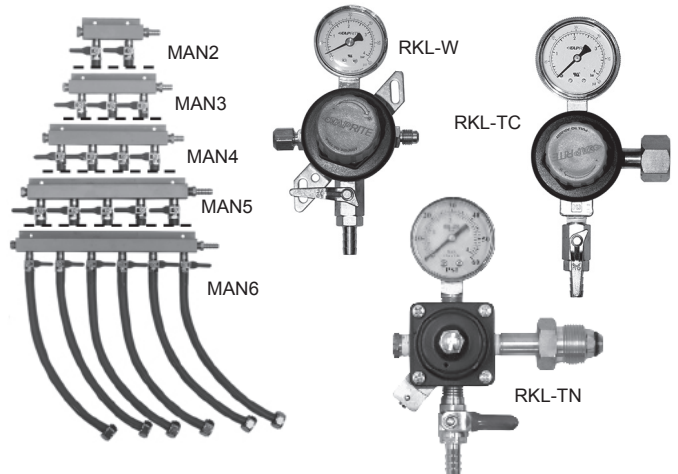
MODEL	DESCRIPTION	WGT
RKH-W	Wall mount, CO ₂ or Nitrogen, single gauge	15#
RKH-TC	Tank mount, CO ₂ , double gauge	15#
RKH-TN	Tank mount, Nitrogen, double gauge	15#



LOW PRESSURE REGULATOR KITS

Low pressure regulator kits connect to the gas tubing exiting a high pressure regulator. If a 5 pound gas cylinder will be kept inside the cooler, a single gauge tank mounted RKL-TC or -TN will be required depending on the gas being used. All low pressure regulator kits include 6 feet of red gas tubing. For installations requiring more than one keg on tap, also order the appropriate size manifold kit. All manifold kits include 6 feet of red gas tubing per product, and the clamps required for connecting to keg couplers (sold separately).

MODEL	DESCRIPTION	WGT
RKL-W	Wall mount, CO ₂ or Nitrogen, single gauge	7#
RKL-TC	Tank mount, CO ₂ , single gauge	7#
RKL-TN	Tank mount, Nitrogen, single gauge	7#
MAN2	Two product manifold kit	2#
MAN3	Three product manifold kit	3#
MAN4	Four product manifold kit	4#
MAN5	Five product manifold kit	5#
MAN6	Six product manifold kit	6#



ADDITIONAL ACCESSORIES

MODEL	DESCRIPTION	WGT
03004240	1/2" ID black drain line, per foot	N/A
05000400	5/16" ID red vinyl air line, per foot	N/A
05000386	1/4" ID nylon braided gas tubing, per foot	N/A
05001066	D system keg coupler w/ss probe	2#
05001026	D system keg coupler, low profile	2#
05003763	S system keg coupler w/ss probe, for select imports	2#
05002019	U System Keg Coupler, stainless probe, for Guinness & Harp	2#
05000368	Lock for beer faucet	2#
05000636	5# CO ₂ tank (unfilled)	15#
LCK	Line cleaning kit	3#
06007084	Drain bottle	2#



Tower Cooling Kits

Direct draw beverage towers are chilled by air from inside the host cooler. This is especially important for draft beer, as warm faucets cause the beer to foam.

TOWER COOLING KITS

MODEL	DESCRIPTION	WGT
TCK12-1	For 1 & 2-door coolers w/ one tower column	3#
TCK12-2	For 1 & 2-door coolers w/ two tower columns	6#
TCK34-1	For 3 & 4-door coolers w/ one tower column	8#
TCK34-2	For 3 & 4-door coolers w/ two tower columns	11#
TCKR-1	For remote coolers w/ one tower column	3#
TCKR-2	For remote coolers w/ two tower columns	6#

Glasterder

5400 N Michigan Rd • Saginaw, MI • 48604-9780
989.752.4275 • 800.748.0423 • Fax 989.752.4444
www.glasterder.com

Printed in USA