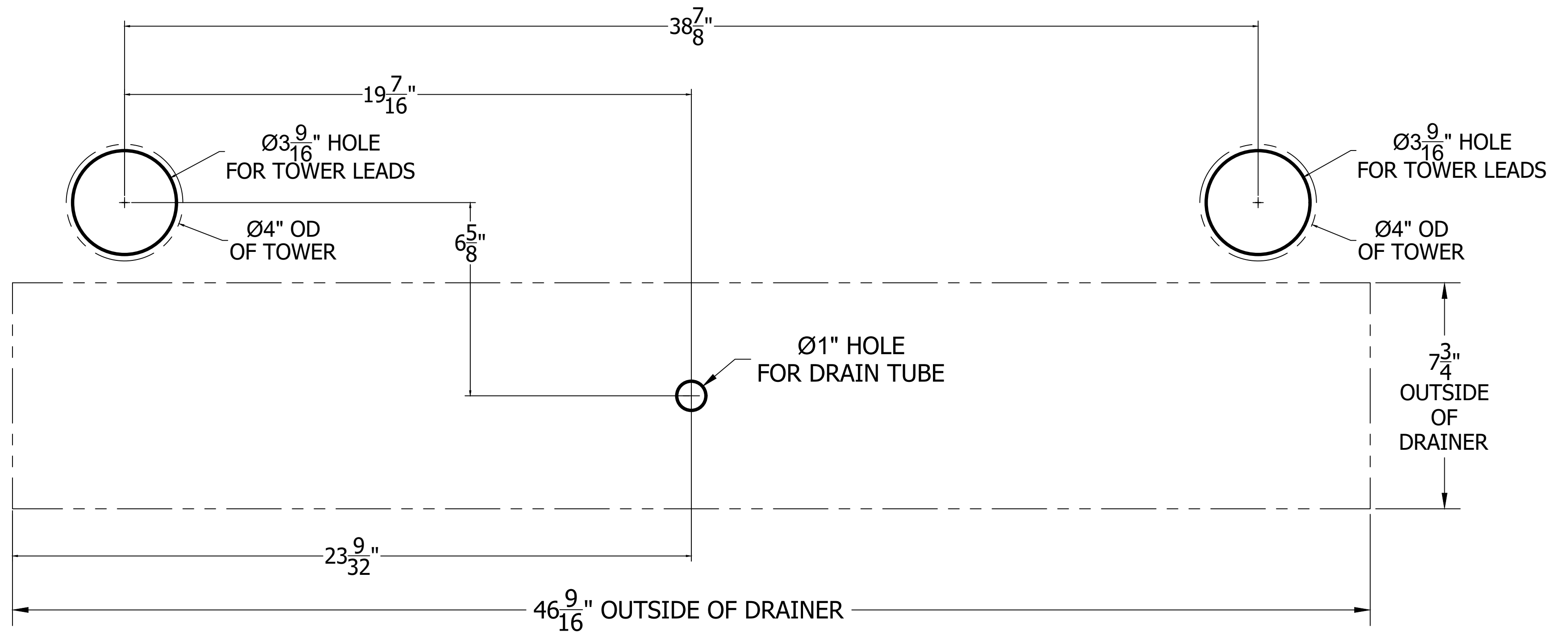
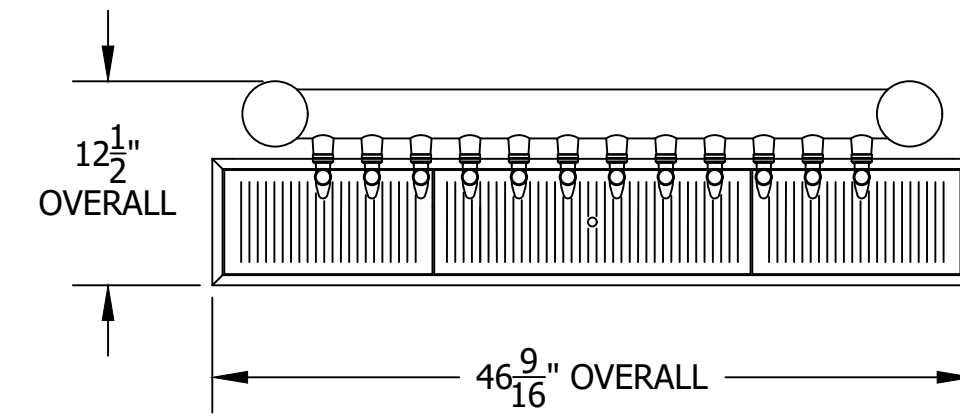
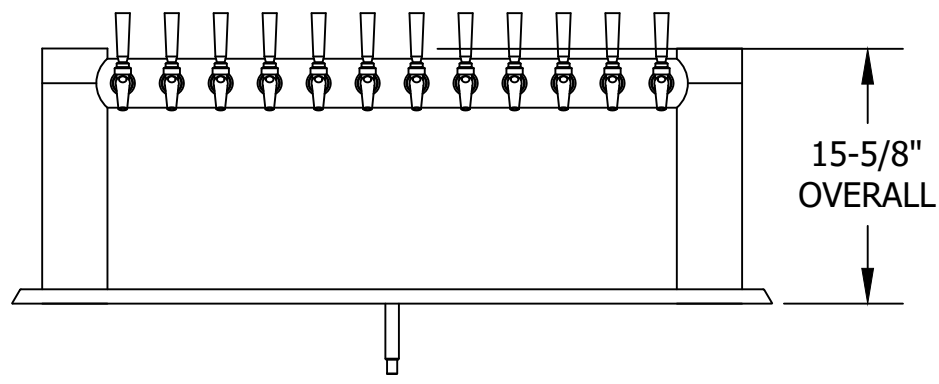


4072, AVENUE 12-FAUCET H-PIPE TOWER & C18660 TOP MOUNTED DRAINER

WITH 630SS FAUCETS MOUNTING TEMPLATE



****DRAWING NOT TO FULL SCALE****

PERLICK CORPORATION
MILWAUKEE, WI 53223

PROPERTY OF THE PERLICK CORP.
NOT TO BE COPIED OR USED DETRIMENTAL TO OUR INTERESTS.

SCALE 1:3
DR. CGL DATE 4/5/2021

LAST MODIFIED
6/24/2021

1030660