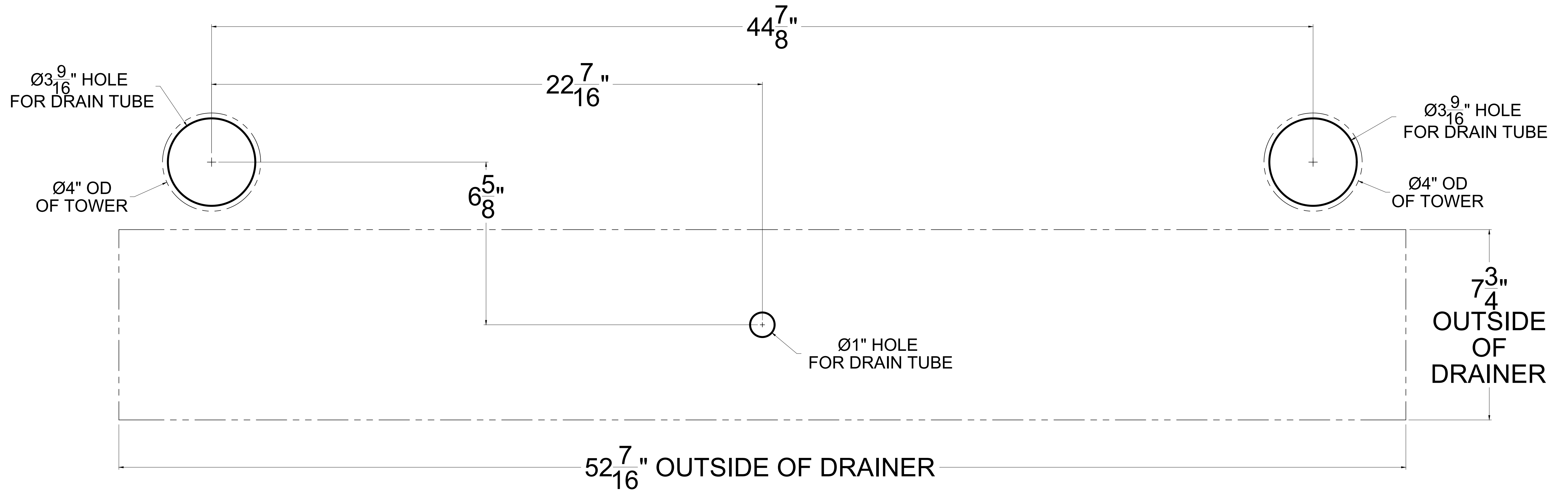
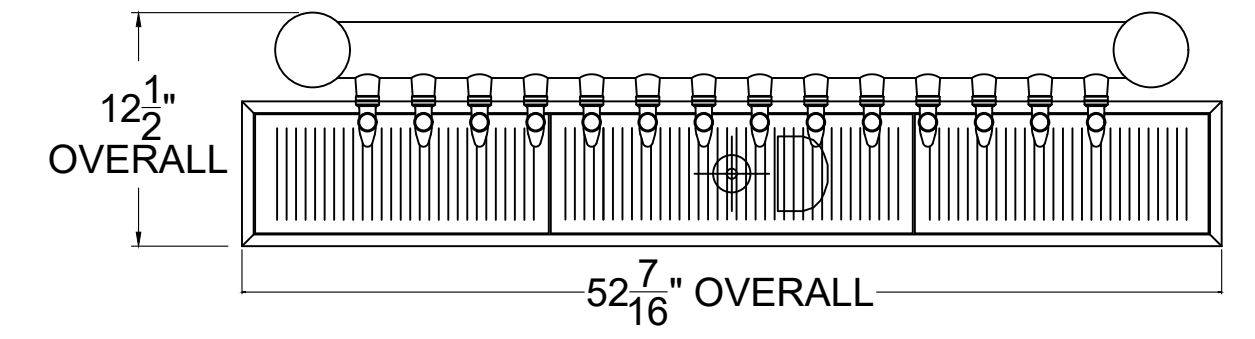
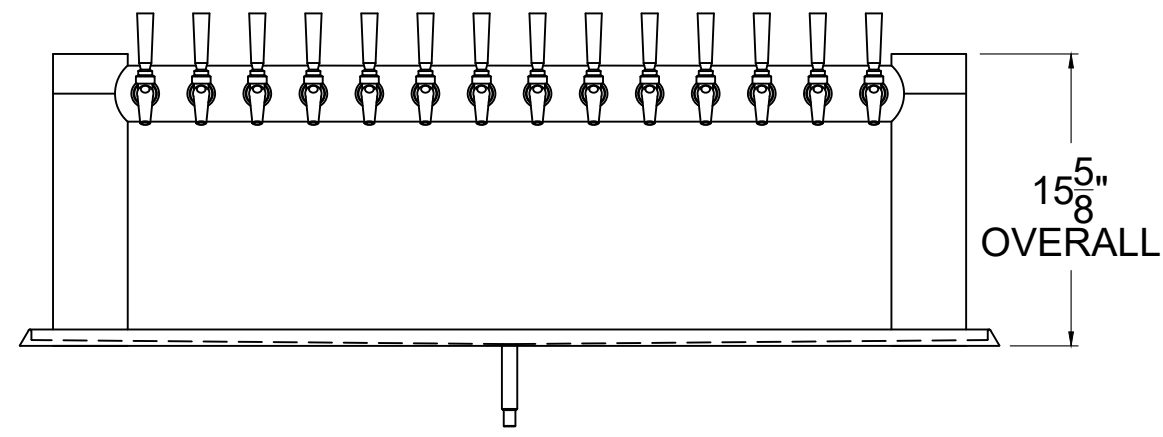


**4072, AVENUE 14-FAUCET H-PIPE TOWER & C18663
WITH 630SS FAUCETS
MOUNTING TEMPLATE**



DRAWING NOT TO SCALE