



T&S BRASS AND BRONZE WORKS, INC.

2 Saddleback Cove / P.O. Box 1088
Travelers Rest, SC 29690

Model No.

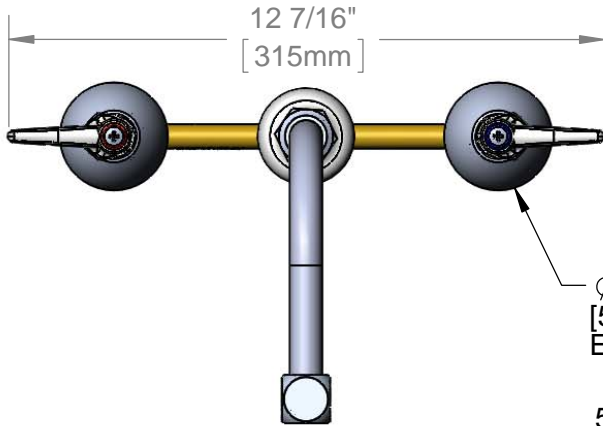
B-2386

Item No.

Travelers Rest, SC: 800-476-4103 • Simi Valley, CA: 800-423-0150 • Fax: 864-834-3518 • www.tsbrass.com



ADA Compliant



12 7/16"
[315mm]

Ø2 1/4"
[57mm]
Escutcheons

This Space for Architect/Engineer Approval

Job Name _____ Date _____

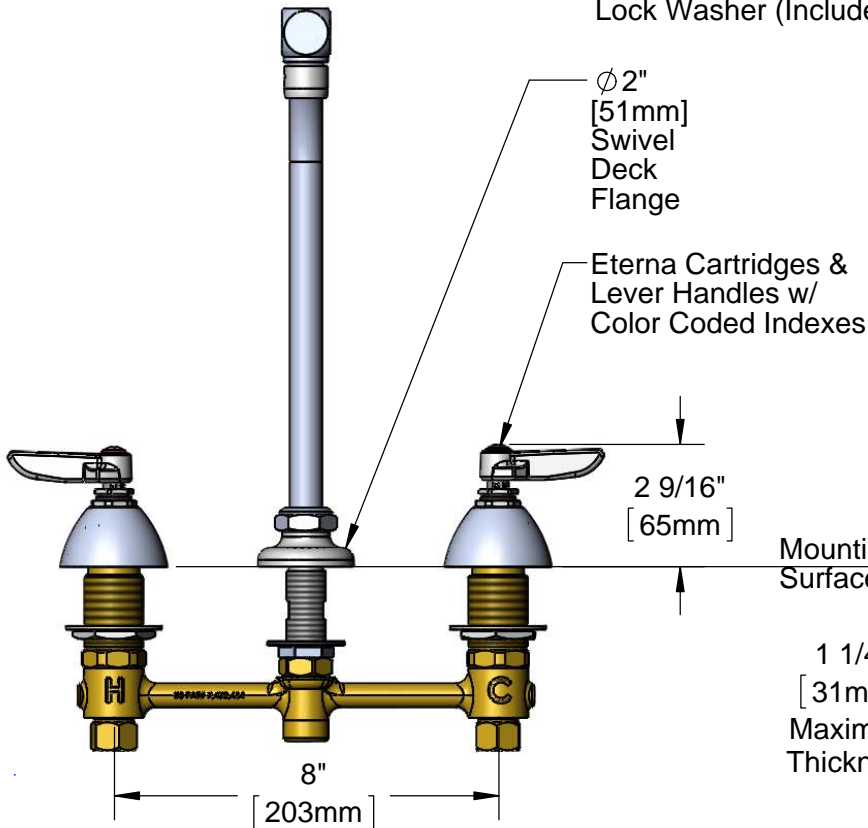
Model Specified _____ Quantity _____

Customer/Wholesaler _____

Contractor _____

Architect/Engineer _____

5 1/2" Swivel Gooseneck w/
B-0199-01
2.2 GPM Aerator.
Rigid Conversion
Requires 014200-45
Lock Washer (Included)



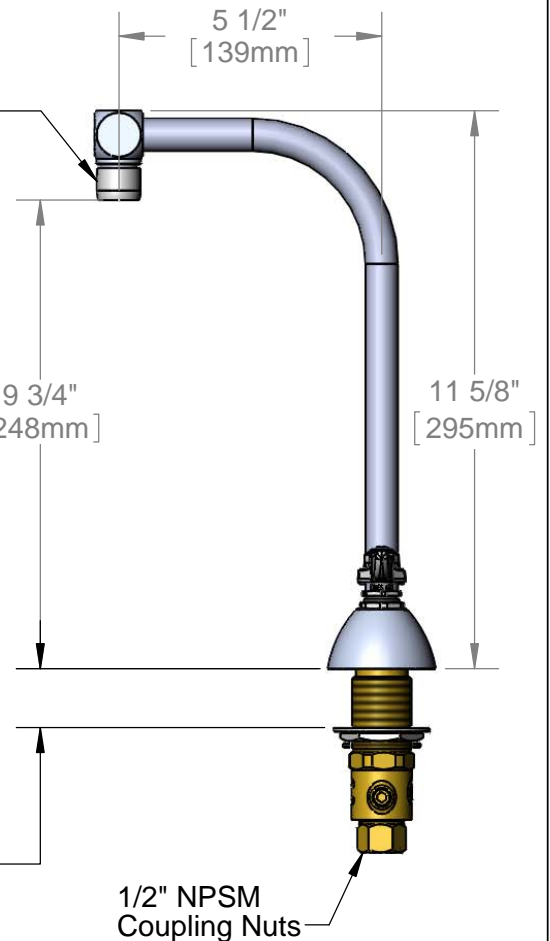
Ø2"
[51mm]
Swivel
Deck
Flange

Eterna Cartridges &
Lever Handles w/
Color Coded Indexes

2 9/16"
[65mm]

Mounting
Surface

1 1/4"
[31mm]
Maximum
Thickness



5 1/2"
[139mm]

9 3/4"
[248mm]

11 5/8"
[295mm]

1/2" NPSM
Coupling Nuts

Rough-In Requirement:
Ø1" [25mm] for Center Shank
Ø1-1/2" [38mm] for Hot/Cold Side

Product Specifications:
EasyInstall 8" CWS Deck Mount Mixing Faucet, Eterna Cartridges,
Lever Handles, 5 1/2" Swivel Gooseneck, 2.2 GPM Aerator

Product Compliance:
ASME A112.18.1 / CSA B125.1
NSF 61 - Section 9
NSF 372 (Low Lead Content)
ANSI A117.1 (ADA)

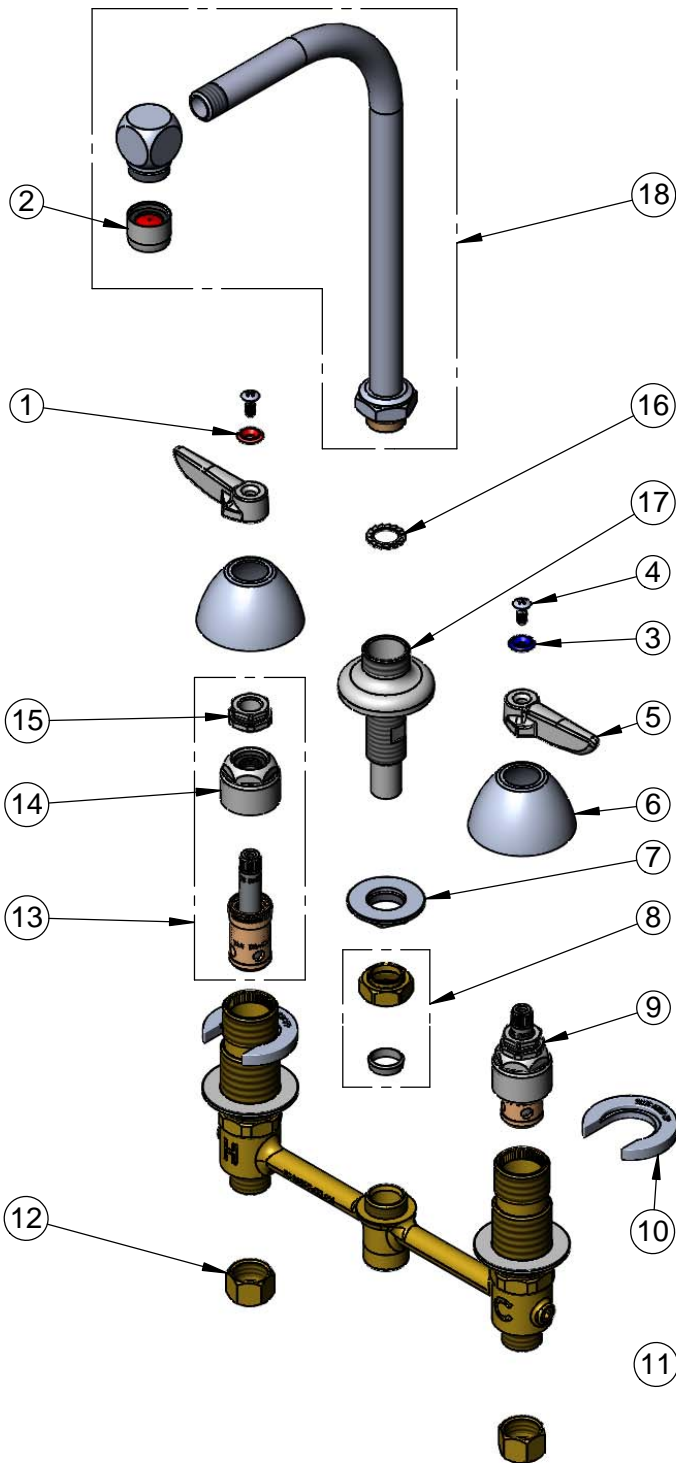


T&S BRASS AND BRONZE WORKS, INC.
 2 Saddleback Cove / P.O. Box 1088
 Travelers Rest, SC 29690

Model No.
B-2386
 Item No.

Travelers Rest, SC: 800-476-4103 • Simi Valley, CA: 800-423-0150 • Fax: 864-834-3518 • www.tsbrass.com

ITEM NO.	SALES NO.	DESCRIPTION
1	001661-45	Red Index-HW
2	B-0199-01	2.2 GPM Aerator, 55/64-27 UN Male
3	001660-45	Blue Index-CW
4	000922-45	Lever Handle Screw
5	001638-45	Lever Handle
6	001257-40	Bell Escutcheon
7	016742-45	Center Flange Nut
8	016745-45	Compression Nut & Fitting
9	016752-40	EasyInstall CWS LTC Eterna (Teflon)
10	016749-45	C-Washer
11	016777-45	CWS Hanger
12	000958-20	Coupling Nut
13	016753-40	EasyInstall CWS RTC Eterna (Teflon)
14	016743-25	CWS Bonnet
15	009002-25	Packing Nut
16	014200-45	Star Washer, Anti-Rotation
17	016754-40	EasyInstall CWS Swivel Center Shank
18	010094-40	5 1/2" Swivel Gooseneck w/ 2.2 GPM Aerator



017245-40
 Installation Repair Kit
 Includes #7, (2)#10, & #11

Product Specifications:
 EasyInstall 8" CWS Deck Mount Mixing Faucet, Eterna Cartridges,
 Lever Handles, 5 1/2" Swivel Gooseneck, 2.2 GPM Aerator

Product Compliance:
 ASME A112.18.1 / CSA B125.1
 NSF 61 - Section 9
 NSF 372 (Low Lead Content)
 ANSI A117.1 (ADA)