



# 36" Upright Bins

Model Number
965



965 shown



## **FEATURES**

- Stainless steel front, sides, back and bottom
- Large opening for scoop dispensing
- 1 ½" foamed in-place polyurethane insulation
- Stainless steel baffle prevents ice overflow
- Adjustable feet
- Factory installed 1" NPS stainless steel drain
- Spring loaded door hinge
- Transparent view windows

## **ASSEMBLY REQUIRED**

- Snout (tool-free)
- Feet

**Toll Free Phone: 1-800-346-3246**

**Local Phone: (303) 761-1615**

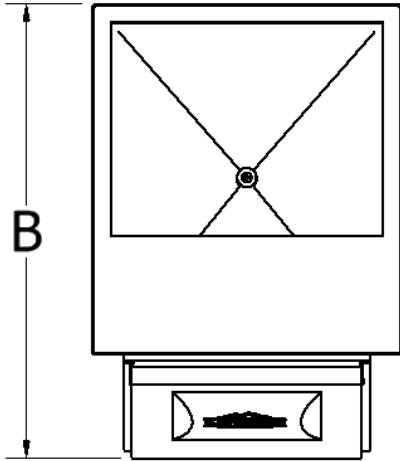
**E-mail: [sales@kloppenberg.com](mailto:sales@kloppenberg.com)**

**[www.kloppenberg.com](http://www.kloppenberg.com)**

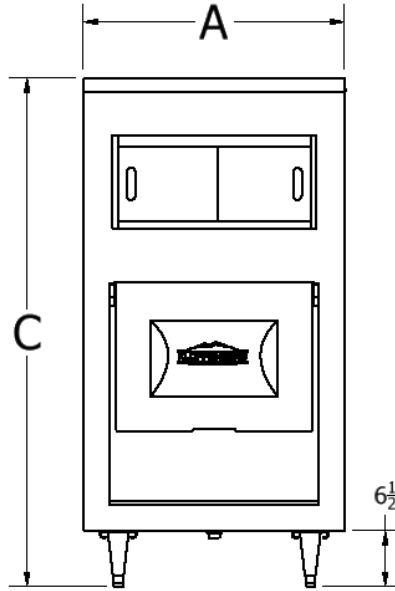
# 36" Upright Bins

Model Number

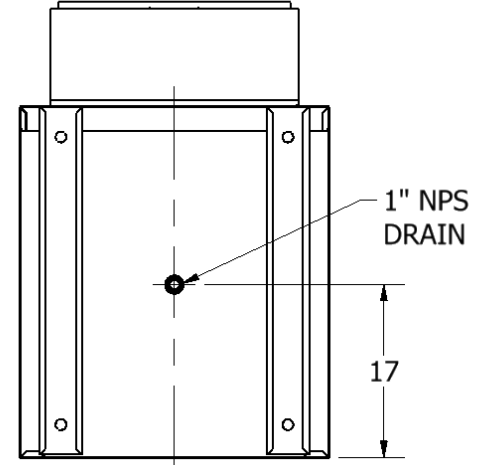
965



TOP VIEW



FRONT VIEW



BOTTOM VIEW

Model Number	Capacity lbs (kg)	A-Width in (mm)	B-Depth* in (mm)	C-Height in (mm)	Minimum Door Clearance in (mm)	Ship Weight lbs (kg)
965-SBB	1,069 (486)	36 (914)	44.5 (1,130)	67 (1701)	34 (864)	341 (155)

\*Includes 10.5" depth for snout

## **OPTIONS:**

- Stainless Steel liner
- Fully welded stainless steel liner (coved corners)
- Prison Package
- Flanged feet

## **AVAILABLE ACCESSORIES:**

- Paddle
- Scoops
- Totes
- Bagging Kit
- Carts

Toll Free Phone: 1-800-346-3246 Local Phone: 303-761-1615

Email: [sales@kloppenberg.com](mailto:sales@kloppenberg.com)

Please send all PO's to [purchaseorders@kloppenberg.com](mailto:purchaseorders@kloppenberg.com)