



A family company manufacturing in the USA

www.glastender.com



DI-IS24



DI-IW24



Intertek

4004503

Conforms to NSF/ANSI STD 2
Certified to CSA STD B45.4

★ All faucets are NSF/ANSI 61, Annex G low lead compliant

Project: _____	AIA# _____
Item #: _____ Qty: _____	SIS# _____
Model #: _____	

Drop-In Hand Units

DI-I	DI-IS24, DI-IS24-LF, DI-IW24, DI-IW24-LF
-------------	--

Standard Features

- Manufactured with total welded construction to meet all NSF® standards
- Stainless steel top, interior liner, and sink bowl
- Unique hemmed edge for added strength and visual appeal
- 9-1/4" by 11-1/2" by 6" deep sink bowl
- Includes four 1/4-20 x 1-1/2" studs for mounting to countertop
- Includes 1-1/2" IPS drain fitting
- PVC plastic breaker strip around ice bin liner: creates 5/16" raised edge around liner, acts as thermal barrier to prevent heat transfer, and makes the cover slide easier
- Sliding stainless steel cover
- Eco friendly foamed-in-place insulation has zero impact on global warming or ozone depletion
- Galvanized steel exterior wrap
- 10-1/2" deep liner
- Heavy-duty faucet is standard (available less faucet by adding the suffix '-LF' to the model number)

Specifications

- Drains**
- Sink: 1-1/2" I.P.S. Threaded drain will fit Dearborn part #8033 slipnut and part #W-573P washer.
 - Ice Bin: 1-1/2" tail piece
- Faucet (not included with -LF models)**
- DI-IS24: Deck mount on 4" centers, accepts 3/8" sink leads, hot and cold water connections required
 - DI-IW24: Deck mount water filler, accepts 3/8" sink lead, cold water connection required
- Sink Bowl Dimensions**
- 9-1/4" by 11-1/2" by 6" deep
- Cover**
- Two piece sliding cover, stainless steel, included with all models
- Ice Bin Liner Depth**
- 10-1/2"

- Ice Capacity**
- 33 lbs
- Cut-out Dimensions**
- 17-1/2" by 22-1/2"
- Materials**
- 20 gauge stainless steel parts include: All components unless otherwise noted
 - 16 gauge galvanized steel part include: faucet support bracket
 - 22 gauge galvanized steel parts include: exterior wrap and bottom

⚠ WARNING: The plastic wet waste strainer included with this product can expose you to chemicals including Bisphenol A (BPA), which is known to the State of California to cause birth defects or other reproductive harm. For more information, go to www.P65Warnings.ca.gov. **Part #03000483**
Warning applies to State of California only.

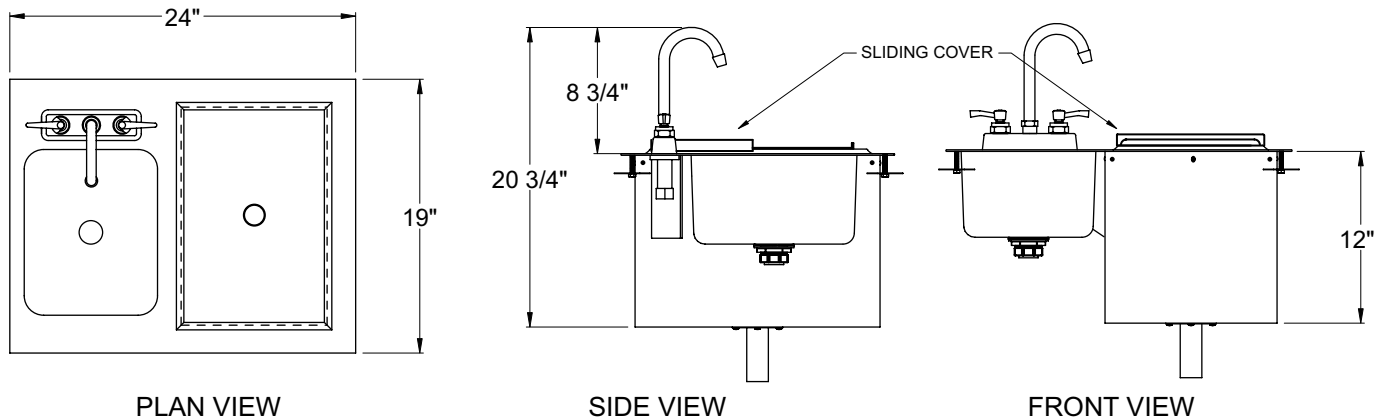
To view cleaning and care instructions, please visit: https://www.glastender.com/PDF/F-423-011_ss_clean_care.pdf

Glastender, Inc. • 5400 N Michigan Rd • Saginaw, MI • 48604-9780 989.752.4275 • 800.748.0423 • Fax 989.752.4444 www.glastender.com	Approval/Notes:
Specifications subject to change without notice. For current specifications please visit our website.	

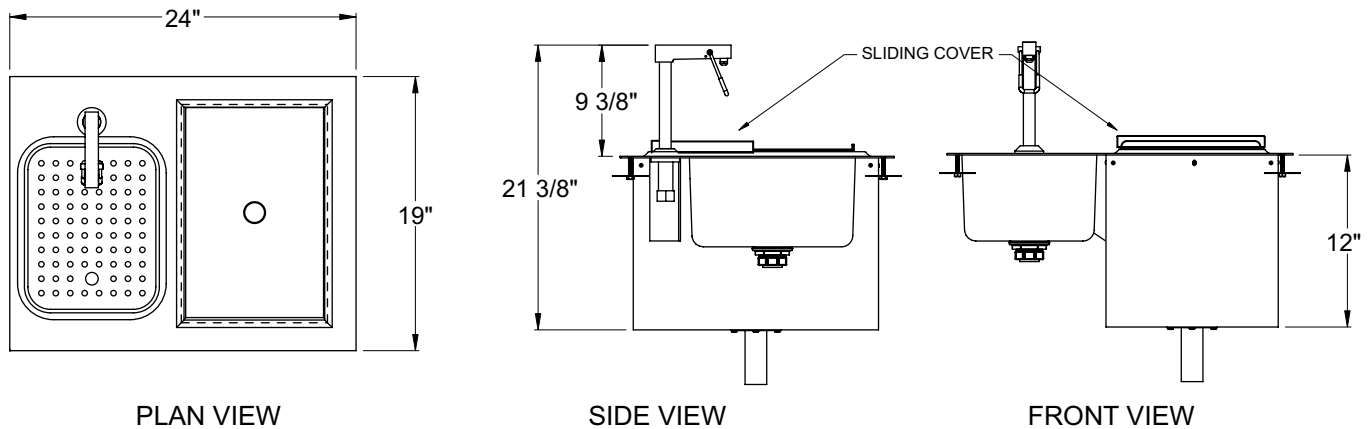
Drop-In Hand Units

Dimensional Information

DI-IS24



DI-IW24



CUTOUT INFORMATION

INSTALLATION INSTRUCTIONS*

1. Remove angle brackets from drop-in unit.
2. Place unit into appropriate size cut-out for specific model number used.
3. Make initial drain connections, especially if access to drain is limited once the unit is in place.
4. Place unit into cut-out and finish plumbing the drain line.
5. Replace angle brackets, firmly tighten screws.
6. Place U-channels on top of bolts.
7. Tighten each bolt evenly along U-channels.
8. To establish proper sanitation operation and to comply with NSF & health codes, this unit must be sealed to the surface to which it is mounted using an NSF listed sealant. Place a bead of sealant along outer edges of the mounting flange and remove any excessive amount. Make sure there are no gaps in the sealant as the intent is to prevent liquid spillage from adjacent surfaces from passing under inaccessible portions of the equipment.

*Provided hardware allows for unit to be removable as necessary.

