



Project \_\_\_\_\_

Item # \_\_\_\_\_

Quantity \_\_\_\_\_

# Glo-Ray® Heated Glass Merchandisers

Models: GR3SDS-27DCT, -27TCT  
GR3SDS-33DCT, -33TCT  
GR3SDS-39DCT, -39TCT

Hatco Glo-Ray® Heated Glass Merchandising Warmers are perfect for self-serve operations, designed specifically to hold hot wrapped or boxed product at optimum serving temperatures. Increasing holding capacities and impulse sales with a beautiful curved design that compliments any décor.

## Standard features

- Unique, patented heated glass shelves with infinite controls conduct heat to food product above and below
- Blanket-style heating elements in the hardcoated base and canopy are thermostatically-controlled
- LED lighting allows for optimum food product display with energy savings
- Attractive curved top design includes a built-in front sign holder for your own custom signage, 26.75" W (679 mm) x 3" H (76 mm), at the top front of the unit
- Also comes with: tempered glass side panels, 2.5" (64 mm) legs, sign holder on upper canopy, thermostatically-controlled heated base and upper canopy, and comes standard in Designer Black



GR3SDS-27TCT  
in Standard  
Designer Black

## Options (available at time of purchase only)

### Designer Colors

- Non-standard colors are non-returnable – Black standard –
- Warm Red
  - Gray Granite
  - White Granite
  - Navy Blue
  - Hunter Green
  - Antique Copper

### Glossy Color

- Non-standard colors are non-returnable – Black standard –
- Glossy Gray

## Accessories

- 4" (102 mm) Adjustable Legs
- Additional Stainless Steel Divider Rods (not for use with Optional Sign Holders)

IFS anti-microbial coatings use naturally-occurring, environmentally sustainable, silver ions to help inhibit the growth of microbes on the powder coated surface. See [www.hatcocorp.com/antimicrobial-paint](http://www.hatcocorp.com/antimicrobial-paint) for more information.

For operation, location and safety information, please refer to the Installation and Operating Manual.



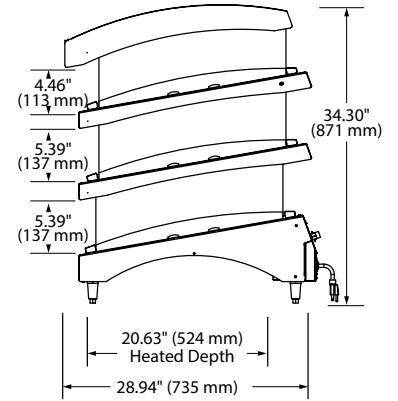
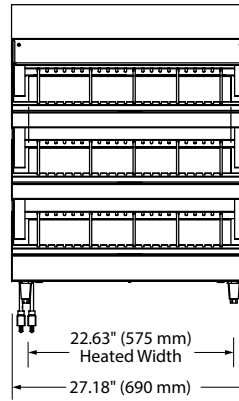
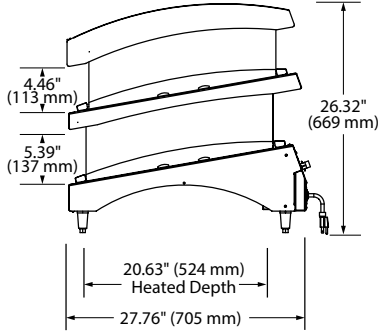
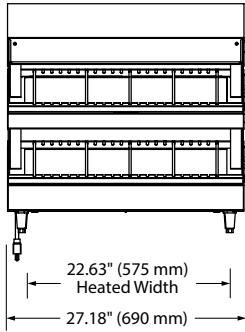
HATCO CORPORATION | P.O. Box 340500 Milwaukee, WI 53234-0500 U.S.A. | (414) 671-6350

[www.hatcocorp.com](http://www.hatcocorp.com) | [support@hatcocorp.com](mailto:support@hatcocorp.com) | [Find a Hatco Rep](#) | [Image Library](#) | [Document Library](#) | [Patents](#) | [Chat](#)



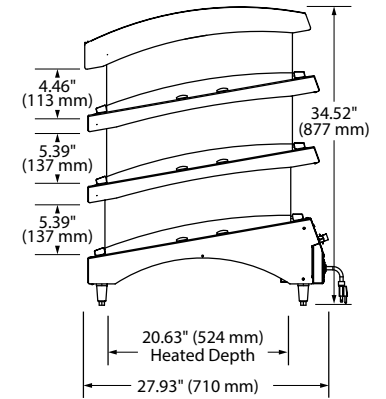
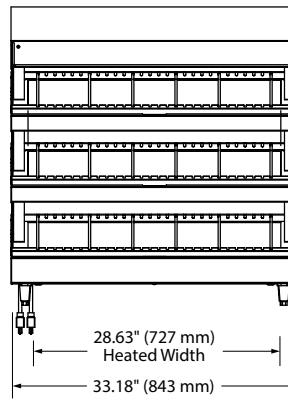
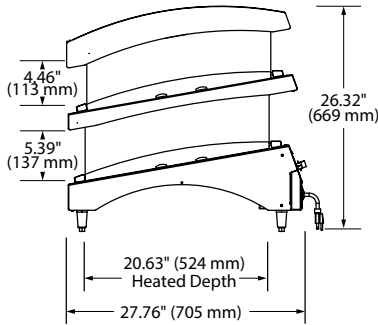
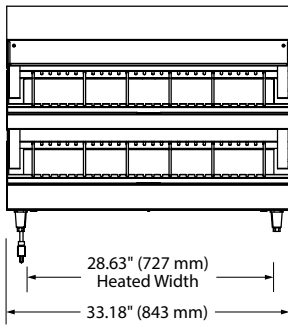
# Glo-Ray® Heated Glass Merchandisers

Models: GR3SDS-27DCT, -27TCT, -33DCT, -33TCT, -39DCT, -39TCT



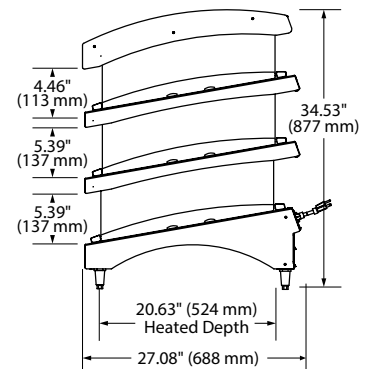
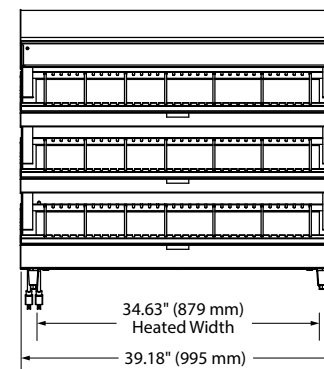
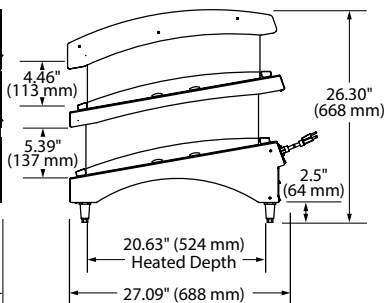
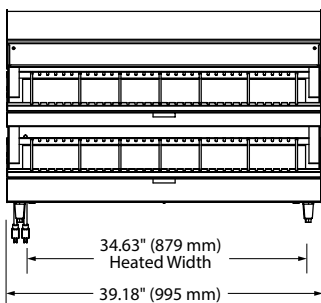
GR3SDS-27DCT

GR3SDS-27TCT



GR3SDS-33DCT

GR3SDS-33TCT



GR3SDS-39DCT

GR3SDS-39TCT





# Glo-Ray® Heated Glass Merchandisers

Models: GR3SDS-27DCT, -27TCT, -33DCT, -33TCT, -39DCT, -39TCT

## SPECIFICATIONS

### Glo-Ray® Merchandising Warmer – Dual Shelf

The shaded areas contain electrical information for International models

Model	No. of Divider Rods	Dimensions (W x D x H)	Useable Heated Shelf Space	Volts	Watts	Amps	Plug	Approx. Ship Weight
GR3SDS-27DCT	10	27.18" x 27.76" x 26.32" (690 x 705 x 669 mm)	22.63"W x 20.63"D (575 x 524 mm)	120	1340	11.2	NEMA 5-15P	155 lbs. (70 kg)
GR3SDS-33DCT	12	33.18" x 27.76" x 26.32" (843 x 705 x 669 mm)	28.63"W x 20.63"D (727 x 524 mm)	120	1747	14.6	NEMA 5-15P*	175 lbs. (79 kg)
GR3SDS-39DCT ✓	14	39.18" x 27.49" x 26.49" (995 x 698 x 673 mm)	34.63"W x 20.63"D (879 x 524 mm)	(2) 120	1530, 600	12.8, 5.0	(2) NEMA 5-15P	186 lbs. (84 kg)
				120/208-240	2130	12.8	NEMA L14-20P	
				220-230-240	1750-1910-2080	8.0-8.3-8.7	CEE 17, BS-1363, AS-3112, CEE 7/7 Schuko	

### Glo-Ray® Merchandising Warmer – Triple Shelf

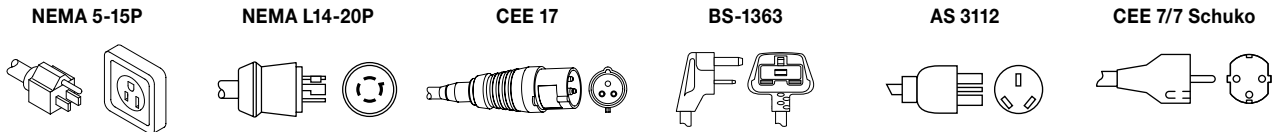
Model	No. of Divider Rods	Dimensions (W x D x H)	Useable Heated Shelf Space	Volts	Watts	Amps	Plug	Approx. Ship Weight
GR3SDS-27TCT ✓	15	27.18" x 28.94" x 34.3" (690 x 735 x 871 mm)	22.63"W x 20.63"D (575 x 524 mm)	(2) 120	980, 1115	8.2, 9.3	(2) NEMA 5-15P	190 lbs. ( 86 kg)
				120/208-240	2095	9.3	NEMA L14-20P	
GR3SDS-33TCT ✓	18	33.18" x 27.93" x 34.52" (843 x 710 x 877 mm)	28.63"W x 20.63"D (727 x 524 mm)	(2) 120	1293, 1430	10.8, 11.9	(2) NEMA 5-15P	215 lbs. ( 98 kg)
				120/208-240	2723	11.9	NEMA L14-20P	
GR3SDS-39TCT ✓	21	39.18" x 27.49" x 34.72" (995 x 698 x 882 mm)	34.63"W x 20.63"D (879 x 524 mm)	(2) 120	1555, 1755	13.0, 14.6	(2) NEMA 5-15P	230 lbs. (104 kg)
				120/208-240	3310	14.6	NEMA L14-20P	
				220-230-240	2720-2970-3235	12.4-12.9-13.5	CEE 17, BS-1363, AS-3112, CEE 7/7 Schuko	

- ✓ Requires 2, 120V power cords.
- ✦ Canadian model uses NEMA 5-20P.

## CORD LOCATION

Server side, lower right corner.

## PLUG CONFIGURATIONS



## PRODUCT SPECS

### Glo-Ray® Heated Glass Merchandisers

The Heated Glass Merchandiser shall be a Glo-Ray® model ... as manufactured by the Hatco Corporation, Milwaukee, WI 53234 U.S.A.

The Merchandiser shall be rated at ... watts, ...volts, single phase, and be ... millimeters (inches) in overall width. The Glo-Ray shall consist of aluminum and stainless steel with dual or triple glass shelves, coming standard in *Designer Black*. Featuring tempered glass side panels, blanket-style heating elements in the

hardcoated heated base and upper canopy, unique patented heated glass shelves, LED display lights, Front box stops and adjustable divider rods, 2.5" (64 mm) legs, and one or two 6" (1829 mm) power cord and plug sets.

Accessories shall include additional divider rods.

Warranty consists of 24/7 parts and service assistance (US and Canada only).

HATCO CORPORATION | P.O. Box 340500 Milwaukee, WI 53234-0500 U.S.A. | (414) 671-6350



[www.hatcocorp.com](http://www.hatcocorp.com) | [support@hatcocorp.com](mailto:support@hatcocorp.com) | [Find a Hatco Rep](#) | [Image Library](#) | [Document Library](#) | [Patents](#) | [Chat](#)