



STAINLESS STEEL

# COUNTERTOP INSTALLED HAND SINKS WITH BUILT-IN PAPER TOWEL DISPENSER & DECK MOUNTED SOAP DISPENSER



Conforms To NSF 61/9 Lead Free Requirements



7-PS-42 Shown



7-PS-43 Shown



7-PS-43 Shown Above  
Installed in a Work Table

|            |       |        |       |
|------------|-------|--------|-------|
| Item #:    | _____ | Qty #: | _____ |
| Model #:   | _____ |        |       |
| Project #: | _____ |        |       |

**FEATURES:**

One piece **Deep Drawn** sink bowl design.  
Sink bowls have a large liberal radii with a minimum dimension of 2" and are rectangular in design for increased capacity.  
Both units include Deck Mounted Liquid Soap Dispenser & Stainless steel basket drain 1-1/2" IPS.

**Specific Features:**

Undermount towel dispenser pivots forward for ease of reloading.  
Standard "C" Fold towels extracted directly from front of towel dispenser.  
**7-PS-42 & 7-PS-42A** includes K-52 deck mounted, 4" O.C. chrome plated faucet & furnished with aerator.  
**7-PS-43** includes Knee-Valve operation & Gooseneck Spout.

**CONSTRUCTION:**

All TIG welded.  
Welded areas blended to match adjacent surfaces and to a satin finish.  
Die formed Countertop Edge with a No-Drip offset.  
One sheet of stainless steel - No Seams.

**MATERIAL:**

Heavy gauge type 304 series stainless steel.  
All fittings are brass / chrome plated unless otherwise indicated.

**MECHANICAL:**

Faucet supply is 1/2" IPS male thread hot and cold.  
**Faucet Flow Rate:** 1.0 GPM/3.8 LPM aerator. 60 PSI.

**For Factory Installation – Add TA-503**

| Model #  | Overall Size<br>W x L | Bowl Size<br>W x L x D | Approx.<br>Weight | Approx.<br>Cu. Ft. |
|----------|-----------------------|------------------------|-------------------|--------------------|
| 7-PS-42  | 17-5/8" x 18-1/4"     | 10" x 14" x 5"         | 30 lbs.           | 2                  |
| 7-PS-42A | 17-3/8" x 13"         | 9" x 9" x 5"           | 26 lbs.           | 2                  |
| 7-PS-43  | 17-5/8" x 18-1/4"     | 10" x 14" x 5"         | 36 lbs.           | 2                  |

**⚠ WARNING:**  
Equipment that includes a faucet may expose you to chemicals, including lead, that are known to the State of California to cause cancer or birth defects or other reproductive harm. For more Info., visit [www.p65warnings.ca.gov](http://www.p65warnings.ca.gov).



Customer Service Available To Assist You **1-800-645-3166** 8:30 am - 7:00 pm E.S.T.

For Orders & Customer Service:

Email: [customer@advancetabco.com](mailto:customer@advancetabco.com) or Fax: 631-242-6900

For Smart Fabrication™ Quotes:

Email: [smartfab@advancetabco.com](mailto:smartfab@advancetabco.com) or Fax: 631-586-2933

# DIMENSIONS and SPECIFICATIONS

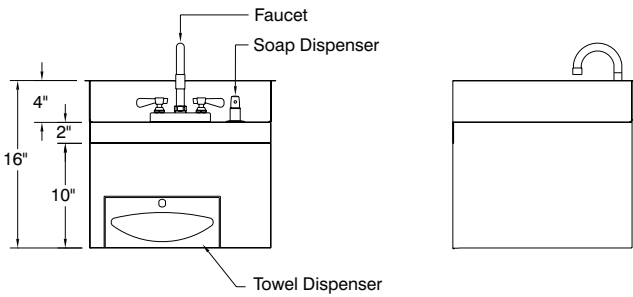
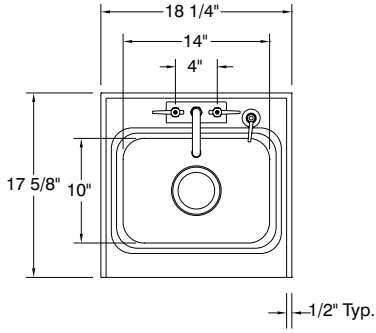
TOL Overall: ± .500" Interior: ± .250"

FITTINGS SUPPLIED AS SHOWN

ALL DIMENSIONS ARE TYPICAL

7-PS-42

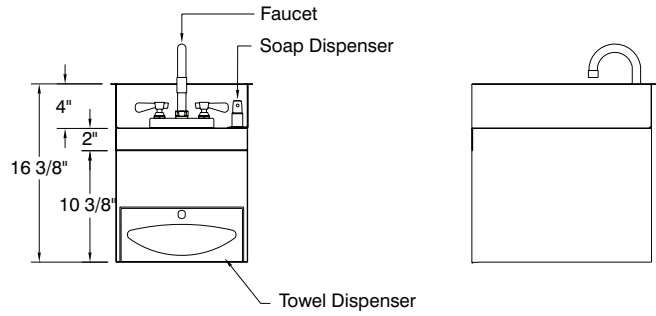
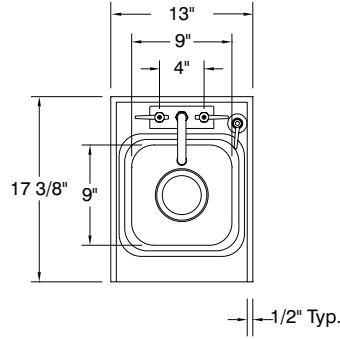
Countertop Opening Not to Exceed  
17 1/4" (Front to Back) x 17 3/8" (Left to Right)



30 lbs.

7-PS-42A

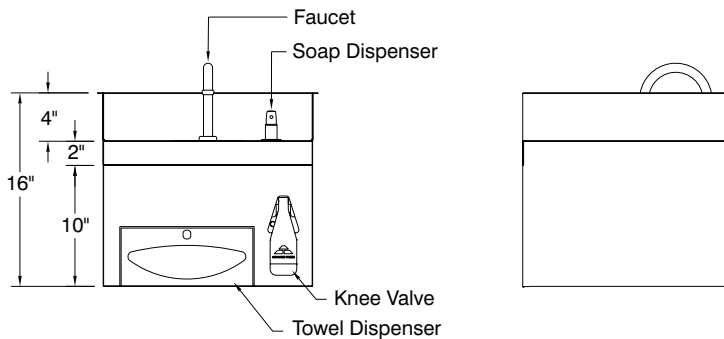
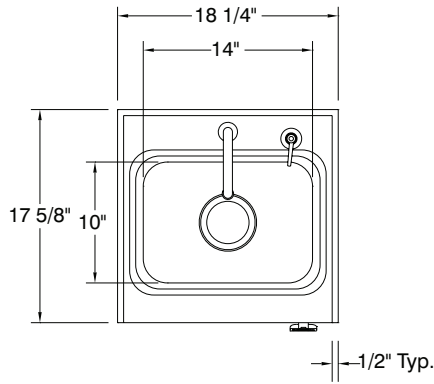
Countertop Opening Not to Exceed  
16 7/8" (Front to Back) x 12 1/8" (Left to Right)



26 lbs.

7-PS-43

Countertop Opening Not to Exceed  
17 1/4" (Front to Back) x 17 3/8" (Left to Right)



36 lbs.

