

# Insulated Direct Steam Kettle

**2/3 Jacketed  
Insulated for Safety™  
Deep Drawn Construction  
Stationary, Leg Mounted  
Made in USA**

# Model LTI

## STANDARD FEATURES



**Model LTI-40**

Legion equipment is built to comply with applicable standards for manufacturers. Approval agencies may include ASME, NSF, UL, ETL, AGA, CSA, CGA, and others. Legion reserves the right of design improvement or modification as warranted.

- ◆ Kettle System
  - ◇ Seamless deep-drawn 304 kettle liner
  - ◇ 304 stainless draw-off tube and welds
  - ◇ 304 stainless 2" compression draw-off valve
- ◆ 304L seamless, deep-drawn, stainless kettle jacket
- ◆ 3304 stainless outer casing seam welded to radius lip
- ◆ 304 stainless legs provided with reinforcing bracing
  - ◇ 4 legs for 20 - 125 gallon, 2" diameter
- ◆ Full body insulation between kettle jacket and outer casing
- ◆ Adjustable flanged feet
- ◆ 304 stainless, one piece, domed cover, actuator-assisted on 40 - 80 gallon
- ◆ Condensate drain and steam supply provided with rear connections
- ◆ Front mounted steam control valve
- ◆ 30 psi operating pressure
- ◆ Perforated disk strainer, 1/4" holes

## Models and Capacities

LTI-20	20 gal.	76 l.
LTI-30	30 gal.	114 l.
LTI-40	40 gal.	151 l.
LTI-50	50 gal.	189 l.
LTI-60	60 gal.	227 l.
LTI-80	80 gal.	303 l.
LTI-100	100 gal.	379 l.
LTI-125	125 gal.	473 l.

## Optional Features and Accessories

See price list for supplemental information regarding options

### Faucet Options:

- \_ Single or double fill faucet with bracket & 12" or 18" swing nozzle
- \_ 48" flexible spray hose assembly (vinyl or stainless) for use with dual or single fill faucet
- \_ Faucet bracket
- \_ Automatic water filling meter

(Call for information regarding additional faucet options)

### Prison/Security Options:

- \_ Fastener (nut for draw-off)
- \_ Draw-off nut driver tool
- \_ Lockable lid
- \_ Draw-off protection
- \_ Steam control valve protection

### Other Options:

- \_ Air eliminator valve
- \_ Pressure reducing valve
- \_ Connection plumbing parts kit
- \_ Mixer/Agitator, 2 speed
- \_ Lift-off cover
- \_ 1 piece actuator-assisted cover, 20 - 30 gallon
- \_ 2 piece hinged cover
- \_ Higher operating pressure

### Accessories:

- \_ Single basket insert, 20 - 40 gallon
- \_ Tri-basket insert
- \_ Nylon bag insert with spreader ring
- \_ Draw-off drain hose
- \_ Measuring strip
- \_ Perforated disk strainer 1/8" holes
- \_ Kettle care kit

Select draw-off valve:  2"  3"

With:  compression  ball type fitting

See price list for other draw-off options.

Revision 113



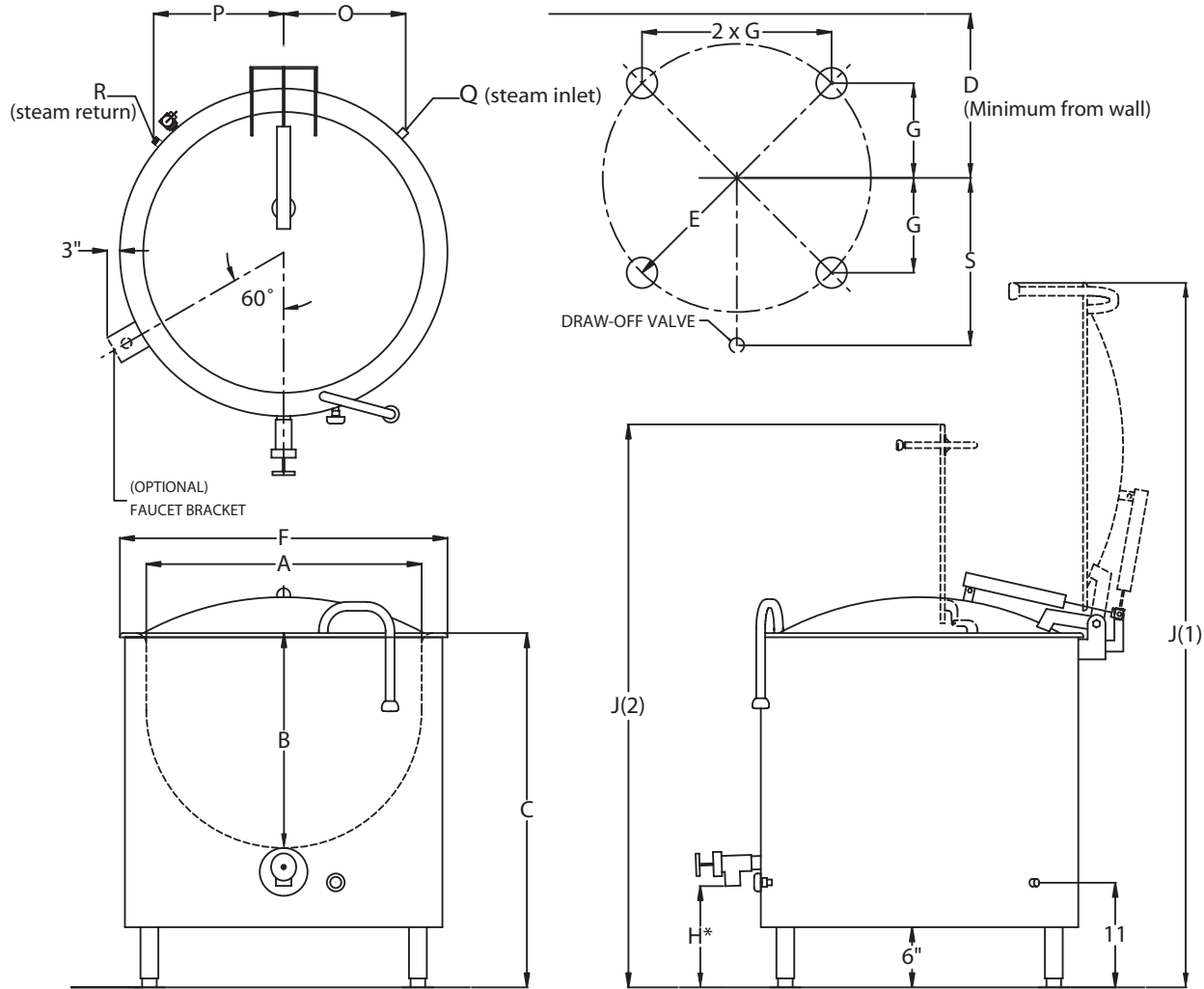
**LEGION** Legion Industries, Inc. P. O. Office Box 728 Waynesboro, GA 30830 (800) 887-1988  
(706) 554-4411 Fax: (706) 554-2035 www.legionindustries.com sales@legionindustries.com

# Model LTI

**2/3 Jacketed  
Insulated for Safety™  
Deep Drawn Construction  
Stationary, Leg Mounted  
Made in USA**

# Insulated Direct Steam Kettle

DRAWING REPRESENTS MODEL LTI-60



**MODEL LTI DIMENSIONS**

Gal.	A	B	C	D	E	F	G	H* (2")	H* (3")	J1	J2	O&P	Q	R	S
20	22.0	16.0	31.0	23.1	13.3	28.6	9.4	11.5	10.5	62.6	51.8	9.9	.75	.50	16.5
30	23.0	20.3	35.6	23.6	13.8	29.6	9.7	11.5	10.5	68.2	56.9	10.3	.75	.50	17.0
40	25.5	22.3	36.8	24.8	15.0	32.4	10.6	11.5	10.5	72.2	60.0	11.1	.75	.50	18.3
50	29.5	21.8	36.5	26.8	16.8	36.4	11.9	11.5	10.5	75.9	61.7	12.6	.75	.50	20.3
60	29.5	25.0	39.7	26.8	16.8	36.4	11.9	11.5	10.5	79.1	64.9	12.6	.75	.50	20.3
80	32.5	27.6	43.0	28.3	18.3	39.6	12.9	11.5	10.5	85.6	71.1	13.6	1.00	.75	21.8
100	39.0	25.9	40.7	31.6	21.6	45.7	15.2	11.5	10.5	89.4	72.3	15.9	1.00	.75	25.0
125	44.0	26.3	41.4	34.1	24.1	50.4	17.0	11.5	10.5	94.8	75.3	17.7	1.25	.75	27.5

\*"H" dimension varies with draw-off size selection.

Revised 113



**LEGION** Legion Industries, Inc. P.O. Office Box 728 Waynesboro, GA 30830 (800) 887-1988  
(706) 554-4411 Fax: (706) 554-2035 www.legionindustries.com sales@legionindustries.com