



Special Features:

- ✓ 16-Gauge Type 304 Stainless Steel Tabletop
- ✓ One 1-5/8" 16-Gauge Stainless Steel Tubing "H" Leg
- ✓ Left & Right Side Models Available
- ✓ 24" to 60" Tabletop Models Available
- ✓ Stainless Steel Adjustable Bullet Feet
- ✓ 7.5" Backsplash
- ✓ All Seams Welded & Polished
- ✓ No Burrs or Sharp Edges
- ✓ Very Easy to Assemble
- ✓ NSF Listed



About Empura Clean Dish Tables:

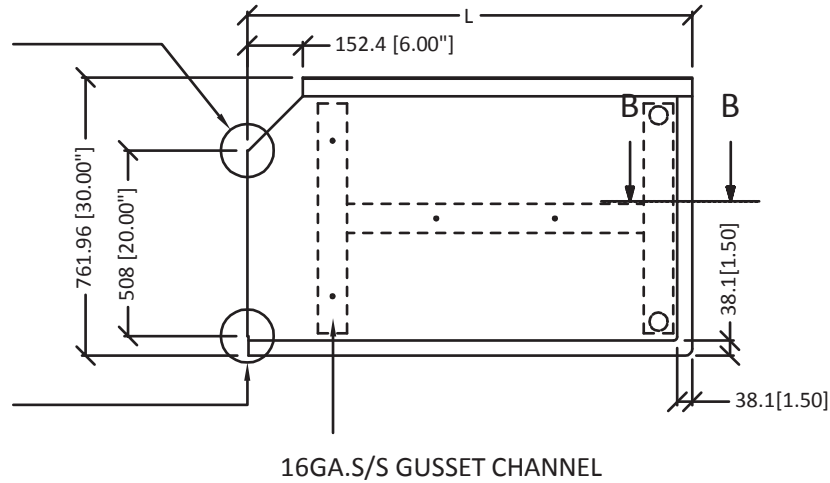
Empura clean dish tables are the perfect solution when looking to update or expand your clean dish storage and drying system to streamline your dishwashing station. Made with heavy duty Type 304 16-gauge stainless steel these dish tables can stand up to constant use day in and day out in a busy commercial kitchen. These tables stand on sturdy "H" legs made of 16-gauge stainless steel tubing that provide stability and support for safely storing cleaned and drying dishes before they are put away. These tables are sturdy workhorse models that you can rely on for maximum stability.

TECHNICAL SPECS

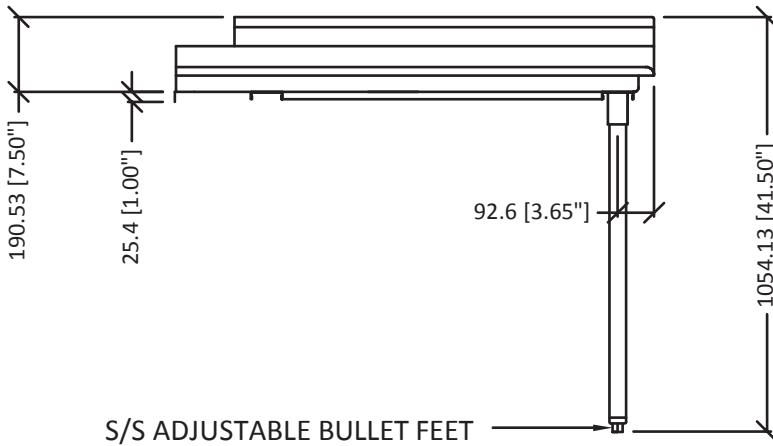
Model #	ECDT24R	ECDT36R	ECDT48R	ECDT60R	ECDT24L	ECDT36L	ECDT48L	ECDT60L
Orientation	Right Side	Right Side	Right Side	Right Side	Left Side	Left Side	Left Side	Left Side
Table Width	24" / 2'	36" / 3'	48" / 4'	60" / 5'	24" / 2'	36" / 3'	48" / 4'	60" / 5'
Table Depth	30"	30"	30"	30"	30"	30"	30"	30"
Table Height	41.5"	41.5"	41.5"	41.5"	41.5"	41.5"	41.5"	41.5"
Backsplash Height	7.5"	7.5"	7.5"	7.5"	7.5"	7.5"	7.5"	7.5"
Leg Height	34"	34"	34"	34"	34"	34"	34"	34"
Leg Diameter	1-5/8"	1-5/8"	1-5/8"	1-5/8"	1-5/8"	1-5/8"	1-5/8"	1-5/8"
Construction Material	Stainless Steel	Stainless Steel	Stainless Steel	Stainless Steel	Stainless Steel	Stainless Steel	Stainless Steel	Stainless Steel
Tabletop Material Type	304	304	304	304	304	304	304	304
Tabletop Material Gauge	16 Gauge	16 Gauge	16 Gauge	16 Gauge	16 Gauge	16 Gauge	16 Gauge	16 Gauge
Number of / Leg Style	1 "H" Leg	1 "H" Leg	1 "H" Leg	1 "H" Leg	1 "H" Leg	1 "H" Leg	1 "H" Leg	1 "H" Leg
Leg Material Gauge	16 Gauge	16 Gauge	16 Gauge	16 Gauge	16 Gauge	16 Gauge	16 Gauge	16 Gauge
Leg Bracing Gauge	20 Gauge	20 Gauge	20 Gauge	20 Gauge	20 Gauge	20 Gauge	20 Gauge	20 Gauge
Leg Bracing Diameter	1.25"	1.25"	1.25"	1.25"	1.25"	1.25"	1.25"	1.25"
Foot Style	S/S Adjustable	S/S Adjustable	S/S Adjustable	S/S Adjustable	S/S Adjustable	S/S Adjustable	S/S Adjustable	S/S Adjustable
Certifications	NSF	NSF	NSF	NSF	NSF	NSF	NSF	NSF
Weight	30.58 lb	39.79 lb	49.85 lb	59.06 lb	30.58 lb	39.79 lb	49.85 lb	59.06 lb

RIGHT SIDE MODEL TECHNICAL DRAWINGS

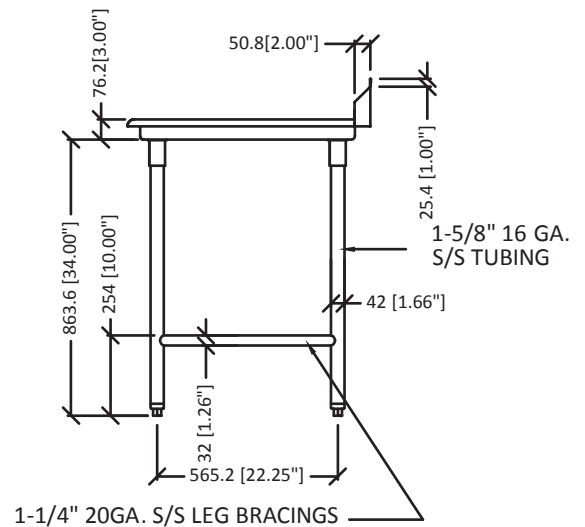
Top View



Front View



Side View

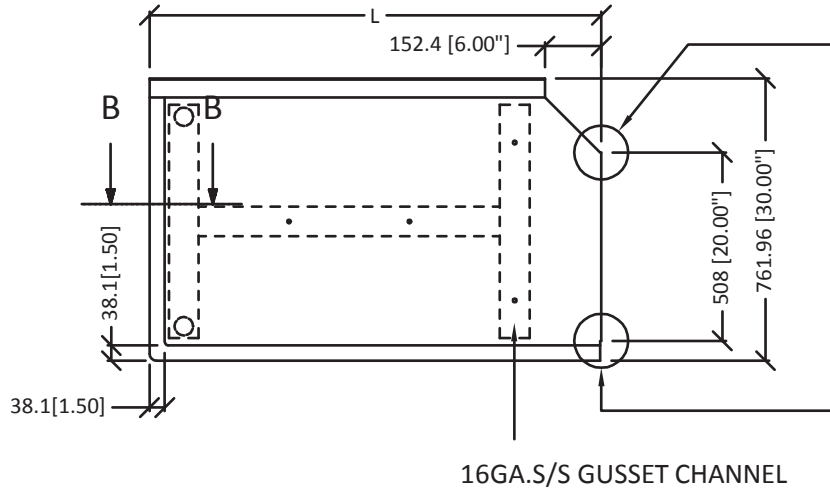


Intended For Commercial Use Only. Empura assumes no liability for component failure, factory defects or any other damages for units installed in non-commercial foodservice or residential applications.

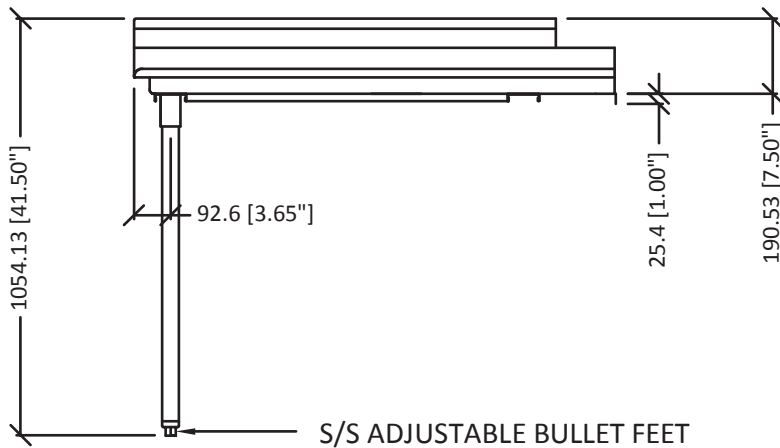
Attention CA Residents: This product can expose you to chemicals including lead, which are known to the State of California to cause cancer, birth defects, or other reproductive harm. For more information, go to www.p65warnings.ca.gov.

LEFT SIDE MODEL TECHNICAL DRAWINGS

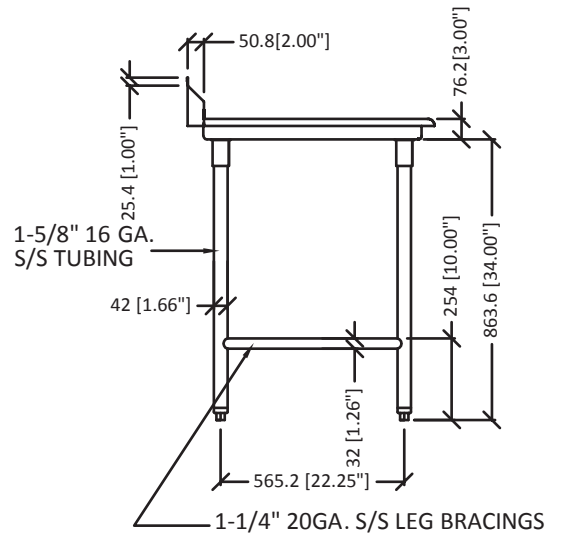
Top View



Front View



Side View



Intended For Commercial Use Only. Empura assumes no liability for component failure, factory defects or any other damages for units installed in non-commercial foodservice or residential applications.

Attention CA Residents: This product can expose you to chemicals including lead, which are known to the State of California to cause cancer, birth defects, or other reproductive harm. For more information, go to www.p65warnings.ca.gov.