



T&S BRASS AND BRONZE WORKS, INC.
 2 Saddleback Cove / P.O. Box 1088
 Travelers Rest, SC 29690

Model No.
B-0199-09-WS

Item No.

Travelers Rest, SC: 800-476-4103 • Simi Valley, CA: 800-423-0150 • Fax: 864-834-3518 • www.tsbrass.com

This Space for Architect/Engineer Approval

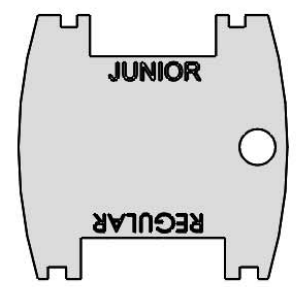
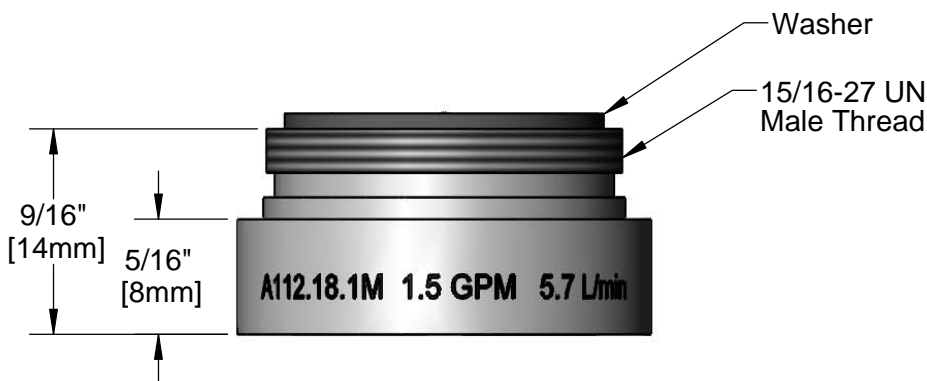
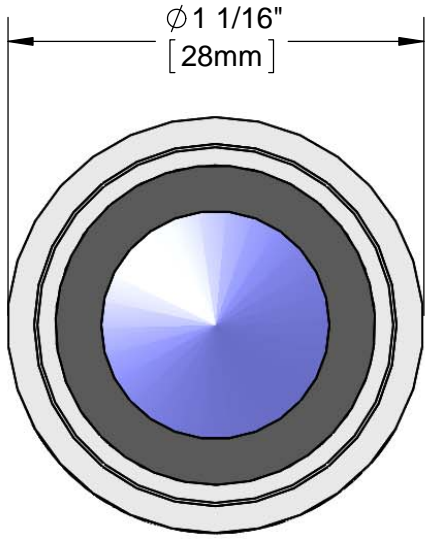
Job Name _____ Date _____

Model Specified _____ Quantity _____

Customer/Wholesaler _____

Contractor _____

Architect/Engineer _____



Furnished with
 Vandal Resistant
 Aerator Key

Product Specifications:
 1.5 GPM Vandal Resistant Aerator w/ 15/16-27 UN Male Threads & Installation Key

Drawn: JBC Checked: JRM Approved: JHB Date: 05/26/16

Product Compliance:
 ASME A112.18.1 / CSA B125.1
 NSF 61 - Section 9
 NSF 372 (Low Lead Content)

Scale: 2:1 Sheet: 1 of 1