



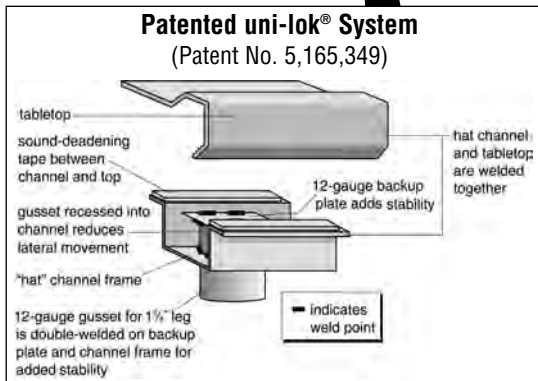
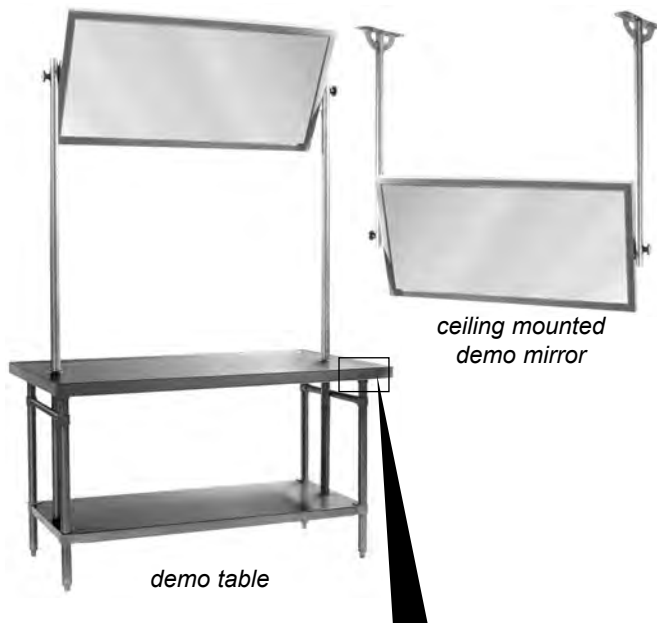
Profit from the Eagle Advantage®

Specification Sheet

Short Form Specifications

Eagle Spec-Master® Demo Table, model _____. Top is 14/304 stainless steel with marine counter edge on all sides. Top reinforced with welded hat channel. Features include stainless steel adjustable undershelf, acrylic mirror supported in tilting frame, and 1½" O.D. stainless steel tubular legs with adjustable stainless steel bullet feet.

Eagle Ceiling Mounted Demo Mirror, model _____. Acrylic mirror supported in tilting frame, and 1½" O.D. stainless steel posts with stainless steel plates. Hardware included.



Item No.: _____
Project No.: _____
S.I.S. No.: _____

Spec-Master® Demo Tables and Ceiling Mounted Demo Mirrors

MODELS:

- DT3660SE CMM49
- DT3672SE CMM61

Demo Tables

- Tabletop:
 - 14 gauge type 304 stainless steel.
 - 36" (914mm)-wide.
 - Marine counter edge on all sides.
 - Reinforced with welded-on hat channels.
- Undershelf
 - Heavy gauge stainless steel.
 - Adjustable.
- Legs
 - Heavy duty stainless steel.
 - 1½" (41mm)-diameter.
 - Stainless steel gussets.
 - Adjustable stainless steel bullet feet.

Ceiling Mounted Demo Mirrors

- 1½" (41mm)-diameter 16 gauge stainless steel posts (length of posts must be specified when ordering).
- Pair of heavy gauge stainless steel plates.
- Hardware included.

Mirror—on all units

- 24¼" (616mm)-wide.
- Acrylic.
- Supported in tilt framing.
- Locking knob on each side.

Options / Accessories (for Demo Tables only)

- Drawer assemblies
- Casters

EAGLE GROUP
100 Industrial Boulevard, Clayton, DE 19938-8903 USA
Phone: 302-653-3000 • Fax: 302-653-2065
www.eaglegrp.com

Foodservice Division: Phone 800-441-8440
MHC/Retail Display Divisions: Phone 800-637-5100

For custom configuration or fabrication needs, contact our **SpecFAB® Division**.
Phone: 302-653-3000 • Fax: 302-653-2065 • e-mail: quotes@eaglegrp.com



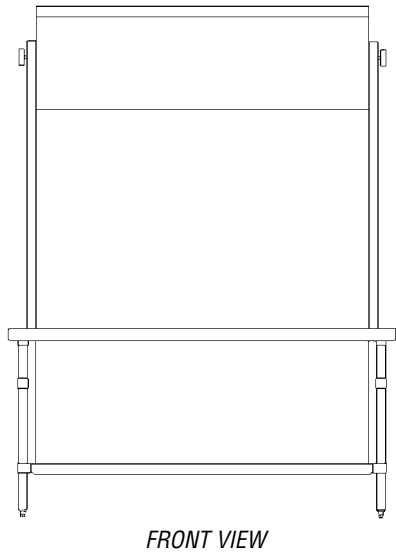
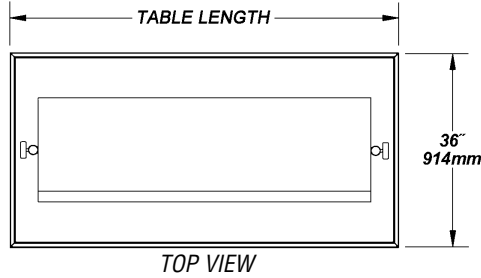
EG10.17 Rev. 08/18

Spec sheets available for viewing, printing or downloading from our online literature library at www.eaglegrp.com

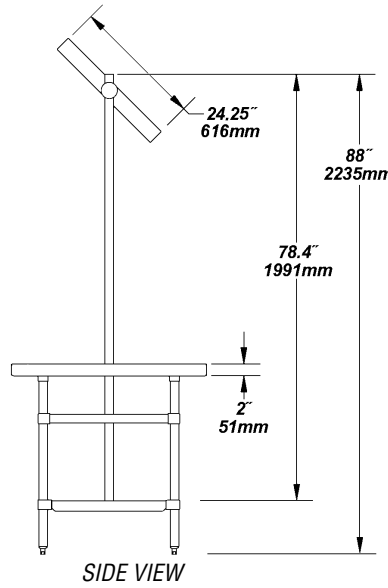


Item No.: _____
 Project No.: _____
 S.I.S. No.: _____

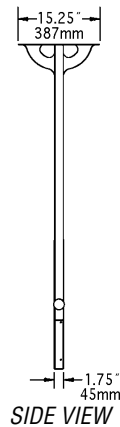
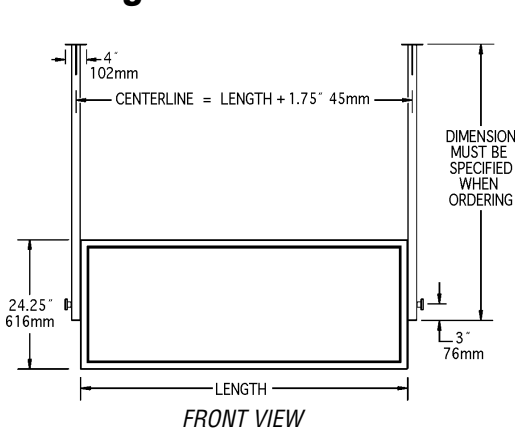
Spec-Master® Demo Tables



model #	TABLE SIZE		MIRROR SIZE		weight	
	width	length	width	length	lbs.	kg
DT3660SE	36" x 60"	914 x 1524	24¼" x 49½"	616 x 1257	250	113.4
DT3672SE	36" x 72"	914 x 1829	24¼" x 61½"	616 x 1562	275	124.7



Ceiling Mounted Demo Mirrors



model #	MIRROR SIZE		weight	
	width	length*	lbs.	kg
CMM49	24¼"	49½"	90	40.8
CMM61	24¼"	61½"	115	52.2

* Does not include post length.

EAGLE GROUP
 100 Industrial Boulevard, Clayton, DE 19938-8903 USA
 Phone: 302-653-3000 • Fax: 302-653-2065
 www.eaglegrp.com

Foodservice Division: Phone 800-441-8440
 MHC/Retail Display Divisions: Phone 800-637-5100

Printed in U.S.A.
 ©2018 by Eagle Group
 Rev. 08/18

Spec sheets available for viewing, printing or downloading from our online literature library at www.eaglegrp.com

Although every attempt has been made to ensure the accuracy of the information provided, we cannot be held responsible for typographical or printing errors. Information and specifications are subject to change without notice. Please confirm at time of order.