



4004503  
 Conforms to NSF/ANSI STD 7  
 and UL 60335-2-89  
 Certified to CSA 60335-2-89  
 Listed to NSF Standard 7  
 as a refrigerated food preparation unit

Note: Bottles not included.  
 Tablecraft 916 olive oil  
 bottles are recommended

|                          |            |
|--------------------------|------------|
| Project: _____           | AIA# _____ |
| Item #: _____ Qty: _____ | SIS# _____ |
| Model #: _____           |            |

## Cocktail Prep Cooler Patent Pending

|            |       |
|------------|-------|
| <b>CPC</b> | CPC24 |
|------------|-------|

### Standard Features

- Self-contained
- Drink rail top with removable perforated insert
- Chilled garnish rail for six 1/9 pans (4" deep)
- Bottle rail for eight elixir bottles
- Removable cutting board
- Locking drawer
- Interior drawer with capacity for six 1/9 pans (4" deep)
- Twelve 1/9 pans with lids included
- Insulated night cover
- Adjustable stainless steel bullet feet

### Specifications

|                         |                   | CPC24   |
|-------------------------|-------------------|---|
| Dims.                   | Length            | 24"   |
|                         | Door Opening      | 20"   |
| Electrical              | Electrical Supply | 120V, 1 phase, 60 Hz, Dedicated 15A circuit required  |
|                         | Full Load Amps    | 2.20  |
|                         | Plug Type         | 8 foot NEMA 5-15P grounded cord and plug which exits the back of the refrigeration compartment* |
| Refrigeration           | Refrigerant       | R290 - 105 grams, 3.7 oz., 0.23 pounds  |
|                         | Compressor        | Reciprocating, 1/8 HP, 1000 BTUH, 0.08 Tons   |
|                         | Heat Rejection    | 901 BTUH  |
| Operating Range         |                   | 34°F (1°C) to 40°F (4.4°C)  |
| Plumbing                |                   | Automatic condensate evaporator. No drain connection required †                                 |
| Weight Bearing Capacity |                   | N/A   |

#### Materials

- Stainless steel parts include: exterior top, interior, legs, sides, and drawers
- Galvanized steel parts include: back and bottom
- Zinc plated CR steel parts include: leg sockets
- HDPE cutting board material, FDA approved, white

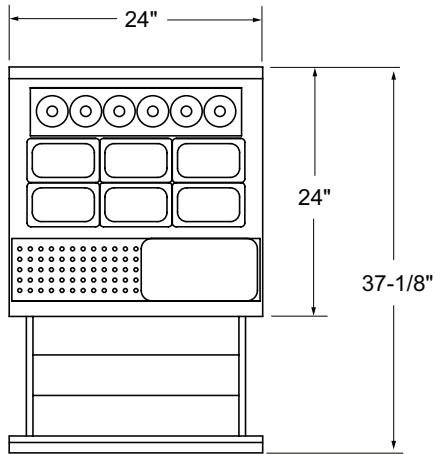


† Building conditions outside the guidelines of ASHRAE 55 and ASHRE 62.1 may need to be plumbed to a drain.

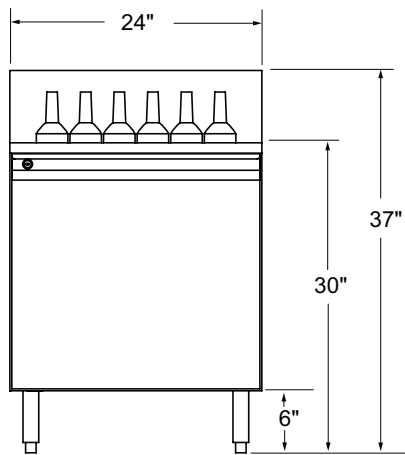
|   |                 |
|---|-----------------|
| <b>Glastender, Inc.</b> • 5400 N Michigan Rd • Saginaw, MI • 48604-9780<br>989.752.4275 • 800.748.0423 • Fax 989.752.4444<br><a href="http://www.glastender.com">www.glastender.com</a> | Approval/Notes: |
| Specifications subject to change without notice. For current specifications please visit our website.   |                 |

# Coolers - Cocktail Prep

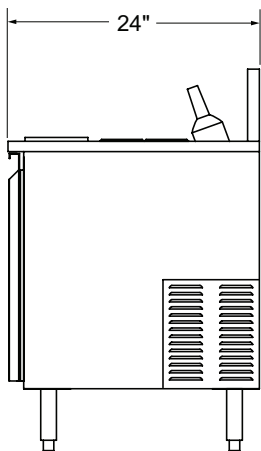
## Drawings



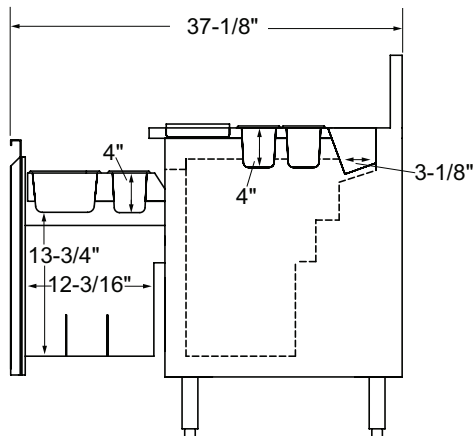
PLAN VIEW



FRONT VIEW



SIDE VIEW



SECTION VIEW

