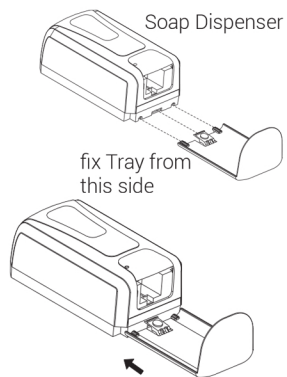
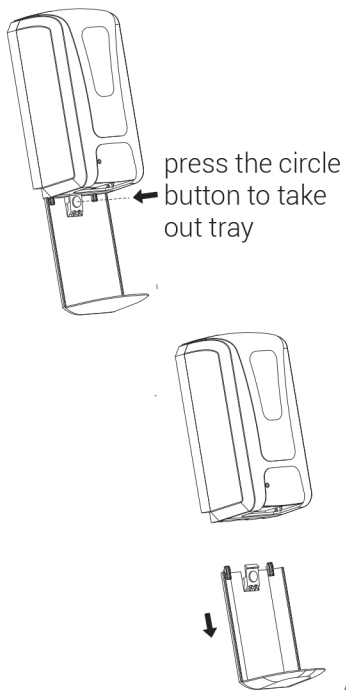


Item # 430-F-S | Automatic Hands-Free Foam Hand Sanitizer/Soap Dispenser with Stand, 1200 mL, White

Installation

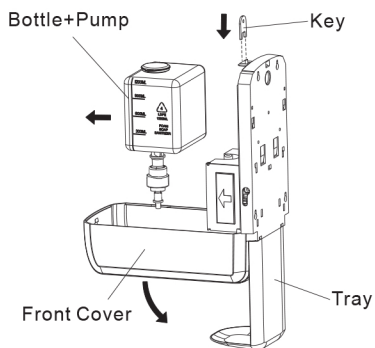


Take out Tray



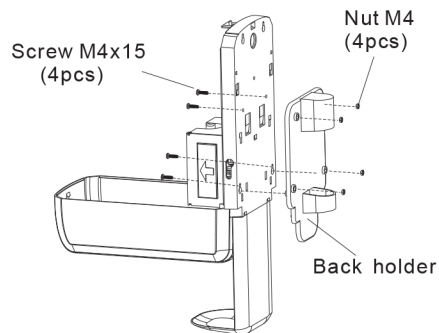
STEP 1

Open it with key, take out the bottle and pump



STEP 2

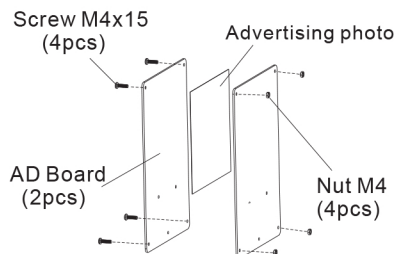
Install the back holder with dispenser



Install Back Holder

STEP 3

Put Advertising photo inside of 2 pcs AD board

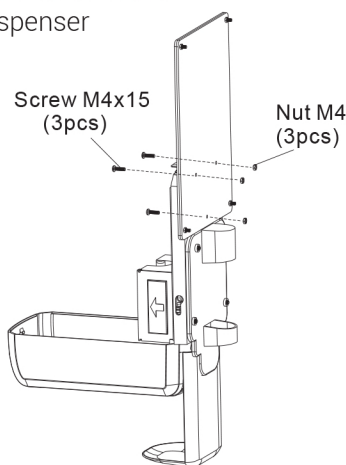


* Advertising photo size: 18x 18cm

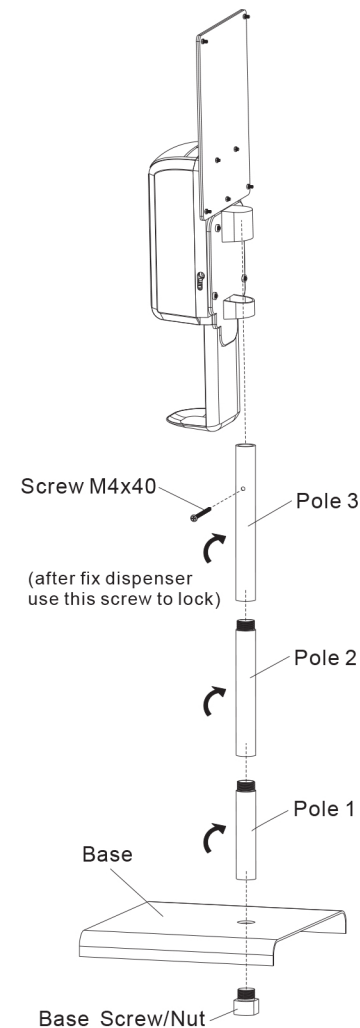
Install AD Board (If Needed)

STEP 4

Install the AD Board on dispenser

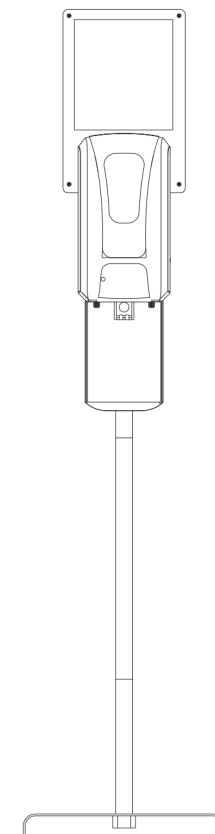


STEP 5



Install Pole and Base

STEP 6



* fix 4 pcs C size batteries, fill liquid and turn on the switch. enjoy your health hand sanitizing.

Enjoy hand sanitizing