



Project Name: _____

Location: _____

Item #: _____ Qty: _____

Model: _____

LUIM-500 MODULAR ICE MACHINE

MODEL: LUIM500



LUIM-500 modular, air-cooled ice machines are designed for high volume ice production application. The modular units are compatible with most ice storage bins and beverage dispensers. Available in both full or half dice cubes, the stainless steel and black trim exterior features a hinged front panel for easy cleaning and servicing. The digital controls, vertical evaporator and proven ice making technology will deliver years of reliable ice production.

FEATURES AND CONSTRUCTION

- Stainless steel, black trim exterior
- Air-cooled compressor
- Programmable, user-friendly digital controls
- Digital screen displays ice machine status
- Automatic cleaning cycle and bin overflow prevention
- Power for unit also illuminates the internal LED light
- Hinged front panel for easy cleaning and service
- Units are stackable for increased ice production (optional adapter is required)

DAILY ICE PRODUCTION

Air Temp 70°F (21°C) / Water Temp 50°F (10°C)

LUIM-500 521 lbs/day

Air Temp 90°F (32°C) / Water Temp 70°F (21°C)

LUIM-500 381 lbs/day

ICE BIN STORAGE CAPACITY

LUIB-470..... 470lbs

OPERATING REQUIREMENTS

Ambient Air Temperature Range..... 50° to 100°F (10° to 38°C)

Water Temperature Range 40° to 90°F (4° to 32°C)

Water Usage per 100 lbs of ice..... 13.3 Gallons

Water Supply Line Connection 3/8" FPT

Water Pressure Range:

Min PSI..... 15 Max PSI 80*

Min Bar 1.0 Max Bar..... 5.5

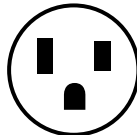
*Above 80 PSI requires a regulator

Energy Consumption per 100 lbs of ice:

LUIM-500 5.5kWh/100 lb

ELECTRIC

115V / 60Hz
International voltage available
6' (2m) NEMA 5-15P cord set included



NEMA 5-15P

3RD PARTY APPROVALS



Conformed to UL 563



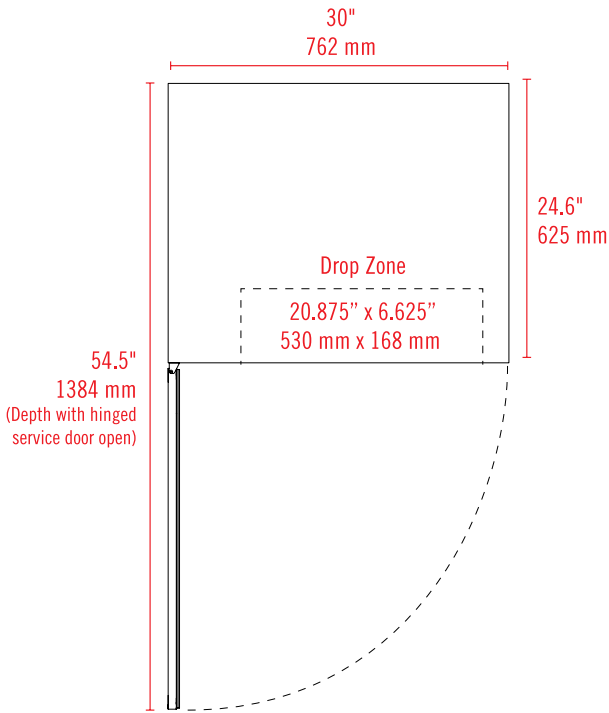
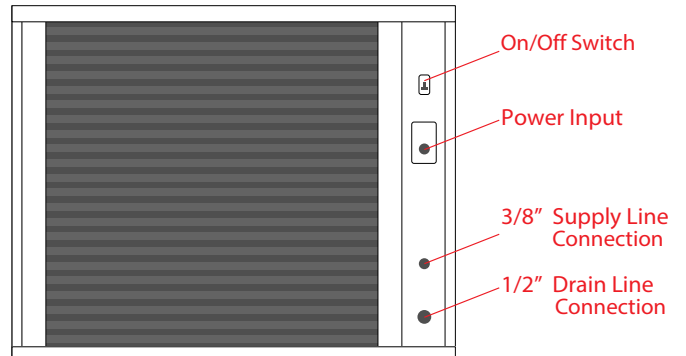
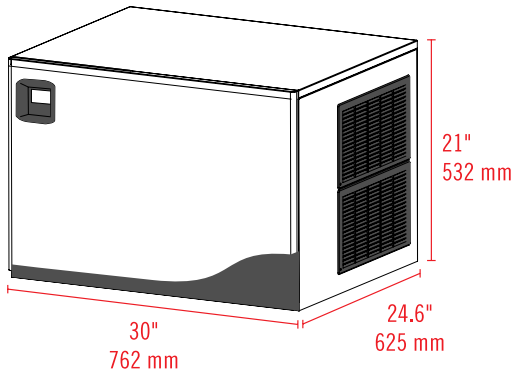
Tested and certified by NSF to NSF/ANSI standard 12



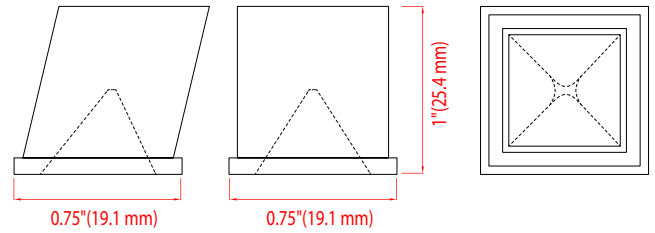
Zero Ozone Depletion Potential

LUNAR ICE WARRANTY (USA/CANADA)

These units are backed by a 1-year limited parts and labor (parts only warranty for Canada) warranty and a 5-year warranty on the compressors and evaporator. For warranty, non-warranty related issues and technical support call NSA at 877-672-7740 or contact support@admiralcraft.com.



FULL DICE CUBE



MODEL	EXTERNAL DIMENSIONS	DAILY ICE PRODUCTION (70°F Air / 50°F Water)	ICE BIN STORAGE CAPACITY	NET WEIGHT / SHIPPING WEIGHT	AMP DRAW (NOMINAL/MAX)	REFRIGERANT AND CHARGE SIZE	ELECTRICAL	SHIPPING DIMENSIONS
LUIM500	30" x 24.6" x 21"	521 lbs	470lbs	120lbs / 150 lbs	7/9.3A	R404A, 24.5 OZ	115V/60Hz	26 1/16" x 26 3/16" x 35 7/16"

INSTALLATION

- A clearance of 2" from the wall is recommended to promote adequate cooling air circulation
- A gravity drain line is required to install this ice machine
- For optimal performance, the use of a water filter is recommended