



SG4

Single Deck Gas Convection Oven



SELL SHEET

Model SG4

Shown on optional casters



SPECIFICATIONS

Single section, gas convection oven, Vulcan Model No. SG4. Stainless steel front, sides and top. Painted legs. Independently operated stainless steel doors with double pane windows. Non-sag insulation applied to the top, rear, sides, bottom and doors. Porcelain enamel on steel oven interior measures 29"W x 22 1/8"D x 20"H. Two interior oven lights. Five nickel plated oven racks measure 28 3/4" x 20 1/2". Eleven position nickel plated rack guides with positive rack stops. One 60,000 BTU/hr. burner. Gentle bake selector switch. Electronic spark igniter. Furnished with a two speed 1/2 H.P. oven blower-motor. Oven cool switch for rapid cool down. Equipped with 6' cord and plug. Requires 120 volt, 60 Hz, 1 ph power supply providing 7.7 amps draw.

Exterior Dimensions:

40 1/4"W x 41 1/8"D (includes motor & door handles) 37 3/4"D (includes motor only) x 54 3/4"H on 23 3/4" legs with feet. 23 3/4" legs can adjust an additional 1" in length. Legs with casters are adjustable from 28" to 29 1/8" in length.

CSA design certified. NSF listed.

Specify type of gas when ordering.

Specify altitude when above 2,500 FT.

Project _____

AIA # _____ SIS # _____

Item # _____ Quantity _____ C.S.I. Section 114000

MODELS

- SG4** Solid state temperature controls adjust from 150° to 500°F. 60 minute timer with audible alarm.

STANDARD FEATURES

- 60,000 BTU/hr. burner
- Gentle bake mode selector switch
- Solid state temperature controls adjust from 150° to 500°F
- 60 minute timer with audible alarm
- Oven cool switch for rapid cool down
- Electronic spark igniter
- Independently operated stainless steel doors with double pane windows
- Stainless steel front, sides and top
- Painted legs
- 1/2 H.P. two speed oven blower-motor. 120/60/1 with 6' cord and plug. 7.7 amps total draw
- Porcelain coated enamelled steel
- Five nickel plated oven racks with eleven rack positions
- 3/4" rear gas connection with combination gas pressure regulator and safety solenoid system
- One year limited parts and labor warranty

OPTIONS

- Casters
- 208V or 240V, 60 Hz, 1 ph, two speed, 1/2 H.P. blower motor. 208V, 4.2 amps; 240V, 3.6 amps
- Second year extended limited parts and labor warranty

ACCESSORIES

- OPNSTND-LEGS/SS** - Stainless steel open stand with adjustable rack supports, stainless steel shelf and choice of adjustable feet or casters
- MARINE-TOP** - Oven/steamer accessory kit. Includes stainless steel marine edge top. Requires 8" legs in lieu of standard legs
- RACK-1PCNEW** - Extra oven rack(s)
- RACK-HANGRV** - Rack hanger
- DRIPPAN-SSDD** - Stainless steel drip pan
- 3/4QD-HOSE-4** - Flexible gas hose with quick disconnect and restraining device.
- DRAFT-DIVERT** - Down draft flue diverter for direct vent connection
- HTSHLD-LH/V** or **HTSHLD-RH/V** Stainless steel rear enclosure

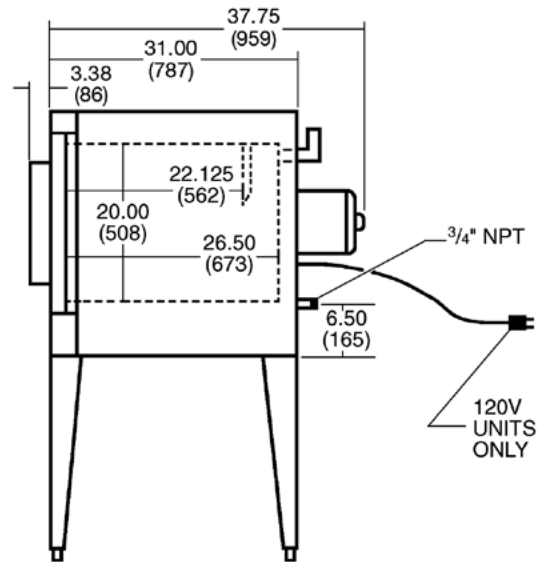
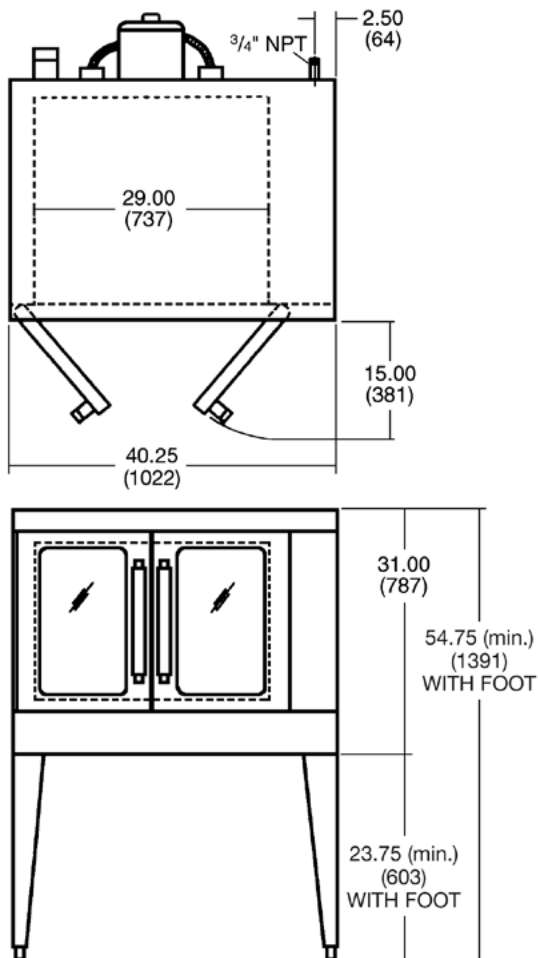
SG4 – Single Deck Gas Convection Oven

Approved by _____ Date _____ Approved by _____ Date _____

INSTALLATION INSTRUCTIONS

1. A combination gas pressure regulator and safety solenoid system is included in this unit. Natural gas is 5.0" W.C., Propane gas is 10.0" W.C.
2. An adequate ventilation system is required for commercial cooking equipment. Information may be obtained by visiting the National Fire Protection Association website at <https://www.nfpa.org/>. Refer to NFPA No. 96.
3. These units are manufactured for installation in accordance with ANSZ223.1A (latest edition), National Fuel Gas Code. Information may be obtained from The American Gas Association website at <https://www.aga.org/>.
4. Clearances:

	Combustible	Non-combustible
Rear	0"	0"
Right Side	2"	0"
Left Side	1"	0"
5. This appliance is manufactured for commercial installation only and is not intended for home use.
6. The installation location should not experience temperatures below -20°C (-4°F).



Model	Width	Depth (Includes Handles)	Height	Total BTU/hr.	Electrical	Weight			
						With Skid & Packaging		Without Skid & Packaging	
						Lbs.	KG	Lbs.	KG
SG4	40¾"	41⅛"	54¾"	120,000	120/60/1	464	211	410	186

As continued product improvement is a policy of Vulcan, specifications are subject to change without notice.