

Project: _____	AIA# _____
Item #: _____ Qty: _____	SIS# _____
Model #: _____	

## Clip-On Wet Wastes

<b>CWET</b>	CWET-GW, CWET-24, CWET-30
-------------	---------------------------

### Drawings

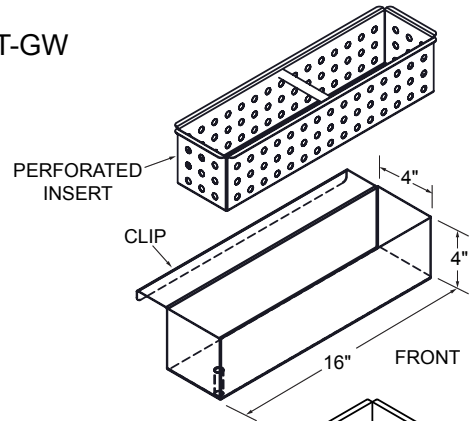


CWET-24  
 (shown installed on a GW24)

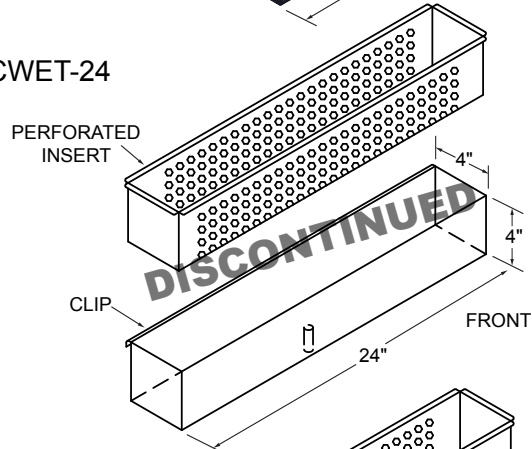
#### Standard Features

- CWET-GW designed to clip on the front of the GW24 (no provision to clip on side)
- CWET-24 designed to clip onto the front or side of the GT-24
- CWET-30 designed to clip onto the front or side of the GT-30
- Constructed of 18 ga. stainless steel
- Includes removable stainless steel perforated insert
- 1/2" welded tailpiece drain

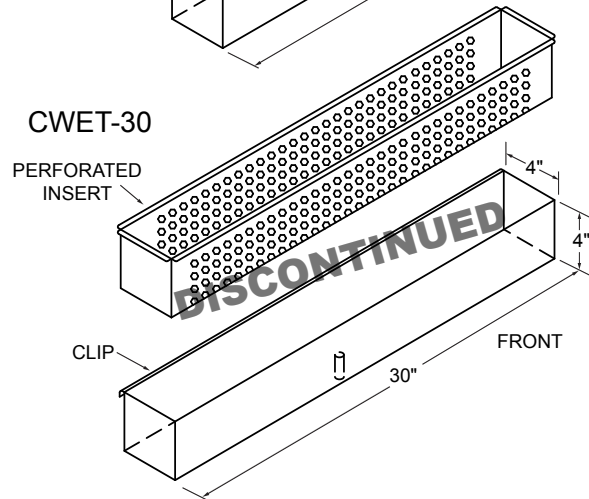
CWET-GW



CWET-24



CWET-30



To view cleaning and care instructions, please visit:  
[https://www.glastender.com/PDF/F-423-011\\_ss\\_clean\\_care.pdf](https://www.glastender.com/PDF/F-423-011_ss_clean_care.pdf)

<p><b>Glastender, Inc.</b> • 5400 North Michigan Road • Saginaw, MI • 48604-9780                  989.752.4275 • 800.748.0423 • Fax 989.752.4444  <a href="http://www.glastender.com">www.glastender.com</a></p> <p>Specifications subject to change without notice. For current specifications please visit our website.</p>	<p>Approval/Notes:</p>
---	------------------------