



BL1048S, BL1360S, BL1660S - Storage Bins

Large Modular Storage Bins

Features and Benefits

Durable Construction:

- Stainless Steel Exterior
- Corrosion resistant bin liner

Easy to Use:

- Spring loaded door allows for one-hand open and close
- Ice shield reduces spills and controls ice flow
- Maximum accessibility for easy ice removal

Fast and Easy Installation:

- Comes assembled
- Includes stainless steel universal adapter plate for most ice maker setups
- Includes 82 oz plastic ice scoop
- Includes 6" adjustable legs



Storage Capacity

| BL1048S | BL1360S | BL1660S |
|----------------------|----------------------|----------------------|
| Application Capacity | Application Capacity | Application Capacity |
| 1000/454 lb/kg | 1320/599 lb/kg | 1660/753 lb/kg |

Application capacity is based on 90% of total volume in cubic feet x 34 lb/ft³



First Ice In First Ice Out

The first ice that drops in the bin is the first ice that comes out and is used, ensuring fresh tasting all the time.



Accessories

| Model Number | Description |
|--------------|---|
| KBT70 | Kit, Bin top for use with (2) 30" heads on BL1360 or BL1660 |
| KBT71 | Kit, Bin top for use with 22" EH222 on BL1048 |
| KBT72 | Kit, Bin top for use with (2) EH222 on BL1048 |
| KBT73 | Kit, Bin top for use with EH222 on BL1360 or BL1660 |
| KBT74 | Kit, Bin top for use with (2) EH222 on BL1360 or BL1660 |



Certification



Polyurethane Insulation

Foam insulation is forced between the wall and liner under heat and pressure to form a perfect wall to wall bond, preserving ice supply for long periods.



Warranty

- 5 years parts and labor on all components.
- Warranty valid in North, South & Central America for commercial installations.
- Contact factory for warranty in other regions.
- Residential Applications: 1 year parts and labor

BL1048S, BL1360S, BL1660S - Storage Bins

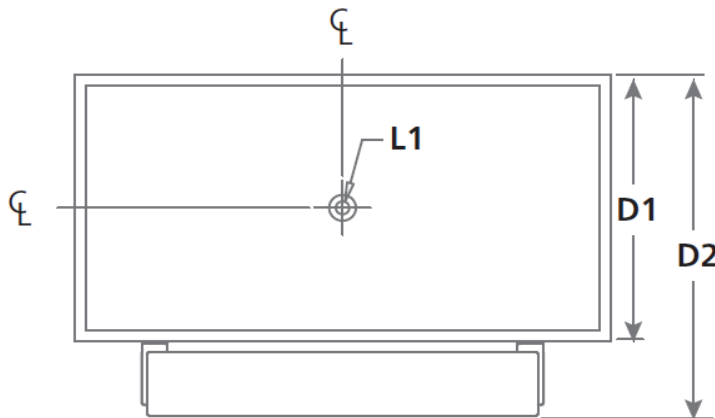
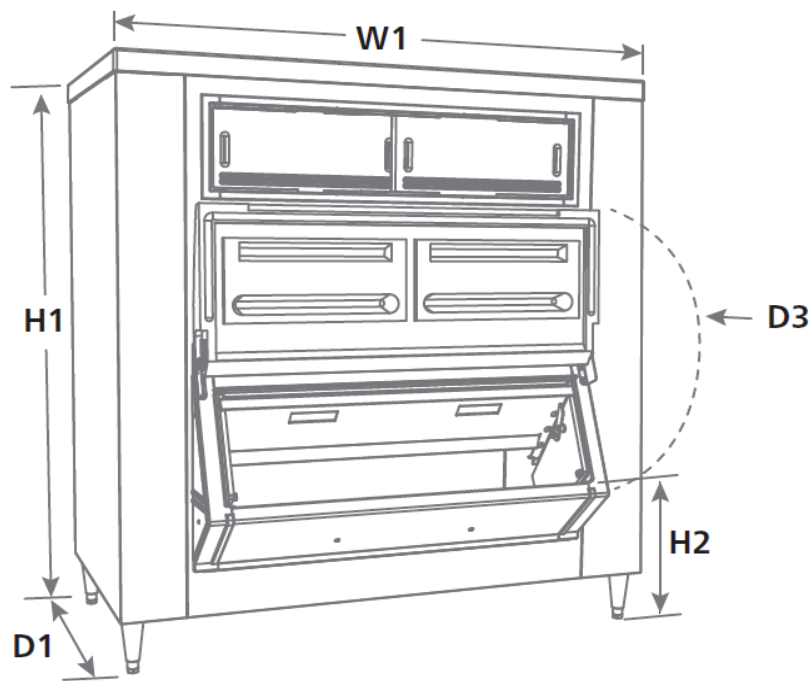


- 101 Corporate Woods Parkway, Vernon Hills, IL 60061 •
- 1-800-SCOTSMAN • Fax: 847-913-9844 • www.scotsman-ice.com • customer.relations@scotsman-ice.com •

BL1048S, BL1360S, BL1660S - Storage Bins

Large Modular Storage Bins

BL1048S, BL1360S, BL1660S - Storage Bins



Dimensions and Weight Details

| Model | W1 | D1 | D2 | D3 | H1 | H2 | L1 | Shipping Weight (lb/kg) |
|---------|----------------|---------------|---------------|------------------|------------------|---------------|--------|-------------------------|
| BL1048S | 48" (121.9 cm) | 31" (78.7 cm) | 39" (99.1 cm) | 49.5" (125.7 cm) | 54.4" (138.2 cm) | 19" (48.3 cm) | 1" FPT | 268/122 |
| BL1360S | 60" (152.4 cm) | 31" (78.7 cm) | 39" (99.1 cm) | 49.5" (125.7 cm) | 54.4" (138.2 cm) | 19" (48.3 cm) | 1" FPT | 322/147 |
| BL1660S | 60" (152.4 cm) | 31" (78.7 cm) | 39" (99.1 cm) | 49.5" (125.7 cm) | 63.4" (161 cm) | 19" (48.3 cm) | 1" FPT | 340/154 |

an Ali Group Company

- 101 Corporate Woods Parkway, Vernon Hills, IL 60061
- 1-800-SCOTSMAN Fax: 847-913-9844
- www.scotsman-ice.com customer.relations@scotsman-ice.com



The Spirit of Excellence

Scotsman

SIS-SS-BIN-BL 03-22

© 2022 Scotsman Ice Systems.