

Item No. _____



microSC™

The natural refrigerant case solution!

SIM4AA

Self Service Island Mobile 4-Sided Viewable / Accessible Display

Advantages

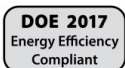
- Increase Impulse Buys
- Bring visibility and attention to promo items to increase sales anywhere in the store
- Merchandising Flexibility
- Merchandise a wide variety of products like meat, deli, produce or bakery with optional risers and dividers
- Ease of Ownership
- The easiest display to install, move, and maintain
- Location Flexibility
- Plug & play design with casters and standard 115v plug allow you to feature products anywhere in the store

Key Features

- Crystal clear plexiglass upper display
- NSF Type I and II operating conditions
- Patented high efficiency louvers and airflow design
- High efficiency and low energy consumption of just 8.2 kWh/day
- Standard NEMA 5-15 P
- Hussmann microSC utilizes R-290 (propane) refrigerant
- 2 Year Limited Warranty

Options

- Bumper: 1000 Series 1" Black Vinyl
- or 3/4" Slim Square Stainless Tube
- Recessed Locking Casters
- Leveler Legs
- 4" Riser Accessory
- Movable Internal Dividers



AIA # _____

Hussmann Corporation

12999 St. Charles Rock Rd.
Bridgeton, MO 63044-2483
Ph: 800.592.2060

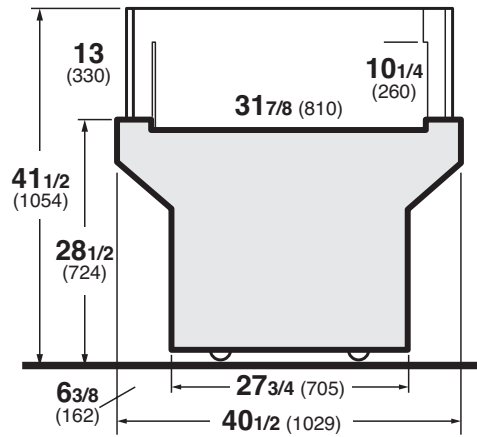
www.hussmann.com

©2023 Printed in U.S.A.

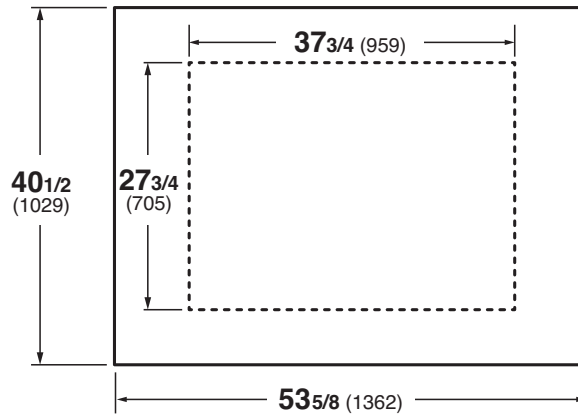
Document # | Revision

SIM4AA

Self Service Island Mobile 4-Sided Viewable / Accessible Display



Section view



Plan view

AIA #

Model	L	D	H	Discharge Air	Intake /Exhaust	Ref.	Volts	Run Amps	Noise	Cord Length	Weight	Defrost
SIM4AA	53-5/8" (1362)	40-1/2" (1029)	41-1/2" (1054)	21°-28°F	Front /Back	R290	120V	3.1	63db	8'	432 (196kg)	Off Time

Bidding specifications



[DATA SHEET](#)

For more detailed information scan or click above.

We reserve the right to change or revise specifications and product design in connection with any feature of our products. Such changes do not entitle the buyer to corresponding changes, improvements, additions, or replacements for equipment previously sold or shipped. For additional resources, contact your representative or visit www.hussmann.com.



12999 St. Charles Rock Rd.
Bridgeton, MO 63044-2483
Ph: 800.592.2060

www.hussmann.com