



Project \_\_\_\_\_  
 AIA # \_\_\_\_\_ SIS # \_\_\_\_\_  
 Item # \_\_\_\_\_ Quantity \_\_\_\_\_ C.S.I. Section 114000

## UHT SERIES

Compact Undercounter with Drawers  
 Refrigerator Models/Self-Contained



### STANDARD PRODUCT FEATURES

- Stainless Steel Exterior Top, Sides & Drawers
- Front Breathing Self-Contained Refrigeration System
- Environmentally Friendly, Low GWP R290 Refrigerant
- Automatic Non-Electric Condensate Evaporator
- Electronic Control
- Full-Length Drawer Handle with Gasket Guard
- Magnetic Snap-In EZ-Clean™ Drawer Gasket(s)
- Self-Closing Stainless Steel Drawers with Stay-Open Feature
- Heavy Gauge Stainless Steel Drawer with Slide
- 8' Cord & Plug Attached
- Set of Four (4) 4" High Casters

### ACCESSORIES & OPTIONS (\*field installed)

- CK20 (four 6" (15.2 cm) high casters for 27" models)
- CK24 (four 3½" (8.9 cm) high casters for 27" models)
- CK26 (four 2¾" (6.9 cm) high casters for 27" models)
- CK28 (four 2½" (6.4 cm) high casters for 27" models)
- LK4 (four 6" (15.24 cm) high legs for 27" models)
- CU27TOP BSWO (heavy gauge stainless steel top with 4" backplash 27")
- Optional accessory kits shipped separately for field installatio

### FACTORY INSTALLED OPTIONS

Stainless Steel Finished Back (model numbers will have '-SB' suffix)



Models listed to the applicable UL, CSA and NSF standards by an approved NRTL. Consult the factory or unit data plate for additional information.

## AVAILABLE CONFIGURATIONS

27" Wide Model

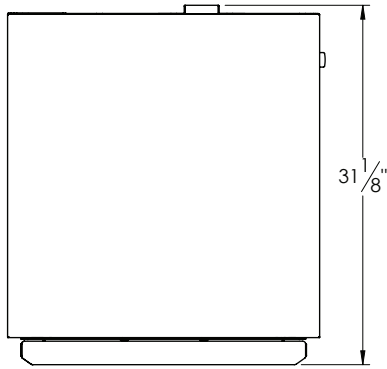
**Model**  
 UHT27-D

**Style**  
 Two Drawer Refrigerator

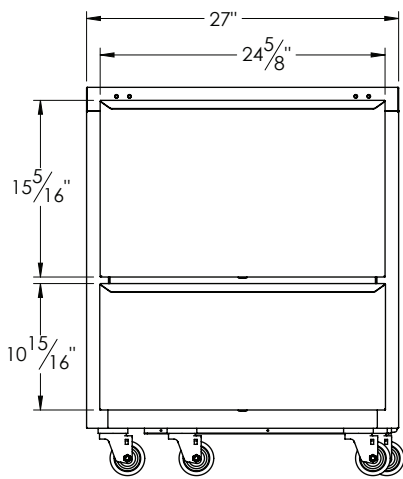
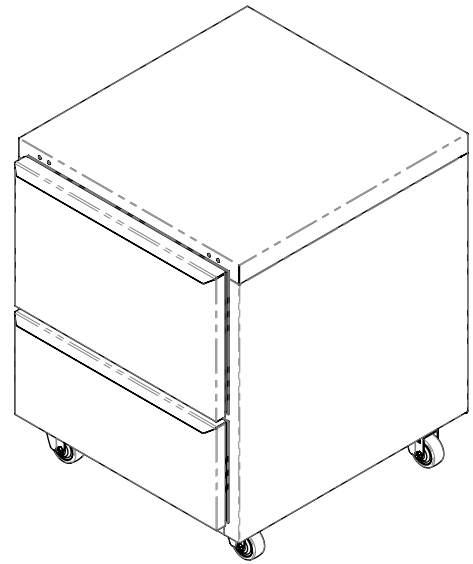
Approved by \_\_\_\_\_ Date \_\_\_\_\_ Approved by \_\_\_\_\_ Date \_\_\_\_\_

**MODEL:**

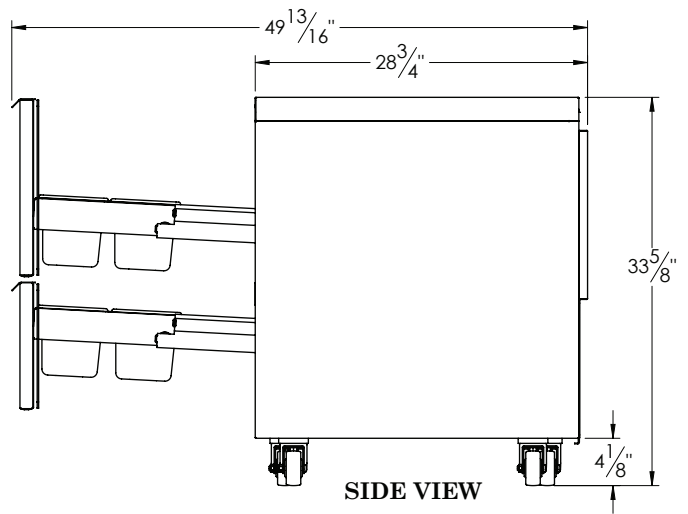
UHT27-D



**TOP VIEW**



**ELEVATION**



**SIDE VIEW**



# UHT SERIES

## Compact Undercounter with Drawers Refrigerator Models/Self-Contained

### MODEL:

UHT27-D

### EQUIPMENT SPECIFICATIONS

MODEL	UHT27-D
<b>DIMENSIONAL DATA</b>	
Net Capacity cu. ft.	6.79 (192 l)
# of 1/6 size pans per drawer	6
# of drawers per cabinet	2
# of 1/6 size pans per cabinet	12
Length - overall in.	27 (68.6 cm)
Depth - overall in.	28 <sup>3</sup> / <sub>8</sub> (73 cm)
Depth - drawer open in.	49 <sup>13</sup> / <sub>16</sub> (126.5 cm)
Width drawer in.	24 <sup>5</sup> / <sub>8</sub> (62.5 cm)
Height - overall on 4" casters	33 <sup>5</sup> / <sub>8</sub> (85.4 cm)
<b>ELECTRICAL DATA (NEMA 5-15P attached)</b>	
Voltage	115/60/1
Full Load Amps   KWH/24HR <sup>1</sup>	7.2   4.15
<b>REFRIGERATION DATA</b>	
Refrigerant	R-290
Refrigerant Amount oz.	3 (85 g)
BTU/HR <sup>2</sup>   H.P.	1680   1/5 HP
<b>SHIPPING DATA</b>	
Length - crated in.	45 (114 cm)
Width - crated in.	42 (107 cm)
Height - crated in.	41 (104 cm)
Volume - crated cu. ft.	53 (1501 l)
Weight - crated lbs.	219 (99 kg)

### NOTES:

1. KWH/24HR = Kilowatt usage per 24 hours
2. Based on a 90°F ambient and 20°F evaporator.

### CONSTRUCTION, HARDWARE, INSULATION

Cabinet exterior front, one piece sides, and drawers are constructed of heavy gauge stainless steel. The cabinet is insulated with an average of 2" thick high density, non-CFC, foamed in place polyurethane.

### REFRIGERATION SYSTEM

A balanced, rear mounted, front breathing, self-contained refrigeration system using environmentally friendly R-290 refrigerant is provided. It features a capillary tube, air cooled hermetic compressor, a forced air evaporator coil and a non-electric condensate evaporator. An 8' (2.4m) NEMA cord and plug is provided. Standard operating temperature for refrigerator is 34° to 38°F (1.1° to 3.3°C).

### CONTROLLER

An electronic digital control is supplied standard. It includes a 3-Digit LED display, and a Fahrenheit or Celsius temperature scale display capability.

### DRAWERS

They are constructed using heavy gauge stainless steel drawer slides and 1 5/16" diameter stainless steel rollers. Gasket profile and material simplify cleaning and increase overall gasket life. Drawers include both a self-closing and stay-open feature.

### DOMESTIC WARRANTY

Both a six year parts and labor warranty and a seven year compressor warranty (self-contained models only) are provided standard.

When ordering please specify: Voltage, Hinging, and Options.

Equipped with one NEMA 5-15P Plug



CONTINUED PRODUCT DEVELOPMENT MAY NECESSITATE SPECIFICATION CHANGES WITHOUT NOTICE.