

Insulated Self-Contained Kettle

**Gas-Fired, 2/3 Jacketed
Insulated for Safety™
Deep Drawn Construction
Stationary, Floor Mounted
Made in USA**

Model LGB

STANDARD FEATURES



- ◆ Kettle System
 - ◇ Seamless deep-drawn 304 kettle liner with a integrally formed radius lip
 - ◇ 304 stainless draw-off tube and welds
 - ◇ 304 stainless 2" compression draw-off
- ◆ 304L stainless kettle jacket
- ◆ Kettle protection system
 - ◇ Thermostat temperature control, 150°F - 260°F
 - ◇ Pressure relief valve
 - ◇ Air eliminator valve
 - ◇ Pressure gauge
 - ◇ Jacket-water fill and sight glass
 - ◇ Automatic low water cut off and indicator light
 - ◇ Safety pilot control
- ◆ Full body insulation between kettle jacket and outer casing
- ◆ Electronic ignition, 120V Standard
- ◆ 304 stainless outer casing seam welded to radius lip
- ◆ 304 stainless, seam welded control console
- ◆ 304 stainless, one piece, domed cover, actuator-assisted on 40 - 125 gallon
- ◆ Perforated disc strainer, 1/4" holes
- ◆ Adjustable bullet feet

Standard Model LGB-40 & Low-Rim™ Model LGB-40F

Shown with Legion Kettle Tools

Legion equipment is built to comply with applicable standards for manufacturers. Approval agencies may include ASME, NSF, UL, ETL, AGA, CSA, CGA, and others. Legion reserves the right of design improvement or modification as warranted.

Models and Capacities

LGB-20	20 gal.	76 l.
LGB-25	25 gal.	95 l.
LGB-30	30 gal.	114 l.
LGB-40	40 gal.	151 l.
LGB-50	50 gal.	190 l.
LGB-60	60 gal.	227 l.
LGB-80	80 gal.	303 l.
LGB-100	100 gal.	379 l.
LGB-125	125 gal.	474 l.

Select draw-off valve: 2" 3"*

With: compression ball type fitting

See price list for other draw-off options.

*If a 3" diameter draw-off valve is required, contact Legion for applicable dimensions.

Select voltage: 120V 208V 240V

Select gas: Natural Propane (LP) Other

Revision 512

Optional Features and Accessories

See price list for supplemental information regarding options

Faucet Options:

- Single or dual faucet with bracket & 12" or 18" swing nozzle
- 48" flexible spray hose assembly (vinyl or stainless) for dual or single faucet
- Faucet bracket
- Automatic water filling meter

(Call for information regarding additional faucet options)

Prison/Security Options:

- Fasteners (screws & nuts)
- Nut driver tool
- Draw-off nut driver tool
- Screw driver tool
- Lockable control cover
- Lockable lid
- Draw-off protection

Feet:

- Adjustable flanged feet

Other Options:

- Electric timer with buzzer
- Pressure switch
- Mixer/agitator, 2 speed
- Gas quick disconnect 1/2"
- Flexible gas hose 1/2" x 60"

Accessories:

- Draw-off drain hose
- Measuring strip
- Disc strainer; solid or perforated, 1/8" or 1/4"
- Care kit

Covers:

- Lift-off or 2 piece hinged
- 1 piece actuator-assisted, 20 - 30 gal.

Baskets:

- Single basket, 20 - 40 gal.
- Tri-basket insert
- Nylon bag insert with spreader ring



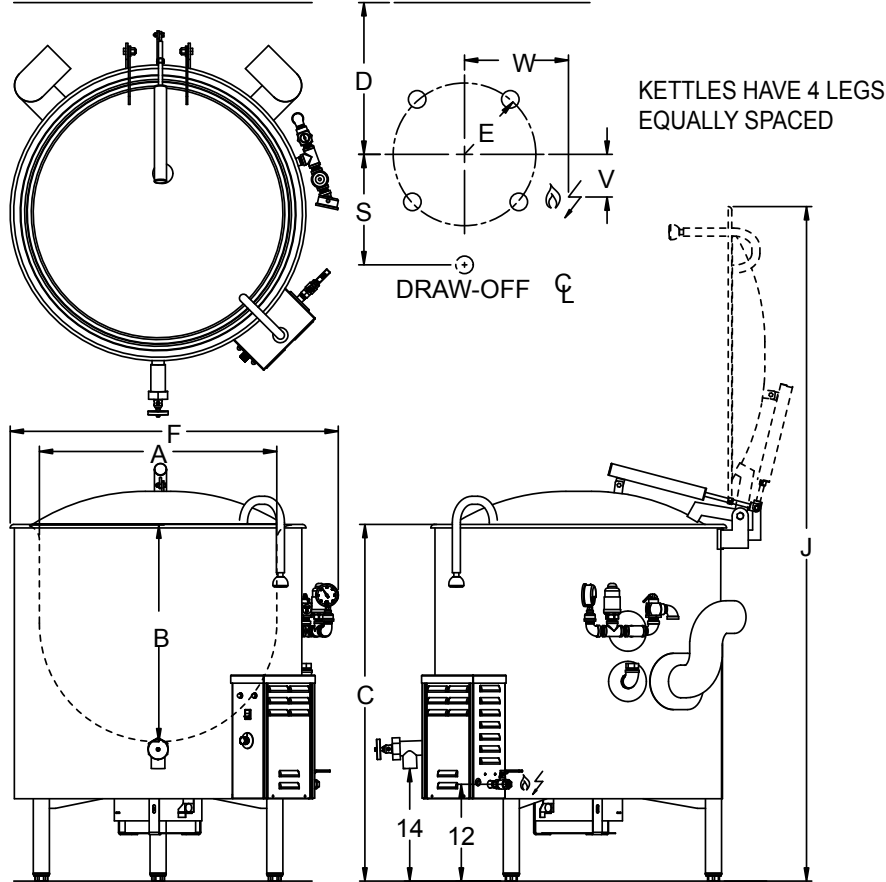
LEGION Legion Industries, Inc. P. O. Office Box 728 Waynesboro, GA 30830 (800) 887-1988
(706) 554-4411 Fax: (706) 554-2035 www.legionindustries.com sales@legionindustries.com

Model LGB

Gas-Fired, 2/3 Jacketed
Insulated for Safety™
Deep Drawn Construction
Stationary, Floor Mounted
Made in USA

Insulated Self-Contained Kettle

DRAWING REPRESENTS 60 GALLON MODEL



MODEL LGB DIMENSIONS

Gal.	A	B	C	D	E	F	J	S	V	W
20	22.0	16.0	32.0	24.1	12.9	34.4	64.0	17.2	9.1	16.2
25	23.0	17.8	34.4	24.6	13.4	35.4	67.4	17.7	9.4	16.5
30	23.0	20.3	37.1	24.6	13.4	35.4	70.1	17.7	9.4	16.5
40	25.5	22.3	42.0	25.8	14.6	37.1	77.5	18.9	10.3	17.4
50	29.5	21.8	38.4	27.8	16.6	41.1	77.9	20.9	11.8	18.8
60	29.5	25.0	41.7	27.8	16.6	41.1	81.2	20.9	11.8	18.8
80	32.5	27.6	45.1	29.3	18.1	44.1	87.6	22.4	12.8	19.9
100	39.0	25.9	43.4	32.6	21.4	50.6	92.4	25.7	15.1	22.2
125	44.0	26.4	43.3	35.1	23.9	55.6	97.3	28.2	16.9	24.0

Gal.	BTU RATING		Natural	Propane	Electrical
	Natural	Propane			
20	63,200	59,600	Supply Piping: 1/2" IPS	Supply Piping: 1/2" IPS	120 volt (standard) 208/240 volt (optional) 50/60 Hz 1 Phase 1 Amp
25	66,700	67,800			
30	66,700	67,800			
40	79,900	83,100	Supply Piping: 3/4" IPS	Supply Piping: 3/4" IPS	
50	106,800	108,500			
60	106,800	108,500			
80	131,400	131,100	Supply Pressure: 5-7" W.C. (nominal)	Supply Pressure: 12-14" W.C. (nominal)	
100	154,800	149,200			
125	154,800	149,200			
			Outlet Pressure Factory Setting: 3.5" W.C.	Outlet Pressure Factory Setting: 10.0" W.C.	

Revision 512



LEGION Legion Industries, Inc. P.O. Office Box 728 Waynesboro, GA 30830 (800) 887-1988
(706) 554-4411 Fax: (706) 554-2035 www.legionindustries.com sales@legionindustries.com