

PW-12-SSR

NOTE: Faucet handles not included.

Project: _____	AIA# _____
Item #: _____ Qty: _____	SIS# _____
Model #: _____	

Pipe Wall Tower

PW- -

Size: Specify the number of faucets from 4, 6, 8, 10, 12, 14, 16

Finish:
 SS = Grainline
 MF = Mirror

Standard Features

- 1/4" stainless steel shanks with 3/16" restriction lines
- Includes all stainless steel faucets
- Surface mount, stainless steel drain pan with removable, perforated insert
- Glycol cooled for recirculating system

Configurable Options

- 4, 6, 8, 10, 12, 14 or 16 faucets
- Grainline or mirror finish
- Rinser faucet left, right, or both sides of the drain pan
- Product lines left or right (excludes PW-10, PW-12, PW-14, and PW-16)

Specifications

Materials

- Tower shell is 304 stainless steel; 0.065" wall thickness, 4" diameter
- Flange is 1/4", 304 stainless steel
- 20 gauge stainless steel drain pan and perforated inserts

Shank Sizes

- 1/4" I.D. with 3/16" fitting

Drains

- 1/2" tailpiece on drain pan

Rinser Faucet (optional)

- Accepts 3/8" cold water lead
- 30 psi water pressure regulator included
- 1.2 gallons per minute

Optional Rinser Faucet

Installation Notes

- Unit does not provide a 1" air gap
- Must be installed with external backflow prevention to meet applicable federal, state, and local plumbing code requirements.
- Install in-line water pressure regulator (included)
- A separate shut-off valve is recommended (not included)

NOTE: Rinser faucets are not intended for use with towers mounted to a refrigerator due to risk of water line freeze up.

To view cleaning and care instructions, please visit: https://www.glastender.com/PDF/F-423-011_ss_clean_care.pdf

03012383
 Rinser Faucet Assembly



Intertek
 4004503
 Conforms to NSF/ANSI STD 372



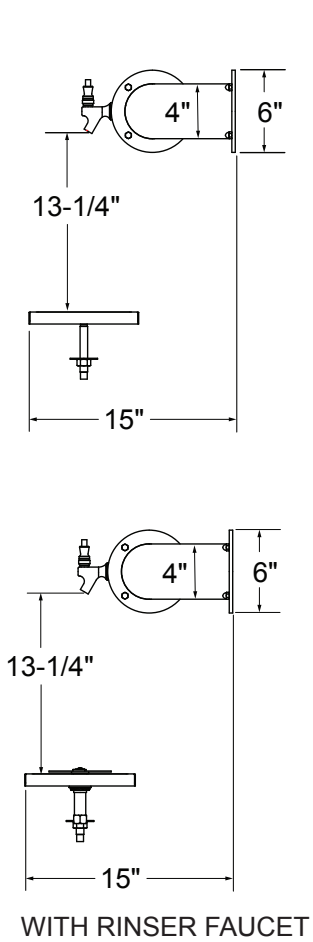
Optional Rinser Faucet Extension

Glastender, Inc. • 5400 N Michigan Rd • Saginaw, MI • 48604-9780 989.752.4275 • 800.748.0423 • Fax 989.752.4444 www.glastender.com	Approval/Notes:
<small>Specifications subject to change without notice. For current specifications please visit our website.</small>	

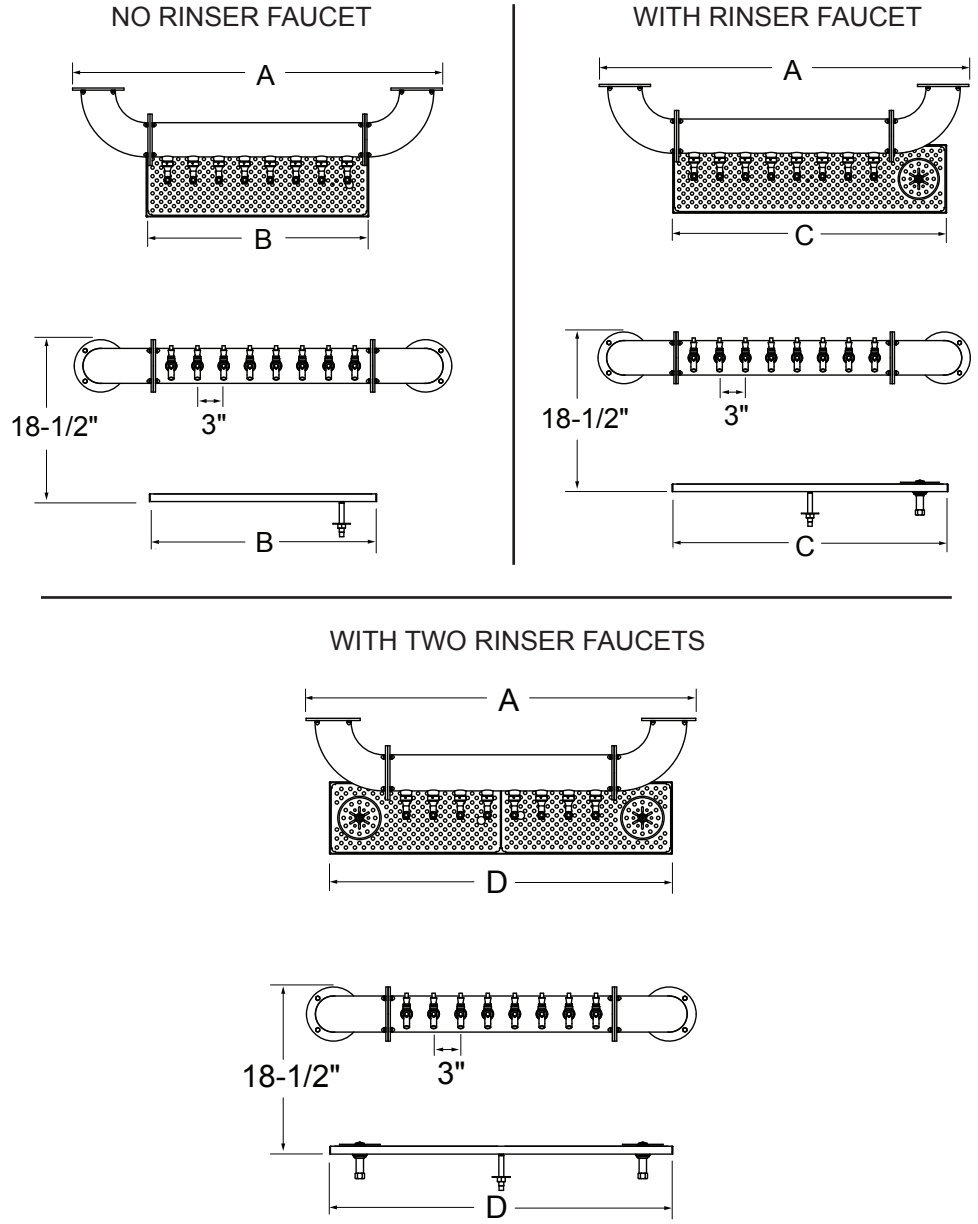
Pipe Wall Tower

Drawings

SIDE ELEVATIONS



PLAN VIEWS



PIPE WALL TOWER							
FAUCETS	4	6	8	10	12	14	16
"A" WIDTH	31-1/4"	37-1/4"	43-1/4"	49-1/4"	55-1/4"	61-1/4"	67-1/4"
"B" WIDTH	14"	20"	26"	32"	38"	44"	50"
"C" WIDTH	20"	26"	32"	38"	44"	50"	56"
"D" WIDTH	26"	32"	38"	44"	50"	56"	62"