



Your Solutions Partner

Specifications

F.O.B. Sedalia, Missouri 65301

Approval Stamp(s):

PRODUCT INFORMATION:

PROJECT: _____

ITEM: _____

QUANTITY: _____

MODEL: Foodshield - Standard Buffet Shelves

Fits: Aeroserv Steamtables

- 636/636-1SN
- 637/637-1SN Standard Buffet Shelves - 2 Sided/
- 638/638-1SN Standard Buffet Shelves - 1 Sided
- 639/639-1SN

SHELVES:

- Heavy gauge stainless steel with edges flanged down

FRAMES:

- Solid stainless steel ends

GUARDS:

- Glass guards, stainless trim/brackets/ends
- Clear acrylic enclosures both ends

SIZES:

All units available in following lengths:

- 30-7/32"
- 44-7/32"
- 58-7/32"
- 72-7/32"



636

OPTIONS:

- Radiant Heater (HT) Specify Voltage
- Fluorescent Lights (FL)
- Bullet-type Heat Lamps (BL)
- Bullet-type Incandescent Lamps (BI)

Agency Listings:



NSF/ANSI 2



509L



DUKE MANUFACTURING CO.

2305 N. Broadway

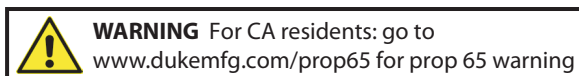
St. Louis, MO 63102

800.735.3853 Toll Free

314.231.5074 Fax

www.dukemfg.com

SS-1090 Food Shield - 63X

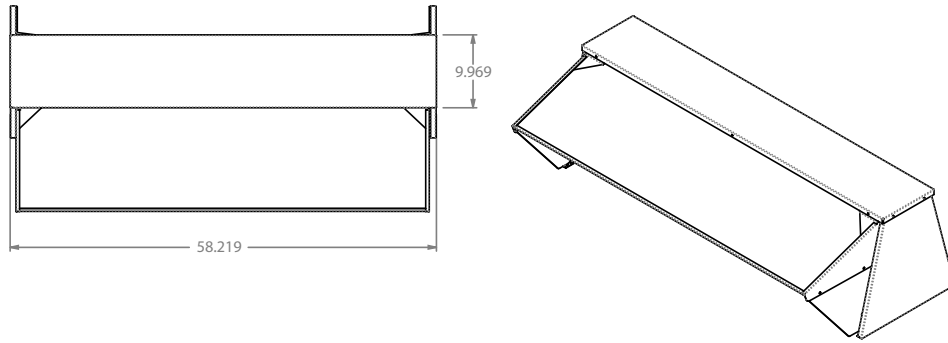


Specification subject to change

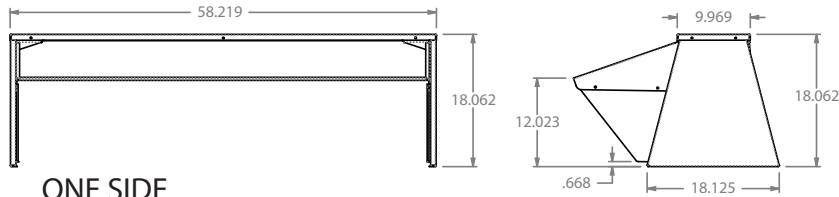
REV C 06/01/2022

FOODSHIELD - Shelves

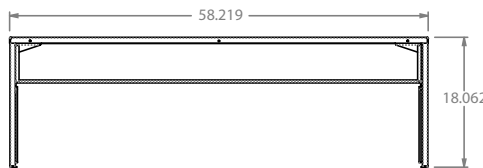
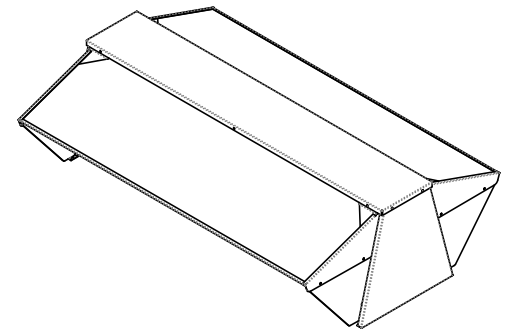
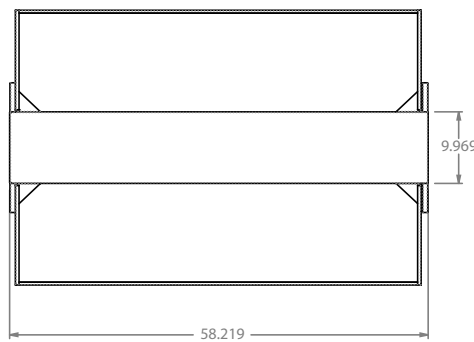
A.I.A. File No. 35-C-13



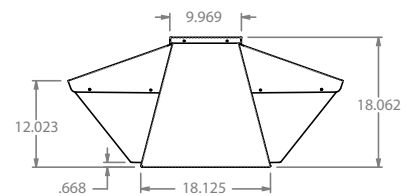
Catalog No. FS-SDSHELVES



ONE SIDE



BOTH SIDES



DIMENSIONS:
Standard Buffet Shelves

Freight Class: 65

Model		Length		Shelf Depth		Height		Cube ft. Crated	Standard		With Extras approx.	
Standard	With Extras	in.	cm	in.	cm	in.	cm		lbs.	kg	lbs.	kg
636/636-1SN	736 FL, HT, BL	30-7/32	76.8	10	25.4	18	45.7	7.7	38	17.3	55	25.0
637/637-1SN	737 FL, HT, BL	44-7/32	112.3	10	25.4	18	45.7	10.6	50	22.7	74	33.6
638/638-1SN	738 FL, HT, BL	58-7/32	147.9	10	25.4	18	45.7	13.6	62	28.2	95	43.2
639/639-1SN	739 FL, HT, BL	72-7/32	183.6	10	25.4	18	45.7	16.5	80	36.4	113	51.4

FOODSHIELD - STANDARD DISPLAY SHELVES



Duke Manufacturing Co.
2305 N. Broadway
St. Louis, MO 63102

Phone: 314-231-1130
Toll Free: 1-800-735-3853
Fax: 314-231-5074

www.dukemfg.com

Printed in U.S.A
© 2019, Duke Manufacturing Co.