

VICTORY[®]

ULTRASPEC

PROJECT: _____

ITEM # _____ QTY: _____

MODEL # _____

AIA # _____ SIS # _____

SOLID DOOR ROLL-IN WARMING CABINET

HIS-2D-1



EXCLUSIVE WARRANTY

- ▶ 7 Year Parts & Labor Warranty
- ▶ Exclusive 2 Year Warranty On Magnetic Door Gaskets
- ▶ Lifetime Warranty On Handles & Hinges (parts only)

CABINET CONSTRUCTION

- Stainless Steel Interior And Exterior (galvanized back, top and bottom)
- Heavy-Duty Cam Hinges
- Stay-Open Door Feature For Easy Product Loading
- Heavy-Duty 20 Gauge Stainless Steel Doors
- Heavy-Duty Cylinder Locks
- Stainless Steel Interior Door Liner
- Adjustable Door Wiper Gaskets
- One-Piece, Snap-In Magnetic Door Gaskets
- Low Profile Vertical Door Handles
- Hinged Front Shroud
- Stainless Steel Breaker Caps
- Accepts Carts: 26 1/2"W x 25 1/2"D x 65"H (cart not included)
- 8' Cord And Plug (see electrical data for details)

FEATURES

- Full Electronic Control With Touchpoint Interface
- Adjustable Electronic Temp Control from 80°F To 180°F
- Built-In, Adjustable Humidity Control Vent
- Safety Shielded Strip Type Heating Elements
- Externally Mounted Blower Maintains Even Temperatures
- Manager's Lockout Feature



SOLID DOOR ROLL-IN WARMING CABINET



Please Verify Qualifying Units By Visiting:
www.energystar.gov/cfs

OPTIONS & ACCESSORIES

- Stainless Steel Back And Shroud
- Door Swing Orientation (at time of order)
- Correctional Package
- Exterior Door Laminate
- Glass Door

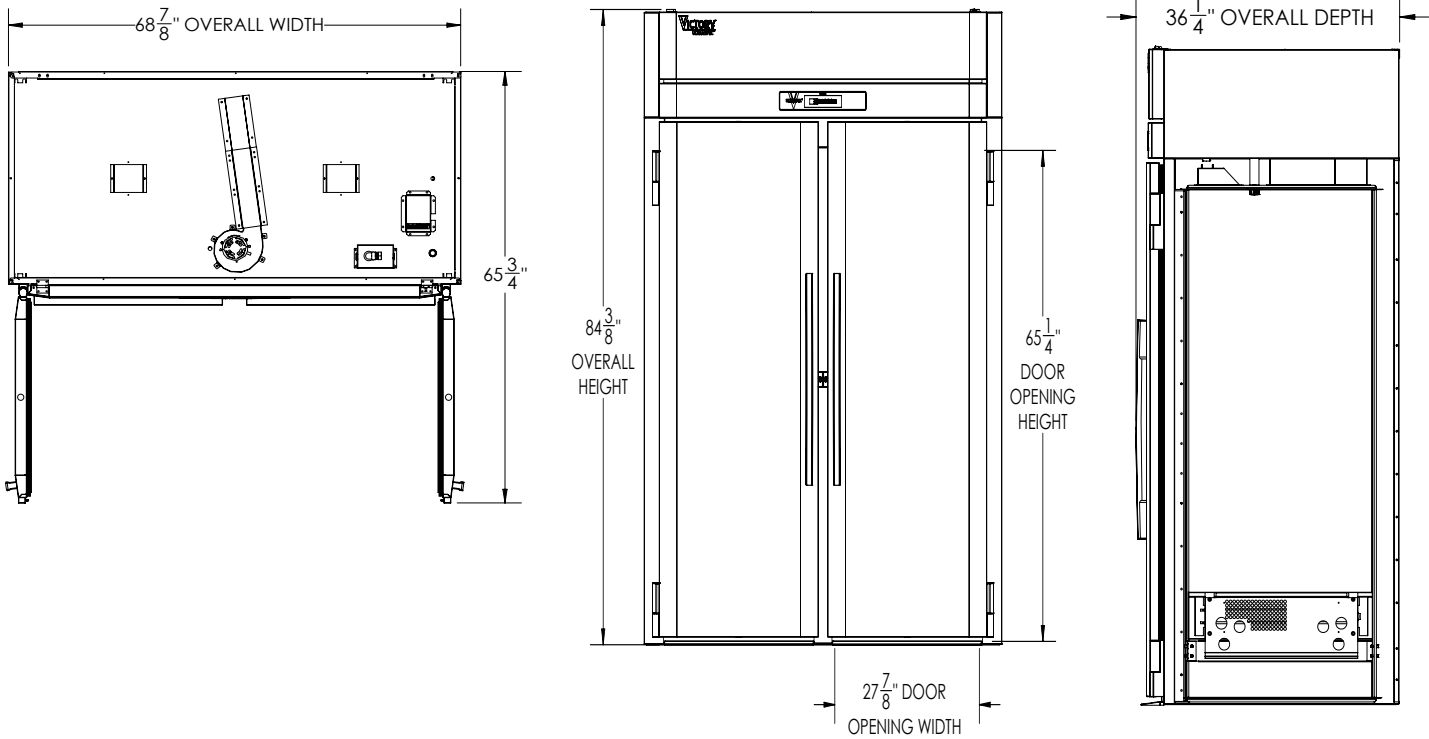
3779 Champion Blvd, Winston-Salem, NC 27105

ph: (888) 845-9800 | fax: (800) 253-5168

Sales@VictoryRefrigeration.com | VictoryRefrigeration.com

Rev. 7/1/24 Printed in U.S.A.

APPROVAL: _____ DATE: _____



We reserve the right to change specifications and product design without notice. Such revisions do not entitle the buyer to corresponding changes, improvements, additions or replacements for previously purchased equipment. Dimensional tolerances +/- 1/4". Metric dimensions (MM)

12" Top clearance is required

CHARACTERISTICS		ELECTRICAL DATA		SHIPPING DETAILS	
Net Capacity (cubic ft.)	67.2	Cabinet Voltage	208-240/60/1	Height	90"
Width, Overall (in.)	68 7/8"	Total Amperes	13.0	Width	84"
Depth, Overall (with handle)	36 1/4"	NEMA Plug	6-20P	Depth	48"
Height Overall	84 3/8"	HEATING DATA		Crated Weight	560 lbs
Depth, Door Open 90°	65 3/4"	Heater Watts	3000		
Door Openings (in.)	27 7/8" x 65 1/4"				
No. Of Doors	2				

3779 Champion Blvd, Winston-Salem, NC 27105 | ph: (888) 845-9800 | fax: (800) 253-5168

Sales@VictoryRefrigeration.com | VictoryRefrigeration.com

Rev. 7/1/24 Printed in U.S.A.