



Profit from the Eagle Advantage®

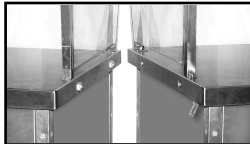
Specification Sheet

Short Form Specifications

Eagle Director's Choice® Solid Top Refrigerated Base Units, model _____. 16/304 stainless steel top reinforced with hat channel. 1½" square type 304 stainless steel all-welded tubular base. Quick release spring loaded docking device keeps adjoining units together. Self-contained condenser unit with sealed compressor and thermostatic controls. Forced air evaporator for evenly distributed temperature. Factory-set between 35°F and 45°F. Cord and NEMA 5-15P plug. Double-wall refrigerated base body with stainless steel interior liner, insulated on all sides. 5" poly casters, two with brake. Standard laminate panel is holly berry red (Wilsonart® #D307-60).



solid top refrigerated base unit (shown with optional sneeze guard and tray slide)



exclusive docking device joins units together without the use of tools

Options / Accessories

- Stainless steel end panels
- Stainless steel front panel
- Tray slide - stainless*
- Work shelf - stainless**
- Specify laminate _____
- Sneeze guards
- 18" x 26" pan rack***
- 20" x 20" x 5" drawers****
- 5-year compressor warranty

* Available in solid ribbed, square tubular or round tubular. For front, rear, or ends.

** Available in hardwood, stainless steel, poly, or Richlite®. For front, rear, or ends.

*** For #DCS4-STURB only.

**** For #DCS5-STURB only, in lieu of one door.

EAGLE GROUP

100 Industrial Boulevard
Clayton, DE 19938-8903 USA

Phone: 302-653-3000 • 800-441-8440

Fax: 302-653-2065

www.eaglegrp.com • www.eaglehmc.com

For custom configuration or fabrication needs, contact our SpecFAB® Division.

Phone: 302-653-3000 • Fax: 302-653-2065 • e-mail: quotes@eaglegrp.com

Item No.: _____
 Project No.: _____
 S.I.S. No.: _____

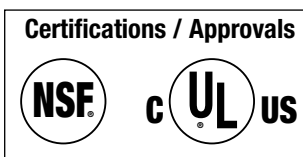
Director's Choice® Solid Top Refrigerated Base Units

MODELS:

- DCS4-STURB
- DCS5-STURB

Design and Construction Features

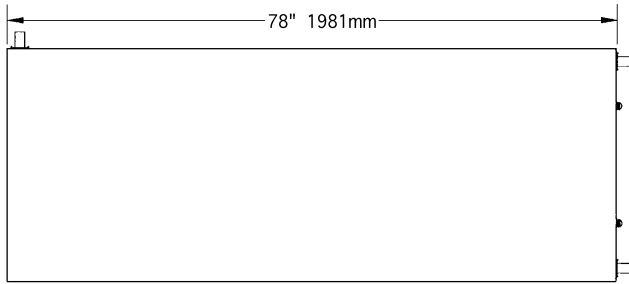
- 30" (762mm) wide top is solid, constructed of 16 gauge type 304 stainless steel, die-formed, welded, polished, and reinforced with hat channel.
- Welded 1½" (38mm) type 304 stainless steel square tubular base construction.
- 34" (864mm) standard working height complies with ADA guidelines for accessibility standards.
- Refrigeration system:
 - Features removable access panel, self-contained condenser unit with sealed compressor and thermostatic controls, and forced air evaporator for evenly distributed temperature. Fully charged with CFC-free refrigerant, factory-set between 35°F and 45°F.
 - Refrigerated base body is double-wall constructed with type 304 stainless steel interior liner with coved corners. Insulated on all sides. Interior features removable slide assembly that accommodates 12" x 20" food pans. Thermometer included.
 - Comes with 6' (1829mm) cord and NEMA 5-15P plug.
- Tray slide heights available—see Catalog Sheet EG33.07A:
 - 31" (787mm) standard height for high schools.
 - 27" (686mm) standard height for middle schools.
 - 25" (635mm) height for elementary schools and nursing/healthcare facilities.
- Fully mobile - standard 5" (127mm) poly tread casters, two with brake (brake casters on server side).
- Quick-release spring-loaded docking device keeps adjoining units together without the use of tools.
- Standard front holly berry red (Wilsonart® D307-60) laminate mounted on 18 gauge galvanized subpanel.
- All units accommodate optional accessories, including tray slides and work shelves. See Catalog Sheet EG33.07A.



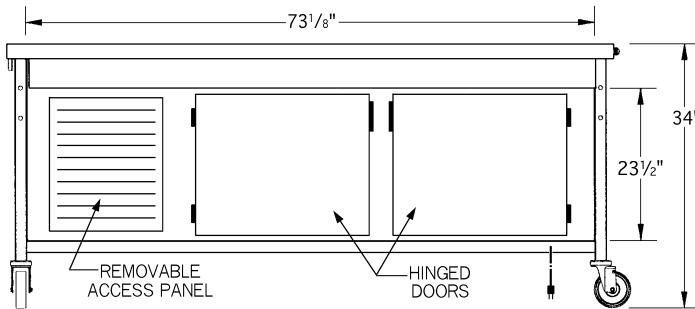
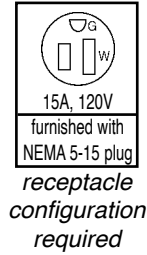


Item No.: _____
 Project No.: _____
 S.I.S. No.: _____

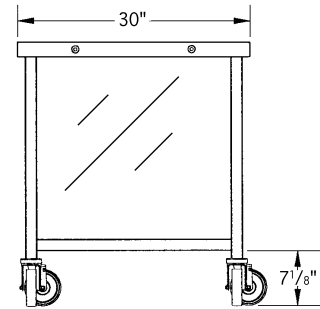
Director's Choice® Solid Top Refrigerated Base Units



TOP VIEW



FRONT VIEW (OPERATOR'S SIDE)



SIDE VIEW

(Please note: 78" model shown with optional laminate end panels)

model #	description	length		weight		electrical data (single phase)
		in.	mm	lbs.	kg	
DCS4-STURB	single door	64"	1626	180	81.6	120V, 6.8A, 1/4HP
DCS5-STURB	double door	78"	1981	205	93.0	120V, 6.8A, 1/4HP

Optional laminate end panels available. To order, add suffix "-LEP" to model number. Example: DSC4-STURB-LEP

Optional stainless steel front panel in lieu of laminate front panel available. To order, add suffix "-S" to model number. Example: DCS5-STURB-S

Optional stainless steel end panels available. To order, add suffix "-SEP" to model number. Example: DSC4-STURB-S-SEP

EAGLE GROUP

100 Industrial Boulevard, Clayton, DE 19938-8903 USA

Phone: 302-653-3000 or 800-441-8440 • Fax: 302-653-2065

www.eaglegrp.com • www.eaglehmc.com

Printed in U.S.A.
 ©2022 by Eagle Group

Rev. 08/22

Spec sheets available for viewing, printing or downloading from our online literature library at www.eaglegrp.com

Although every attempt has been made to ensure the accuracy of the information provided, we cannot be held responsible for typographical or printing errors. Information and specifications are subject to change without notice. Please confirm at time of order.