



MODEL ***4812***

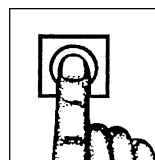
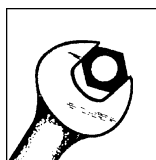
ML-136159

Page 1 - English

Page 17 - French

Page 33 - German

**INSTALLATION AND OPERATION MANUAL
MANUEL D'INSTALLATION ET D'UTILISATION
INSTALLATIONS UND BEDIENUNGSANLEITUNG**



ENGLISH / CONTENTS

4812 CE Mincer	Section	Page
Safety Information	1.0	3
Safety Guidelines	1.1	3
Warning Symbols	1.2	3
Liability	1.3	3
Foreword	2.0	4
General Information	3.0	4
Caring for Our Environment	4.0	4
Packaging Material	4.1	4
Disposal of Your Old Appliance	4.2	4
Mincer Dimensions	5.0	5
Table 1 Technical Information	6.0	6
Installation	7.0	7
Un-Packing	7.1	7
Location	7.2	7
Electrical Installation	7.3	7
Commissioning and Operating Instructions	8.0	8
Operator Training	8.1	8
Using for the First Time	8.2	8
Component Identification:	8.3	8
Assembly of Mincing End and Feed Pan	8.4	9
Operation	9.0	9
Controls	9.1	9
Mincing	9.2	9
Cleaning and Sanitizing	10.0	10
Maintenance	11.0	11
Fault Finding	12.0	12
Recommended Spares	13.0	13
Notes	14.0	14
Service Contact Numbers	15.0	15

1.0 **SAFETY INFORMATION**

The procedures and precautions contained in this manual are understood to apply to the machinery only when it is used in the prescribed manner. If the machinery is used other than in the recommended manner, the operator will be responsible for his/her own safety and for the safety of the other persons who may be involved.

The information in this manual has been prepared to assist the operator to understand, maintain, and operate the mincer. In order to prevent accidents, read, understand and follow all the precautions and warnings contained in this manual before installation or operating for the first time. This manual must be studied to obtain a clear understanding of the mincer and its capabilities.

1.1 **SAFETY GUIDELINES**

- Do not hose or pressure clean this appliance. It is vital to adhere to the cleaning instructions detailed in this manual.
- Do not remove any covers or loosen any fittings whilst the machine is operating.
- Ensure this manual is kept in an easily accessible place for future reference near the mincer.
- All operators must be trained in the safe operation of the mincer and its components.
- Ensure the electrical supply has been isolated before attempting to service or move the mincer.
- Rotating machinery and electricity are potentially hazardous and may cause injury if sufficient precautions are not taken prior to operating or servicing the machine.
- Always have your miner and attachments regularly serviced; at least twice a year, depending on frequency of use.

1.2 **WARNING SYMBOLS**

To identify the safety messages in this manual, the following symbols have been used.

⚠ WARNING The “Warning” symbol is found primarily where the corresponding information is important for the safe use of the machinery.



The electrical hazard symbol is used when there are risks of an electrical nature. Prior to servicing the machinery, always disconnect the power cable from the mains supply.

1.3 **LIABILITY**

Installations and repairs which are not carried out by **Authorized technicians** or the use of other than original spare parts, and any **technical alterations** to the machine, **may affect the warranty set out in the standard conditions of sale.**

2.0 FOREWORD

Hobart reserves the right to alter the design of their products without prior notice. Whilst every effort is made to ensure this publication reflects the latest design, the Company cannot guarantee full compliance. Take pride in your 4812 Mincer - keep it clean and in good mechanical and electrical condition.

3.0 GENERAL INFORMATION

The information and instructions contained in this manual may not cover all details or variations in the equipment, not provide for every eventuality to arise with installation, operation, or maintenance. If additional information is required, please contact your local Hobart office.

The Model 4812 Mincer has a 0.37 kw (0.5 hp) electric motor. The 4812 will grind meat at a rate of 3.63 kg per minute (8 pounds), first cut through a plate with 3 mm (1/8 inch) diameter holes.

The machine is rated to operate on 230 volts/ 50 hertz/ 1 phase electrical supply. The mincer is fitted with a “no volt release” safety feature to prevent automatic restarting after a supply failure or disconnection from the mains.

4.0 CARING FOR OUR ENVIRONMENT

4.1 PACKAGING MATERIAL

The pallet and protective polyethylene packing film have been selected from materials that are environmentally friendly for disposal or can be recycled. Instead of throwing them away, please ensure they are recycled.

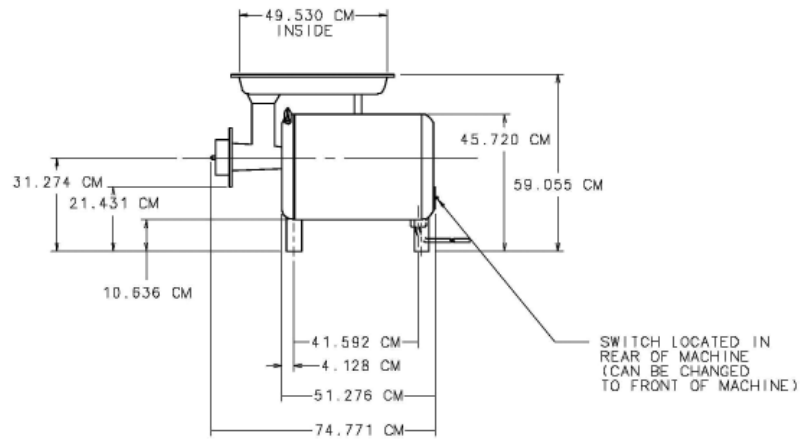
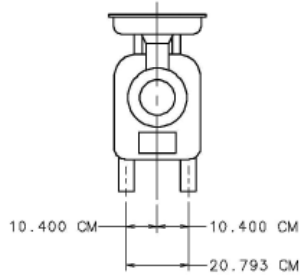
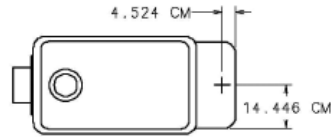
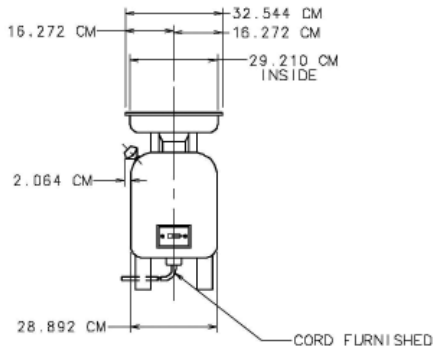


4.2 DISPOSAL OF YOUR OLD APPLIANCE

Old appliances contain materials that can be recycled. Please contact your local waste collection centre; scrap merchant or local Hobart office about potential recycling schemes.

5.0 MINCER DIMENSIONS

STANDARD ELECTRICAL SPECIFICATIONS			
VOLTAGE	HZ	PH	USAGE
230	50	1	EUROPE/CE



6.0 TABLE 1 TECHNICAL INFORMATION

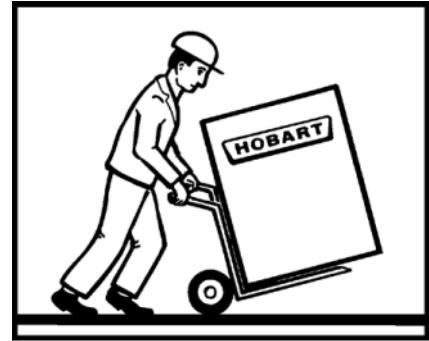
Description	Units	4812
Motor	kW (hp)	.373 (.5)
Maximum speed of rotating part (50Hz)	rpm	1425
Nominal electrical supply	Volts/Hz/ph	230/50/1
Full load current at above voltage	Amps	2.9
Locked rotor current at above voltage	Amps	15
Recommended fuse size	Amps	10
Minimum ambient temperature	°C	0
Maximum ambient temperature	°C	40
Attachment hub drive size	--	#12
Mincer weight (body only)	Kg (Lbs)	39 (86)
Mincer with chopping end weight	Kg (Lbs)	51 (122)
Noise level	dB (A)	##less than 70
Shipping weight (body only)	Kg (Lbs)	48 (105)
Mincing end, shipping weight	Kg (Lbs)	10.2 (23)
Shipping dimensions (carton with body only)	LxWxH cm	65.5 x 40.5 x 58.5
Storage conditions. Temperature and humidity.	°C, % RH	+5 to +38, 85
Class of appliance	--	Class 1
Enclosure IP rating	--	IP35

In accordance with EN-ISO 12001:1996.

7.0 INSTALLATION

7.1 UN-PACKING

Whenever possible the mincer should be transported to the installation position in the packaging provided to avoid damage. Do not use a sharp knife to cut into the box as damage to the machine may occur. Check for possible shipping damage. If the unit is found to be damaged, save the packaging material and contact your nearest Hobart sales office. Before installing, verify that the electrical service agrees with the specifications on the rating plate located on the front panel of the mincer below the drive hub.



With the machine in the vicinity of its final position, remove carton from around the machine. Remove the four bolts holding the machine to the skid. Unpack the mincer attachment carton.

After removing the skid, screw the threaded studs of the four legs (provided) into the tapped holes in the four corners of the base. The rubber feet on these legs cushion the machine. Under normal operation, the machines does not need to be bolted down.

7.2 LOCATION

⚠ WARNING The mincer is not suitable for outdoor installation and must not be installed where a water jet could be used for cleaning. The mincer must only be operated by trained staff and must be installed in a area where the use and maintenance is restricted to trained personnel.

The mincer must be installed on a horizontal flat surface level to a minimum of 1mm in a 1 metre side to side and front to back. Select a suitable flat surface that can support the weight of the mincer and feed pan when full (refer to table 1 for weights and page 5 for dimensions).

7.3 ELECTRICAL INSTALLATION



The electrical installation of the mincer must conform to the local electricity board regulations. When installed in the United Kingdom the installation must be in accordance with the current edition of the IEE Regulations for electrical equipment in buildings and must conform to the requirements of the Electricity at work act.

A competent person must carry out the electrical installation.

The technical data shown in Table 1, page 6 details the electrical requirements for the mincer. Ensure that the electrical power supply agrees with the machine specification prior to connection.

The mincer is equipped with a three-wire power supply cord ready for installation of an appropriate grounding-type attachment plug. The plug and its mating receptacle must be properly grounded. Contact an electrician. Provide proper fuse or circuit breaker protection.

8.0 COMMISSIONING AND OPERATING INSTRUCTIONS

8.1 OPERATOR TRAINING

Take time to explain the correct operation and cleaning of the mincer to the users, referring to this manual. Leave this manual with the operator and explain that it is important to use it for further reference.

8.2 USING FOR THE FIRST TIME

The mincer must be cleaned and sanitized before use. Refer to Cleaning and Sanitizing, page 10.

8.3 COMPONENT IDENTIFICATION:

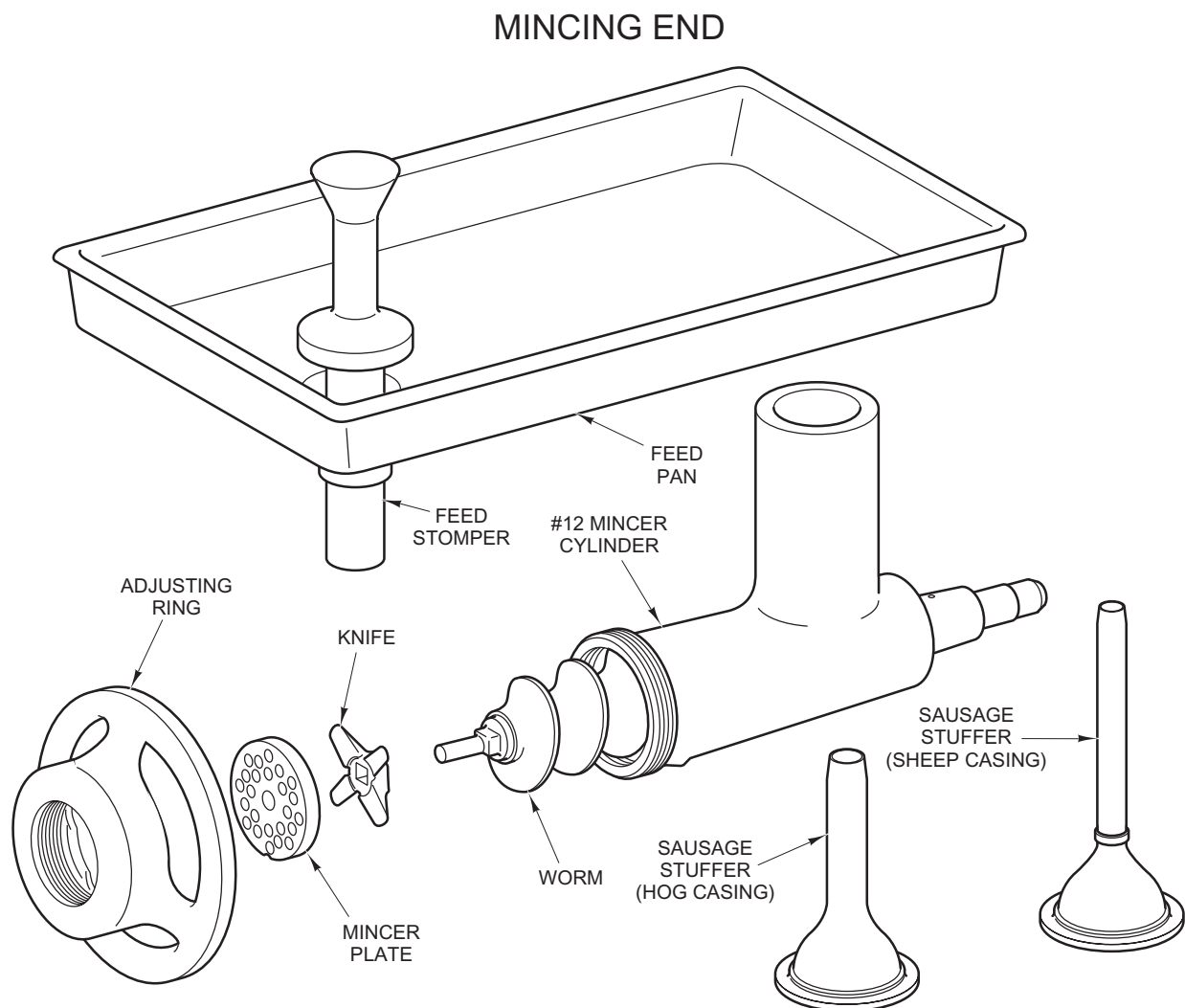


Figure 1

8.4 ASSEMBLY OF MINCING END AND FEED PAN

Make sure the drive hub and socket are clean and clear of any obstruction. Insert the socket end of the cylinder into the drive hub with a slight twisting motion toward the left. The mincer cylinder stop pin in the attachment will contact the side of the hole that receives it. Tighten the thumb screw to secure the mincer cylinder in place.

Removing the mincer cylinder requires loosening the thumb screw three complete turns. The thumb screw should never be removed. Slide the worm into the cylinder and rotate it until the square shank of the worm locks into the hub drive. Install the knife on the end of the worm with the cutting edges out, followed by the grind plate (Fig. 1). The notch on the grind plate aligns with the pin in the bottom of the mincer cylinder. Thread the adjusting ring on the mincer cylinder hand tight. Install the feed pan and feed stomper.

NOTICE The knife and plate depend on meat for lubrication. Therefore, the mincer should never be operated without meat.

9.0 OPERATION

9.1 CONTROLS

Main power switch:

- | | | | |
|---|---------|------|-----------------------------|
| I | (green) | ---- | Push turns mincer motor ON. |
| 0 | (red) | ---- | Push turns mincer motor OFF |

9.2 MINCING

Cut the meat into strips.

Turn the machine ON.

Feed the meat into the mincer using the feed stomper only as needed.

If the strips are cut to the proper size, they will feed without assistance from the stomper; allowing both hands of the operator free to feed the meat. When running meat through the mincer a second time, more speed is attained by feeding small quantities at a time rather than by trying to force large amounts with the feed stomper. The feed pan should always be kept in place on the cylinder. It not only makes regular feeding easy, but it keeps the mincer attachment ready for immediate use. The fineness to which the meat is cut is governed by the size of the holes in the perforated Grind Plate, not by the tension put on the Adjusting Ring. Do not tighten the Adjusting Ring more than hand tight. Between uses, remove the entire mincer end and feed pan and place them in the refrigerator for re-use; or, clean and sanitize, if required.

10.0 CLEANING AND SANITIZING

⚠ WARNING Disconnect the mains electricity supply before cleaning or servicing this machine.

Remove the following parts for cleaning; Feed Pan, Adjusting Ring, Grind Plate, Knife, Worm, and Mincer Cylinder.

The mincer must be thoroughly cleaned and sanitized after installation and before being placed into service.

Cleaning Supplies (Not Provided)

Recommended cleaning and sanitizing supplies include:

- A 12" handle nylon brush that will slide through the cylinder
- A two compartment pail for cleaning solutions
- A pail for sanitizing solution
- A scrap pail
- Clean cloths
- A spray bottle

NOTE: When using detergents and sanitizers, always refer to the chemical manufacture's safety data sheet for hazard, handling, and first aid information. Wear suitable gloves and eye / face protection.

Prepare a hot detergent solution in one side of the two compartment pail. Fill the other compartment with warm potable rinse water.

Mix a sanitizing solution by adding one tablespoon of sodium hypochlorite bleach (5.25%) to one gallon of water in a pail. This makes a 200 ppm solution. Use this solution to fill the spray bottle as well as the pail for sanitizing.

Thoroughly clean and sanitize the feed pan, feed stomper, mincer cylinder assembly, worm assembly, knife, plate, adjusting ring and machine housing. Refer to Fig. 1 for component identification.

NOTE: After cleaning, apply a light coat of food grade mineral oil to the cylinder, adjusting ring, knife, plate and worm before reassembly.

To reassemble, refer to section 8.4, page 9.

11.0 MAINTENANCE

⚠ WARNING Unplug mincer power cord before cleaning, servicing or removing parts. Replace parts before use.

MACHINE CLEAN UP

The machine should be thoroughly cleaned at the end of an operating day or after being idle for an extended period of time. Refer to CLEANING for proper procedure (previous section).

HUB AND CYLINDER DRAIN

Hub Drain

A drain slot in the trim washer allows any meat juices to drain from the hub. This slot should be inspected periodically to make sure that it is free of obstructions. A small brush can be used to remove any material which may have accumulated.

Cylinder Drain

A drain hole at the bottom end of the cylinder allows any meat juices to drain. This hole should be inspected periodically to make sure that it is free of obstructions. A small wire can be used to remove any material which may have accumulated.

AIR INTAKE

Under normal operating conditions the motor air intake screen, located in the base of the mincer, will need little or no attention. However, in some installations where sawdust or other foreign materials are present in the air, this intake screen may become partially or completely covered. Where an adverse dust condition does exist, periodically check the screen and wipe clean with a rag or brush as required.

STORAGE

The mincer should be completely cleaned and covered with a towel or other suitable cover when it is not to be used in the immediate future.

12.0 FAULT FINDING

Fault	Possible cause
Machine will not start.	Circuit breaker tripped, check fuse or circuit breaker. Internal overload tripped, motor overload will auto reset after cooling.
Product has poor appearance, comes out soft or mushy.	Knife and/or plate worn, replace knife and plate or End ring loose, tighten end ring, hand tight only.
Motor comes on, but worm shaft will not turn.	End ring too tight, tighten end ring hand tight only, or foreign object caught in cylinder, remove cylinder and worm to inspect for cause of binding.

13.0 RECOMMENDED SPARES

087711-232-1	Pushbutton on/off switch
914288	Contactora
914287	Overload
077643-00002	Ring-Adjusting
015881	Worm Assy.
119760-00001	Cylinder Assembly
122554	Stomper
122555	Pan-Feed
004221	Washer-Worm Thrust
004839-00001	Washer-Cylinder Thrust
295181	Stuffer-Sausage (Sheep Casing)
295180	Stuffer-Sausage (Hog Casing)
108197-00004	Thumb Screw Assy.
914767	Trim Washer (Attachment Hub)
065140	Gasket (Attachment Hub)
083681	Foot-Rubber
290481-00019	Housing-50 Hertz
064965-00008	Panel-Front Housing
064805-00008	Panel-Rear Housing
914759-00001	Motor Assy.
914157	Hub Adapter
914156	Seal-oil
016423-00001	Mincer Plate (1/8" Dia. Holes)(Carbon Steel)
016424-00001	Mincer Plate (3/16" Dia. Holes)(Carbon Steel)
016425-00001	Mincer Plate (1/4" Dia. Holes)(Carbon Steel)
016423-00002	Mincer Plate (1/8" Dia. Holes)(Stay Sharp)
016424-00002	Mincer Plate (3/16" Dia. Holes)(Stay Sharp)
016425-00002	Mincer Plate (1/4" Dia. Holes)(Stay Sharp)
290339	Knife-Mincer

14.0 NOTES

15.0 SERVICE CONTACT NUMBERS

Hobart trained service technicians strategically located at national Hobart service branches are prepared to give you fast, efficient and reliable service. Protect your investment by having a Hobart inspection contract, which assures the continued, efficient operation of your Hobart machines, spares and accessories. For disposal of mincer, contact Hobart Service Centre for return details.

For further details please contact: -

Department	Telephone	Facsimile
SALES:	07002 101 101	02088 864 396
SERVICE	07002 202 202	01733 371 709
SPARES	07002 303 303	01733 371 332



Modèle 4812

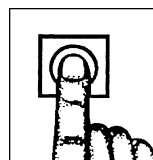
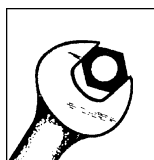
ML-136159

Page 1 - Anglais

Page 17 - Français

Page 33 - Allemand

**INSTALLATION AND OPERATION MANUAL
MANUEL D'INSTALLATION ET D'UTILISATION
INSTALLATIONS UND BEDIENUNGSANLEITUNG**



FRANÇAIS / TABLE DES MATIERES

4812 Hachoir CE	Section	Page
Informations de securite	1.0	19
Consignes de securite	1.1	19
Symboles d'avertissement	1.2	19
Responsabilite	1.3	20
Avant-propos	2.0	20
Informations generales	3.0	20
Respect de l'environnement	4.0	20
Materiaux d'emballage	4.1	20
Elimination de vos anciens appareils	4.2	20
Dimensions du hachoir	5.0	21
Tableau 1 informations techniques	6.0	22
Installation	7.0	23
Deballage	7.1	23
Emplacement	7.2	23
Installation electrique	7.3	23
Instructions de mise en service et de fonctionnement	8.0	24
Formation de l'operateur	8.1	24
Premiere utilisation	8.2	24
Identification des composants:	8.3	24
Assemblage du cote hachoir et du bac d'alimentation	8.4	25
Utilisation	9.0	25
Commandes	9.1	25
Hachage	9.2	25
Nettoyage et desinfection	10.0	26
Maintenance	11.0	27
Localisation des defaillances	12.0	28
Pieces de rechange recommandee	13.0	29
Remarques	14.0	30
Informations et adresses du service	15.0	31

1.0 INFORMATIONS DE SECURITE

Les procédures et les précautions contenues dans ce manuel ne sont applicables, selon notre compréhension, que sur la machine lorsque celle-ci est utilisée conformément aux indications.

Si la machine est utilisée différemment, l'opérateur sera responsable de sa propre sécurité et de la sécurité des autres personnes pouvant alors être impliquées.


Les informations de ce manuel ont été préparées pour aider l'opérateur à comprendre, entretenir et faire fonctionner le hachoir. Pour éviter les accidents, veuillez lire, comprendre et suivre toutes les précautions et tous les avertissements contenus dans ce manuel avant l'installation ou lors du premier fonctionnement. Ce manuel doit être étudié si l'on souhaite parvenir à une bonne compréhension du hachoir et de ses capacités.

1.1 CONSIGNES DE SECURITE

- N'arrosez ni ne placez cet appareil sous pression pour le nettoyer. Le respect des instructions de nettoyage figurant dans ce manuel est vital.
- Ne retirez aucun capot et ne desserrez aucune fixation pendant le fonctionnement de la machine.
- Veillez à ce que ce manuel demeure accessible près du hachoir pour pouvoir vous y référer si nécessaire.
- Tous les opérateurs doivent être formés au fonctionnement sans danger du hachoir et de ses composants.
- Veillez à ce que l'alimentation électrique soit isolée avant de procéder à la réparation ou au déplacement du hachoir.
- Les éléments rotatifs et l'électricité peuvent être dangereuses et peuvent provoquer des blessures si trop peu de précautions sont prises avant le fonctionnement ou la réparation de la machine.
- Entretenez votre hachoir et ses accessoires au moins deux fois par an ; si vous les utilisez très fréquemment un entretien plus régulier sera alors nécessaire.

1.2 SYMBOLES D'AVERTISSEMENT

Les symboles suivants ont été utilisés pour identifier les messages de sécurité figurant dans ce manuel:

 WARNING Le symbole "Avertissement" a été initialement rencontré aux endroits où les informations correspondantes étaient importantes pour une utilisation de la machinerie en toute sécurité.



Le symbole "Dangers électriques" a été utilisé lorsqu'il existe des risques électriques. Avant l'entretien de la machinerie, débranchez toujours le câble d'alimentation de l'alimentation sur secteur.

1.3 RESPONSABILITE

Si les installations et les réparations ne sont pas effectuées par des techniciens autorisés ou si l'on utilise des pièces autres que les pièces originales sur la machine, et si l'on effectue des modifications techniques, cela peut affecter la garantie établie dans les conditions spéciales de vente.

2.0 AVANT-PROPOS

Hobart se réserve le droit de modifier la conception de leurs produits sans préavis. Bien que tous les efforts soient fournis pour veiller à ce que la publication reflète la dernière conception, l'entreprise ne peut garantir une conformité exacte. Prenez soin de votre hachoir 4812, veillez à ce qu'il reste propre et en bon état mécanique et électrique.

3.0 INFORMATIONS GENERALES

Les informations et instructions contenues dans ce manuel peuvent ne pas couvrir tous les détails ou toutes les variations en matière d'équipement ou encore ne pas répondre à toutes les questions pouvant survenir lors de l'installation, du fonctionnement ou de l'entretien. Si plus d'informations sont nécessaires, veuillez contacter votre agence locale Hobart.

Le modèle de hachoir 4812 dispose d'un moteur électrique de .37 kw (.5 hp) hachera la viande à une cadence de 3,63 kg par minute, premier découpage à travers une plaque avec des trous de 3 mm de diamètre .

La machine est programmée pour fonctionner avec une alimentation électrique monophasée de 230 volts / 50 hertz.

Le hachoir est installé avec une caractéristique de sécurité « tension nulle » pour empêcher un redémarrage automatique après une déficience de l'alimentation ou le débranchement de l'alimentation sur secteur principal.

4.0 RESPECT DE L'ENVIRONNEMENT

4.1 MATERIAUX D'EMBALLAGE

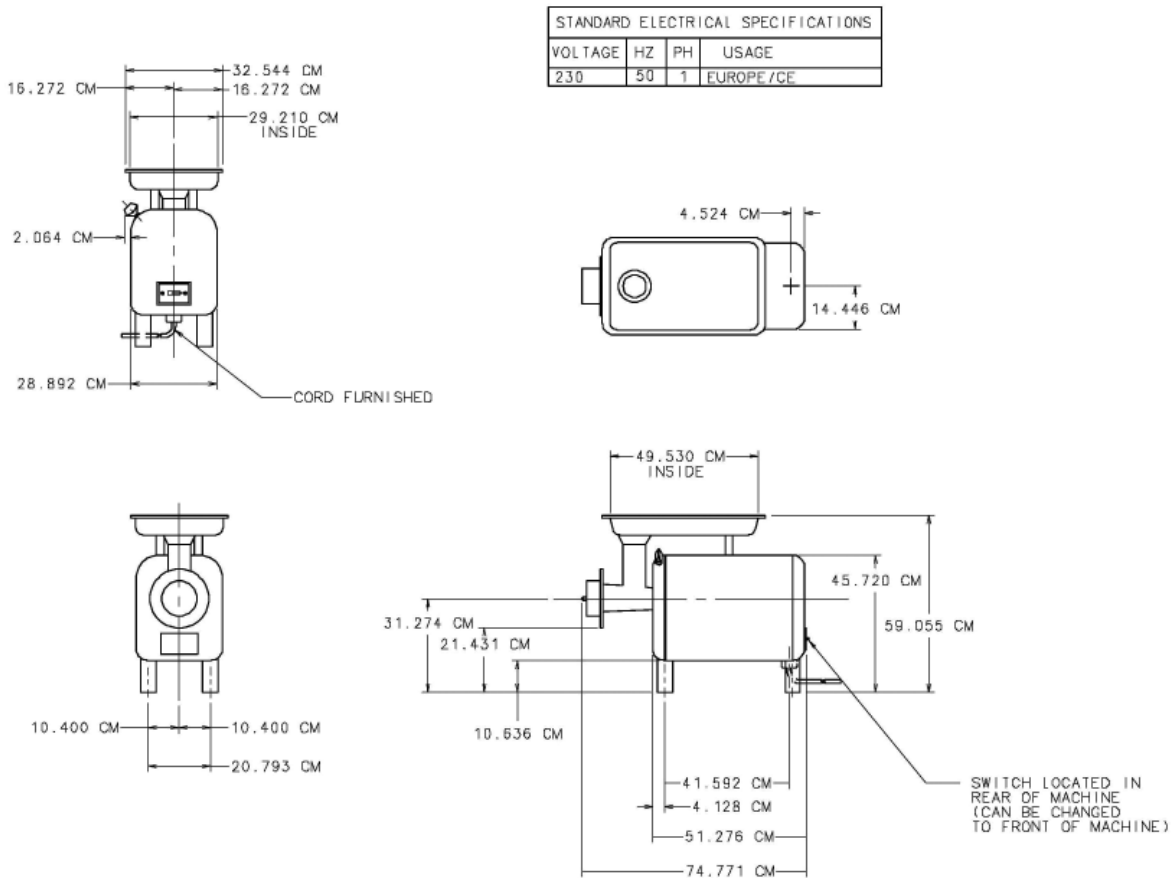
La palette et le film d'emballage de protection en polyéthylène ont été sélectionnés parmi des matériaux qui ne nuiront pas à l'environnement lors de leur élimination ou qui peuvent être recyclés. Au lieu de les jeter, veuillez vous assurer qu'ils sont recyclés.



4.2 ELIMINATION DE VOS ANCIENS APPAREILS

Les vieux appareils contiennent des matériaux qui peuvent être recyclés. Veuillez contacter le centre de collecte des déchets, le ferrailleur ou l'agence Hobart le plus proche en ce qui concerne les plans de recyclage.

5.0 DIMENSIONS DU HACHOIR



Légende :

Standard electrical specifications : Spécifications électriques normales

Voltage : Tension

Usage : Utilisation

Inside : Intérieur

Cord furnished : Cordon fourni

Switch located in rear of machine (can be changed to front of machine) :

Interrupteur situé à l'arrière de la machine (peut être déplacé à l'avant de la machine)

6.0 TABLEAU 1 INFORMATIONS TECHNIQUES

Description	Unités	4812
Puissance	kW (hp)	.373 (.5)
Vitesse Maximum de la pièce de rotation (50Hz)	rpm	1425
Alimentation électrique nominale	Volts/Hz/ph	230/50/1
Courant de pleine charge à la tension ci-dessus	Amps	2.9
Courant du rotor verrouillé à la tension ci-dessus	Amps	15
Taille de fusible recommandée	Amps	10
Température ambiante minimum	°C	0
Température ambiante maximum	°C	40
Taille de l'entraînement du moyeu de l'attache	--	#12
Poids du hachoir (Corps uniquement)	Kg (Lbs)	39 (86)
Poids du hachoir à tête hacheuse	Kg (Lbs)	51 (122)
Niveau de bruit	dB (A)	## Moins de 70
Poids d'expédition (Corps uniquement)	Kg (Lbs)	48 (105)
Tête hacheuse, poids de l'expédition	Kg (Lbs)	10.2 (23)
Dimensions de l'expédition (carton avec corps seulement)	LxWxH cm	65.5 x 40.5 x 58.5
Conditions de rangement. Température et humidité.	°C, % RH	+5 to +38, 85
Catégorie d'appareil	--	Catégorie 1
Cotation IP du coffre	--	IP35

Conforme à la norme EN-ISO 12001:1996.

7.0 INSTALLATION

7.1 DEBALLAGE

Dès que cela s'avère possible, le hachoir doit être transporté vers la position d'installation dans l'emballage fourni pour éviter les dommages. N'utilisez pas de couteau pointu pour découper la boîte ; la machine pourrait être endommagée. Vérifiez que la machine n'a pas été endommagée pendant le transport. Si vous vous apercevez que la machine a été abîmée, conservez l'emballage et contactez l'agence de vente Hobart la plus proche. Avant l'installation, vérifiez que le matériel électrique répond bien aux spécifications de la plaque signalétique situées sur le panneau frontal du hachoir sous le moyeu entraîneur.



Lorsque la machine approche de sa position finale, retirez le carton de la machine. Retirez les quatre boulons retenant la machine à la cale. Retirez le carton d'emballage du hachoir.

Une fois la cale ôtée, fixez les goujons à filets des quatre pattes (fournis) dans les trous taraudés aux quatre coins de base. Les pieds en plastique de ces pattes servent d'amortisseurs à la machine. Lors de leur fonctionnement normal, les machines n'ont pas besoin d'être boulonnées.

7.2 EMPLACEMENT

⚠ WARNING Le hachoir ne convient pas pour une installation à l'extérieur et ne doit pas être installé là où on peut utiliser un jet d'eau pour le nettoyage. Le hachoir ne doit être utilisé que par du personnel qualifié et doit être installé dans un endroit où l'utilisation et la maintenance sont réservées à du personnel formé.

Le hachoir doit être installé sur une surface plane, horizontale, de niveau avec une tolérance de 1 mm par mètre d'un côté à l'autre et d'avant en arrière. Choisissez une surface plane appropriée qui peut supporter le poids du hachoir et du bac d'alimentation lorsqu'il est plein (voir le tableau 1 pour les poids et la page 21 pour les dimensions).

7.3 INSTALLATION ELECTRIQUE



L'installation électrique du hachoir doit être conforme aux réglementations des services d'électricité locaux.

L'installation électrique doit être effectuée par une personne compétente.

Les caractéristiques techniques indiquées dans le Tableau 1, page 22 indiquent en détails les exigences électriques du hachoir. Assurez-vous que la prise d'alimentation secteur est compatible avec les caractéristiques de l'appareil avant le branchement.

Le hachoir est équipé d'un cordon d'alimentation trifilaire prévu pour l'installation d'une prise d'alimentation appropriée de type mise à la terre. La prise et le connecteur correspondant doivent être correctement mis à la terre. Contactez un électricien. Installez un fusible ou un disjoncteur approprié pour une protection adéquate.

8.0 INSTRUCTIONS DE MISE EN SERVICE ET DE FONCTIONNEMENT

8.1 FORMATION DE L'OPERATEUR

Prenez le temps d'expliquer le bon fonctionnement et le nettoyage du hachoir aux utilisateurs, en vous référant au présent manuel. Confiez ce manuel à l'opérateur et expliquez qu'il est important de l'utiliser pour référence ultérieure.

8.2 PREMIERE UTILISATION

Le hachoir doit être nettoyé et désinfecté avant utilisation. Consultez la Section Nettoyage et Désinfection, page 26.

8.3 IDENTIFICATION DES COMPOSANTS:

EXTREMITE HACHOIR

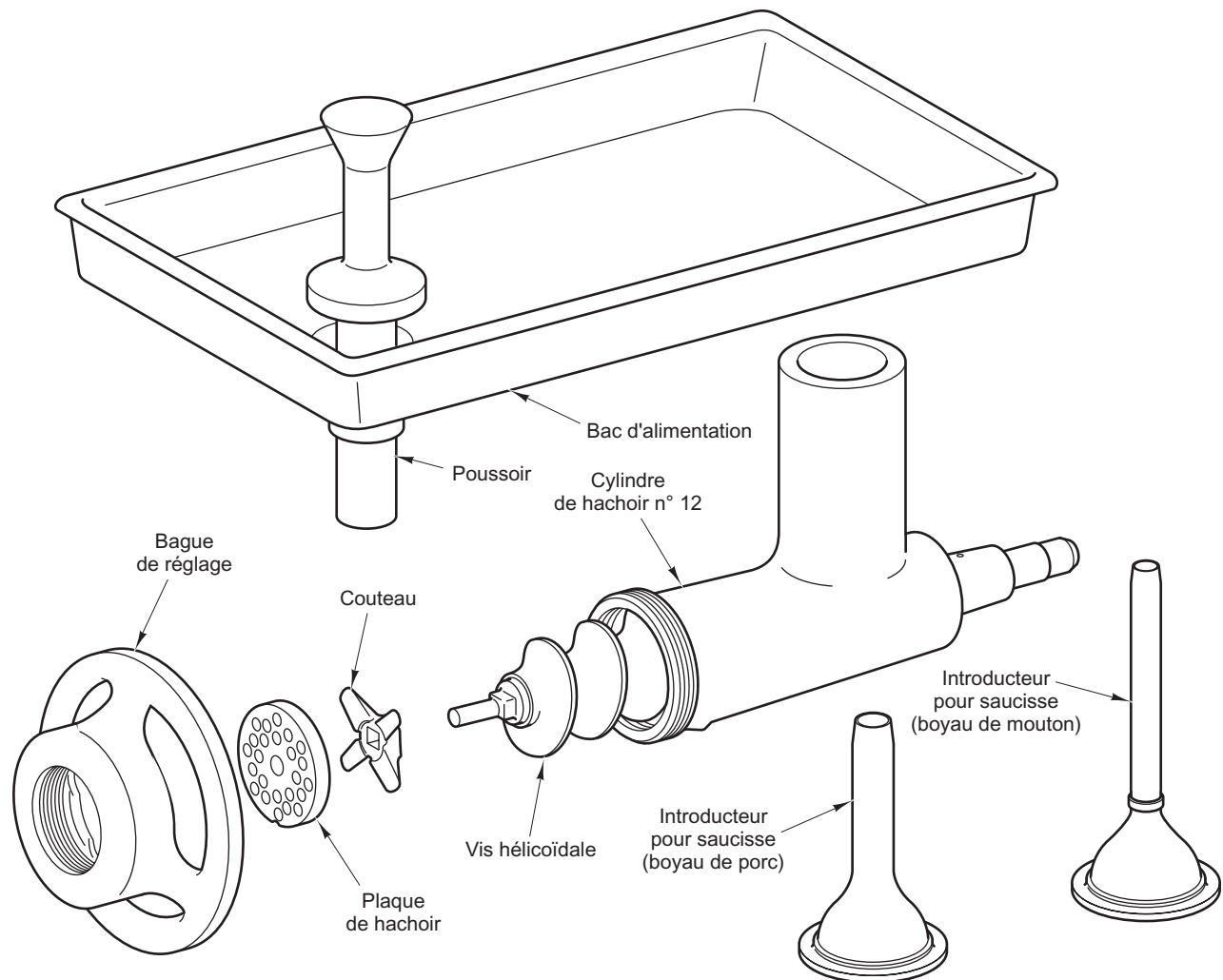


Figure 1

8.4 ASSEMBLAGE DU CÔTE HACHOIR ET DU BAC D'ALIMENTATION

Assurez-vous que le moyeu d'entraînement et la douille sont propres et non obturés. Introduisez le côté douille du cylindre dans le manchon d'entraînement avec un léger mouvement de rotation vers la gauche. La goupille de butée du cylindre de hachoir dans l'accessoire entrera en contact avec le côté du trou qui la reçoit. Bloquez la vis moletée pour bien fixer le cylindre de hachoir en place.

Pour déposer le cylindre de hachoir, il faut desserrer la vis moletée de trois tours complets. La vis moletée ne doit jamais être retirée. Faites glisser la vis dans le cylindre et tournez-la jusqu'à ce que la tige carrée de la vis se bloque dans l'entraînement du moyeu. Installez le couteau à l'extrémité de la vis avec les bords coupants vers l'extérieur, suivi de la plaque de broyage (Figure 1). L'encoche sur la plaque de broyage s'aligne avec la goupille en bas du cylindre de hachoir. Vissez la bague de réglage sur le cylindre de hachoir en serrant à la main. Installez le bac d'alimentation et le poussoir d'alimentation.

NOTICE Le couteau et la plaque tirent leur lubrification de la viande. Par conséquent, le hachoir ne doit jamais tourner sans viande.

9.0 UTILISATION

9.1 COMMANDES

Interrupteur secteur :

- | | | | |
|---|---------|------|---|
| I | (vert) | ---- | Poussez pour mettre le moteur de hachoir en MARCHE. |
| 0 | (rouge) | ---- | Poussez pour ARRETER le moteur de hachoir |

9.2 HACHAGE

Coupez la viande en bandes.

Mettez la machine en MARCHE.

Alimentez la viande dans le hachoir en utilisant le poussoir d'alimentation comme nécessaire.

Si les bandes sont découpées à la largeur appropriée, elles s'alimenteront sans aide du poussoir, ce qui laissera les deux mains de l'opérateur libres pour alimenter la viande. Lorsqu'on fait passer la viande par le hachoir une deuxième fois, on obtient davantage de vitesse en alimentant de petites quantités à la fois plutôt qu'en essayant de forcer de grandes quantités avec le poussoir. Le bac d'alimentation doit toujours rester à sa place sur le cylindre. Cela rend l'alimentation plus régulière et plus facile, mais aussi cela garde l'accessoire de hachoir prêt pour utilisation immédiate. La finesse de hachage de la viande est déterminée par le diamètre des trous dans la plaque de broyage perforée, et non par la tension qui est exercée sur la bague de réglage. Ne serrez pas la bague de réglage davantage qu'à la main. Entre les utilisations, retirez le côté hachoir et le bac d'alimentation tout entiers et placez-les dans le réfrigérateur pour réutilisation ou nettoyez-les et désinfectez-les si nécessaire.

10.0 NETTOYAGE ET DESINFECTION

⚠ WARNING Débranchez l'alimentation électrique secteur avant de nettoyer ou d'entretenir cet appareil.

Retirez les parties suivantes pour le nettoyage : Bac d'alimentation, Bague de réglage, Plaque de broyage, Couteau, Vis hélicoïdale et Cylindre de hachoir.

Le hachoir doit être entièrement nettoyé et désinfecté après installation et avant d'être mis en service.

Fournitures de nettoyage (non fournies)

Les fournitures recommandées pour le nettoyage et la désinfection comprennent:

- Une brosse en nylon à poignée de 30 cm qui coulissera dans le cylindre.
- Un seau à deux compartiments pour les solutions de nettoyage
- Un seau pour la solution de désinfection
- Un seau pour les déchets
- Des chiffons propres
- Une bouteille à pulvérisation

NB: Lorsqu'on utilise des détergents et des produits de désinfection, il faut toujours se référer à la fiche de données de sécurité du fabricant de produits chimiques concernant les dangers, la manipulation et les informations sur les premiers secours. Portez des gants et une protection pour les yeux et visière appropriée.

Préparez une solution de détergent très chaude d'un côté du seau à deux compartiments. Remplissez l'autre compartiment d'eau tiède potable pour le rinçage.

Mélangez une solution de désinfection en ajoutant une cuillerée à soupe d'hypochlorure de sodium (5,25 %) à cinq litres d'eau dans un seau. Cela constitue une solution à 200 ppm. Utilisez cette solution pour remplir la bouteille de pulvérisation ainsi que le seau pour la désinfection.

Nettoyez et désinfectez entièrement le bac d'alimentation, le poussoir, l'ensemble à cylindre de hachoir, l'ensemble à vis hélicoïdale, le couteau, la plaque, la bague de réglage et le carter de la machine. Reportez-vous à la Figure 1 pour l'identification des composants.

NB: Après nettoyage, appliquez une légère couche d'huile minérale de qualité alimentaire au cylindre, en ajustant la bague, le couteau, la plaque et la vis hélicoïdale avant réassemblage.

Pour réassembler, voir la section 8.4 page 25.

11.0 MAINTENANCE

⚠ WARNING Debranchez le cordon d'alimentation électrique du hachoir avant de nettoyer, d'entretenir ou de déposer les pièces. Remplacez les pièces avant utilisation.

NETTOYAGE DE L'APPAREIL

L'appareil doit être entièrement nettoyé à la fin d'une journée de fonctionnement ou après une période de non utilisation prolongée. Référez-vous à NETTOYAGE pour la procédure appropriée (section précédente).

VIDANGE DU MOYEU ET DU CYLINDRE

Vidange du moyeu

Une fente de drainage dans la rondelle d'épaisseur permet de vidanger les jus de viande du moyeu. Cette fente doit être contrôlée périodiquement pour s'assurer qu'elle n'est pas obstruée. On peut utiliser une petite brosse pour retirer toutes matières qui auraient pu s'accumuler.

Vidange du cylindre

Un trou de vidange du côté inférieur du cylindre permet de vidanger les jus de viande. Ce trou doit être contrôlé périodiquement pour s'assurer qu'il n'est pas obstrué. Un petit fil métallique peut être utilisé pour retirer toute matière qui peut s'être accumulée.

PRISE D'AIR

Dans les conditions normales de service le tamis d'admission d'air du moteur, situé à la base du hachoir ne demandera pas ou presque pas de soin. Cependant, dans certaines installations où la sciure ou autres matières étrangères sont présentes dans l'air, ce tamis d'admission peut être partiellement ou complètement couvert. Lorsque de telles conditions poussiéreuses existent, vérifiez périodiquement le tamis et nettoyez avec un chiffon ou une brosse comme nécessaire.

STOCKAGE

Si l'on prévoit de ne pas utiliser dans un avenir immédiat le hachoir, celui-ci doit être complètement nettoyé et recouvert d'un torchon ou autre couverture appropriée.

12.0 LOCALISATION DES DEFAILLANCES

Défaut	Cause possible
La machine refuse de démarrer.	Disjoncteur déclenché, vérifiez le fusible ou le disjoncteur. Relais de surcharge interne déclenché, le relais de surcharge moteur se ré-enclenchera automatiquement après refroidissement.
Le produit a mauvais aspect, sort trop mou.	Le couteau et / ou la plaque sont usés, remplacer le couteau et la plaque ou la bague d'extrémité est desserrée, resserrez la bague uniquement à la main.
Le moteur est sous tension, mais l'arbre de la vis hélicoïdale ne tourne pas.	La bague d'extrémité est trop serrée, serrez la bague d'extrémité uniquement à la main, ou un objet est pris dans le cylindre, retirez le cylindre et la vis hélicoïdale pour vérifier la cause du grippage.

13.0 PIECES DE RECHANGE RECOMMANDEE

087711-232-1	Interrupteur bouton-poussoir Marche / Arrêt
914288	Contacteur
914287	Relais de surcharge
077643-00002	Bague – de réglage
015881	Ensemble vis hélicoïdale
119760-00001	Ensemble cylindre
122554	Poussoir
122555	Bac d'alimentation
004221	Rondelle de butée vis hélicoïdale
004839-00001	Rondelle de butée cylindre
295181	Introduceur – saucisse (boyau de mouton)
295180	Introduceur – saucisse (boyau de porc)
108197-00004	Ensemble vis moletée
914767	Rondelle de calage (moyeu accessoire)
065140	Rondelle plate (moyeu accessoire)
083681	Pied caoutchouc
290481-00019	Boîtier 50 Hz
064965-00008	Panneau – boîtier avant
064805-00008	Panneau – boîtier arrière
914759-00001	Ensemble moteur
914157	Adaptateur de moyeu
914156	Huile d'étanchéité
016423-00001	Plaque hachoir (trous diamètre 1/8") (acier au carbone)
016424-00001	Plaque hachoir (trous diamètre 3/16") (acier au carbone)
016425-00001	Plaque hachoir (trous diamètre 1/4") (acier au carbone)
016423-00002	Plaque hachoir (trous diamètre 1/8") (non affûtable)
016424-00002	Plaque hachoir (trous diamètre 3/16") (non affûtable)
016425-00002	Plaque hachoir (trous diamètre 1/4") (non affûtable)
290339	Couteau – hachoir

14.0 REMARQUES

15.0 INFORMATIONS ET ADRESSES DU SERVICE

Les techniciens d'entretien formés par Hobart sont situés stratégiquement dans des succursales Hobart et sont prêts à vous fournir un service rapide, efficace et fiable. Protégez votre investissement par un contrat d'inspection Hobart, qui assure le fonctionnement continu, efficace de vos appareils Hobart, de leurs pièces de rechange et accessoires. Pour la mise au rebut du hachoir, veuillez contacter le Centre de Service Hobart pour obtenir des renseignements.



Modell *4812*

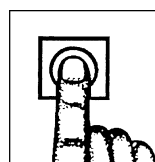
ML-136159

Seite 1 - Englisch

Seite 17 - Französisch

Seite 33 - Deutsch

**INSTALLATION AND OPERATION MANUAL
MANUEL D'INSTALLATION ET D'UTILISATION
INSTALLATIONS UND BEDIENUNGSANLEITUNG**



DEUTSCH / INHALT

4812 CE Fleischwolf	Kapitel	Seite
Allgemeine Hinweise	1.0	35
Wichtige Sicherheitshinweise	1.1	35
Warnsymbole	1.2	35
Garantie	1.3	36
Vorwort	2.0	36
Allgemeine Informationen	3.0	36
Umwelt	4.0	36
Verpackungsmaterial	4.1	36
Entsorgung Ihres Altgerätes	4.2	36
Gerätemaße	5.0	37
Tabelle 1 Technische Daten	6.0	38
Installation	7.0	39
Auspacken	7.1	39
Standort	7.2	39
Elektrische Installation	7.3	39
Inbetriebnahme und Bedienung	8.0	40
Anwendertraining	8.1	40
Vor dem ersten Gebrauch	8.2	40
Geräteteile:	8.3	40
Montage Von Hackinstrumenten und Einfüllschale	8.4	41
Betrieb	9.0	41
Steuerung	9.1	41
Hackfunktionen	9.2	41
Reinigung und Desinfizierung	10.0	42
Wartung	11.0	43
Fehlersuche	12.0	44
Empfohlene Ersatzteile	13.0	45
Notizen	14.0	46
Serviceadressen	15.0	47

1.0 ALLGEMEINE HINWEISE

Die in der Bedienungsanleitung beschriebenen Vorgänge und Sicherheitsmaßnahmen beziehen sich nur auf die Verwendung des Gerätes in der hier beschriebenen Weise. Wird das Gerät in einer anderen als der hier empfohlenen Weise verwendet, ist der Anwender für die eigene Sicherheit und die Sicherheit anderer möglicherweise betroffener Personen selbst verantwortlich.

Bitte lesen Sie die Gebrauchsanleitung vor Inbetriebnahme sorgfältig durch. Zur Vorbeugung von Unfällen beachten Sie die Sicherheitsmaßnahmen und Warnungen, bevor Sie das Gerät installieren und in Betrieb nehmen.

1.1 WICHTIGE SICHERHEITSHINWEISE

- Verwenden Sie für die Reinigung dieses Gerätes weder Spritz- noch Druckreiniger. Befolgen Sie unbedingt die Reinigungsanleitungen in dieser Bedienungsanleitung.
- Entfernen Sie keine Abdeckungen und schrauben Sie keine Maschinenteile ab, während das Gerät im Betrieb ist.
- Bewahren Sie die Bedienungsanleitung zum Nachschlagen in greifbarer Nähe des Fleischwolfes auf.
- Machen Sie jeden Benutzer mit der sicheren Anwendung des Fleischwolfes und der Geräteteile vertraut.
- Ziehen Sie unbedingt den Netzstecker, bevor Sie das Gerät warten lassen, pflegen oder bewegen.
- Drehmechanismus und Elektrizität stellen potentielle Gefahren dar und können zu Verletzungen führen, wenn keine entsprechenden Vorsichtsmaßnahmen vor Inbetriebnahme und Wartung des Gerätes getroffen werden.
- Lassen Sie den Fleischwolf und das Zubehör regelmäßig, jedoch mindestens zweimal jährlich warten. Die Häufigkeit der Wartung ist abhängig von der Nutzung des Gerätes.

1.2 WARNSYMBOL

Zur Kennzeichnung der Sicherheitshinweise in dieser Bedienungsanleitung werden diese Symbole verwendet:

 WARNING Das Warnsymbol weist auf einen wichtigen Hinweis zur sicheren Anwendung des Gerätes hin.



Das Elektrizitätszeichen weist auf Risiken durch Elektrizität hin. Ziehen Sie vor Wartung und/oder Pflege des Gerätes unbedingt den Netzstecker.

1.3 GARANTIE

Installationen und Reparaturen dürfen nur durch qualifiziertes Fachpersonal durchgeführt werden. Verwenden Sie nur Originalersatzteile. Ihre Garantie kann nach unsachgemäßen Installationen und Reparaturen, sowie technischen Veränderungen am Gerät und der Verwendung von Nicht-Original-Ersatzteilen verfallen.

2.0 VORWORT

Hobart behält sich das Recht vor, das Design der Produkte ohne vorherige Ankündigung zu ändern. Der Hersteller unternimmt jegliche Anstrengungen, dass die Anleitungen dem neuesten Design entsprechen, kann jedoch keine hundertprozentige Übereinstimmung gewährleisten. Halten Sie das Gerät sauber und in gutem mechanischen und elektrischen Zustand, und Sie werden lange Freude an Ihrem 4812 Fleischwolf haben.

3.0 ALLGEMEINE INFORMATIONEN

Die in dieser Bedienungsanleitung enthaltenen Informationen und Anleitungen decken möglicherweise nicht alle Details oder Abweichungen des Gerätes sowie alle Eventualitäten bei Installation, Betrieb oder Wartung des Gerätes ab. Wenn Sie weitere Informationen benötigen, kontaktieren Sie bitte Ihr Hobart Service Center.

Das Modell 4812 hat einen .37 kW (.5 PS) starken Elektromotor. Der 4812 hackt 3,63 kg Fleisch pro Minute, indem dieses zuerst durch eine Platte mit Löchern, die einen Durchmesser von 3mm haben, gedrückt wird.

Das Gerät ist für eine Spannung mit 230 Volt/ 50 Hertz Einphasenstrom vorgesehen. Der Fleischwolf ist mit einem „Stromstopp“ ausgestattet, der einen automatischen Start nach einem Stromausfall oder einem vorübergehenden Abbruch der Verbindung zum Stromnetz verhindert.

4.0 UMWELT

4.1 VERPACKUNGSMATERIAL

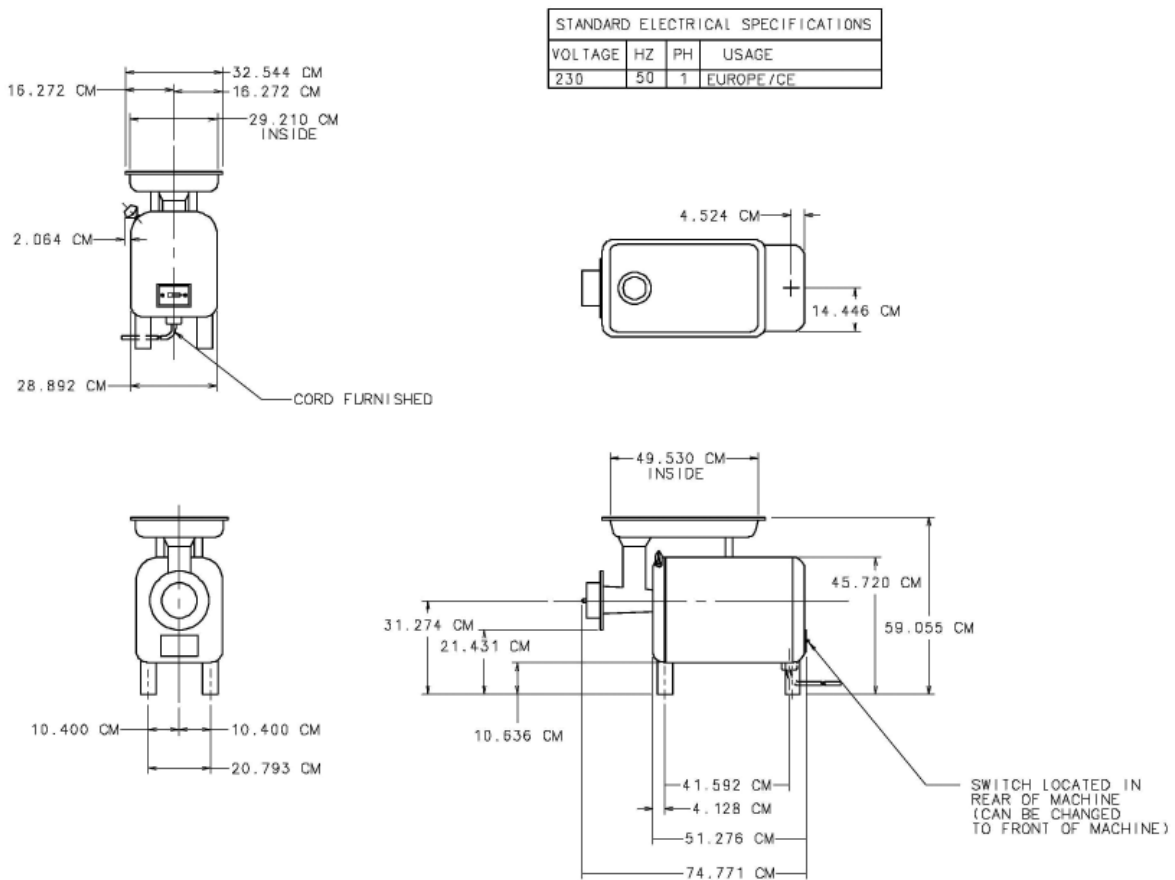
Die Palette und die schützende Polyethylenverpackungsfolie sind aus umweltfreundlichem, recycelfähigem Material. Werfen Sie das Verpackungsmaterial bitte nicht einfach weg, sondern sorgen Sie dafür, dass es recycelt wird.



4.2 ENTSORGUNG IHRES ALTGERÄTES

Altgeräte enthalten Materialien, die recycelt werden können. Bitte fragen Sie bei Ihrer Müllsammelstelle (z.B. Wertstoffhof) nach.

5.0 GERÄTEMASSE



Standard electrical specifications : Standard Elektrische Daten

Voltage : Spannung

Usage : Verwendung

Inside : Innenmaße

Cord furnished : Kabel

Switch located in rear of machine (can be changed to front of machine):

Schalter an Rückwand des Gerätes (kann an der Vorderseite des Gerätes angebracht werden)

6.0 TABELLE 1 TECHNISCHE DATEN

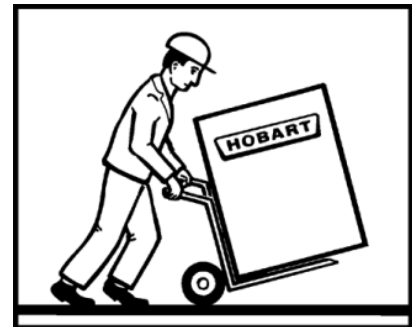
Beschreibung	Einheit	4812
Motorleistung	kW (hp)	.373 (.5)
Maximale Drehzahl des Gewindes (50 Hz)	rpm	1425
Nennspannung	Volts/Hz/ph	230/50/1
Volllaststrom bei o.g. Spannung	Amps	2.9
Anzugsstrom bei o.g. Spannung	Amps	15
Empfohlene Geräteschutzsicherung	Amps	10
Minimale Umgebungstemperatur	°C	0
Maximale Umgebungstemperatur	°C	40
Antriebsspitzelgröße	--	#12
Gerätegewicht (Rumpf)	Kg (Lbs)	39 (86)
Gerätegewicht (Rumpf und Hackinstrumente)	Kg (Lbs)	51 (122)
Geräuschpegel	dB (A)	## unter 70
Transportgewicht (Rumpf)	Kg (Lbs)	48 (105)
Transportgewicht (Hackinstrumente)	Kg (Lbs)	10.2 (23)
Transportmaße (Karton mit Rumpf)	LxWxH cm	65.5 x 40.5 x 58.5
Lagerbedingungen (Temperatur und relative Luftfeuchtigkeit)	°C, % RH	+5 bis +38, 85
Anwendungsklasse	--	Klasse 1
Internationale Sicherheitsstufe (IP Rating)	--	IP35

in Übereinstimmung mit EN-ISO 12001;1996

7.0 INSTALLATION

7.1 AUSPACKEN

Zur Vermeidung von Beschädigungen sollte der Fleischwolf nach Möglichkeit immer in der Verpackung bis zu seinem endgültigen Standort transportiert werden. Verwenden Sie zum Öffnen der Box keine scharfen Gegenstände, da Sie ansonsten das Gerät beschädigen könnten. Überprüfen Sie das Gerät auf mögliche Transportschäden. Im Falle einer Beschädigung des Gerätes bewahren Sie die Originalverpackung auf und kontaktieren Sie umgehend Ihren nächsten Hobart Händler.



Vergewissern Sie sich vor der Installation, dass Ihre Stromversorgung mit den auf dem Typenschild (befindet sich an der Vorderfront unter dem Antriebsritzel) genannten Angaben übereinstimmt.

Wenn das Gerät in der Nähe des endgültigen Standortes steht, entfernen Sie den Karton. Entfernen Sie hierzu die vier Bolzen, die das Gerät auf dem Gestell halten. Packen Sie den beigefügten Karton aus.

Nach Entfernen des Gestells, schrauben Sie die Gewindeschrauben der vier Füße in die Gewindelöcher an den vier Ecken des Bodens. Die Gummisockel der Beine dämpfen das Gerät ab. Bei normalem Betrieb ist ein Festschrauben der Maschine nicht notwendig.

7.2 STANDORT

⚠ WARNING Der Fleischwolf ist nicht für den Gebrauch im Freien geeignet und darf nicht an Orten aufgestellt werden, an denen mit einem Wasserstrahl gereinigt wird. Der Standort muss so gewählt werden, dass nur geschultes Personal das Gerät bedienen und warten kann. Der Fleischwolf darf nur ausschließlich von geschultem Personal bedient werden.

Der Fleischwolf muss auf einer waagerechten, ebenen Unterlage von mindestens 1mm Dicke und einer Größe von mindestens 1x1 Meter aufgestellt werden. Wählen Sie einen geeigneten ebenen Standort, der stabil genug für das Gewicht des Fleischwolfes und eine volle Einfüllschale ist (siehe Tabelle 1 für Gewicht & Seite 37 für Maße).

7.3 ELEKTRISCHE INSTALLATION



Die elektrische Installation der Fleischwolf muss mit den örtlichen behördlichen Vorschriften übereinstimmen.

Die elektrischen Installationen müssen von einer Fachkraft ausgeführt werden.

Die elektrischen Anforderungen zur Installation der Fleischwolf im Detail entnehmen Sie bitte den technischen Daten in Tabelle 1, Seite 38. Vergewissern Sie sich vor dem Anschluss, dass die Stromversorgung des Geräts mit dessen technischen Anforderungen übereinstimmt.

Die Fleischwolf ist mit einem dreifachen Stromversorgungskabel ausgerüstet und kann mit einem geeigneten Schukostecker verbunden werden. Der Stecker und sein Gegenkontakt müssen korrekt geerdet werden. Kontaktieren Sie einen Elektriker. Sorgen Sie für ausreichenden Schutz der elektrischen Sicherungen oder des Hauptschalters.

8.0 INBETRIEBNAHME UND BEDIENUNG

8.1 ANWENDERTRAINING

Nehmen Sie sich Zeit, um allen Anwendern unter Berücksichtigung dieser Bedienungsanleitung die richtige Bedienung und Reinigung des Fleischwolfes zu erklären. Zeigen Sie den Anwendern die Bedienungsanleitung und weisen Sie sie darauf hin, die Anleitung unbedingt anzuwenden.

8.2 VOR DEM ERSTEN GEBRAUCH

Der Fleischwolf muss vor der Inbetriebnahme gereinigt und desinfiziert werden. Die Anleitung zur Reinigung und Desinfizierung finden Sie auf Seite 42.

8.3 GERÄTETEILE:

HACKINSTRUMENTE

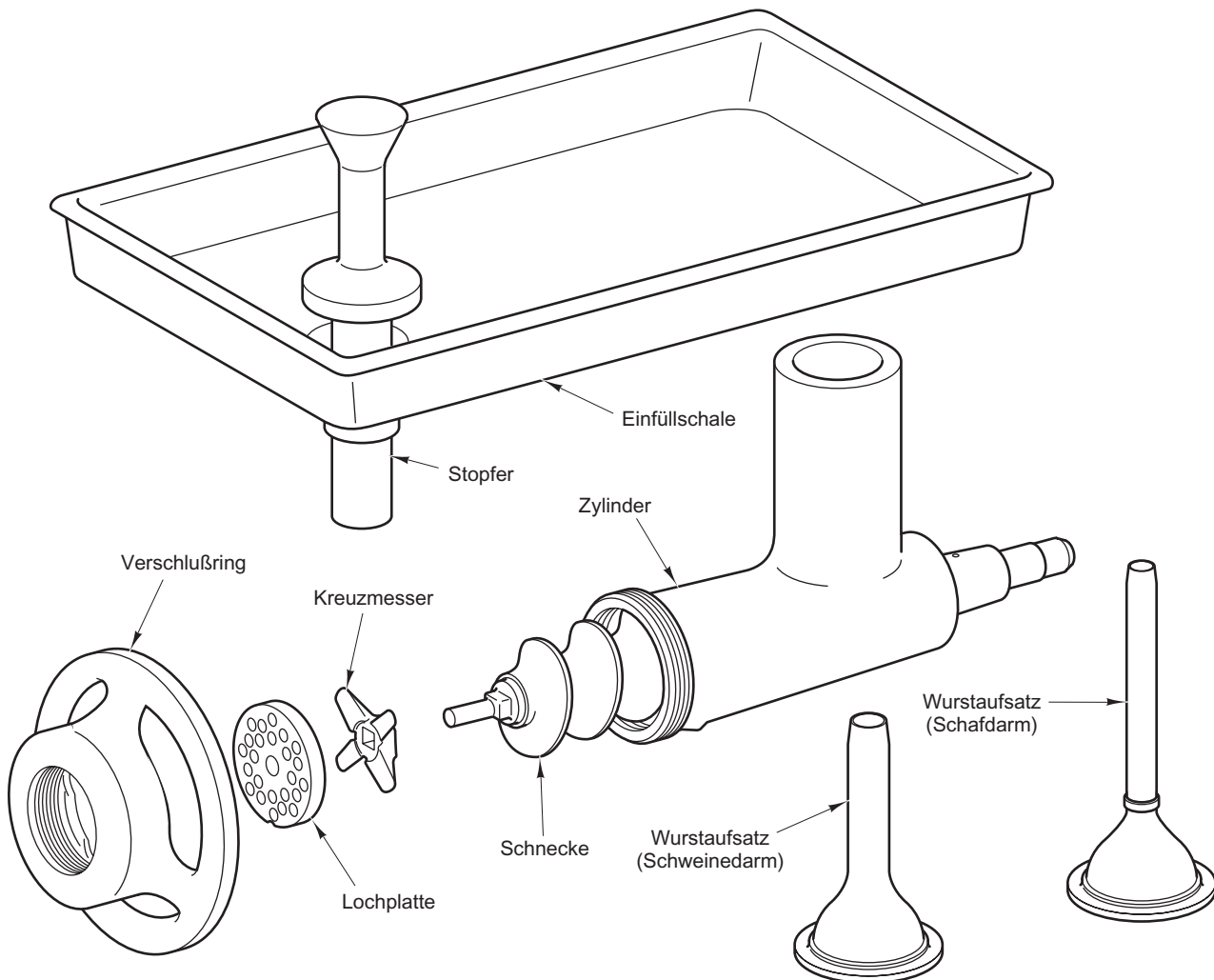


Abb. 1

8.4 MONTAGE VON HACKINSTRUMENTEN UND EINFÜLLSCHALE

Stellen Sie sicher, dass das Antriebsritzel und die Steckdose sauber und frei von Hindernissen sind. Stecken Sie den Stecker des Zylinders mit einer leichten Drehbewegung nach links in das Antriebsritzel. Ist der Anschlagbolzen des Fleischwolfzylinders im hinteren Teil fest in der Öffnung, ziehen Sie die Fingerschraube an, um den Zylinder zu montieren.

Um den Fleischwolfzylinder zu entfernen, drehen Sie die Fingerschraube dreimal um 360°. Die Fingerschraube sollte niemals entfernt werden. Schieben Sie das Gewinde in den Zylinder und drehen Sie es so lange, bis der Vierkantschaft in das Antriebsritzel einrastet. Montieren Sie das Kreuzmesser am Ende des Gewindes mit den Klingen zur Vorderseite, und wiederholen Sie dies mit der Lochscheibe. (Abb. 1). Die Einkerbung an der Lochscheibe ist an dem Stift an der Unterseite des Fleischwolfzylinders ausgerichtet. Ziehen Sie den Verschußring fest. Montieren Sie die Einfüllschale und den Stopfer.

NOTICE Das Kreuzmesser und die Lochscheibe benötigen Fleisch für die Schmierung. Benutzen Sie den Fleischwolf daher niemals ohne Fleisch.

9.0 BETRIEB

9.1 STEUERUNG

Hauptschalter:

- I (grün) ----- betätigen, um den Fleischwolf einzuschalten
- 0 (rot) ----- betätigen, um den Fleischwolf auszuschalten

9.2 HACKFUNKTIONEN

Schneiden Sie das Fleisch in Streifen.

Stellen Sie die Maschine an.

Führen Sie das Fleisch in den Fleischwolf ein und nutzen Sie den Stopfer nur bei Bedarf.

Fleischstreifen mit der richtigen Größe lassen sich ohne Verwendung des Stopfers in den Fleischwolf einführen, und somit hat der Nutzer beide Hände für das Einführen des Fleisches frei. Wenn Sie das Fleisch ein zweites Mal durch den Fleischwolf verarbeiten lassen, erreichen sie eine höhere Geschwindigkeit, indem Sie kleine Portionen einführen, als wenn Sie mit dem Stopfer große Mengen hineindrücken. Die Einfüllschale sollte immer an ihrem Platz auf dem Zylinder bleiben. Dieses erleichtert nicht nur ein schnelles Einführen des Fleisches, sondern hält auch die anderen Geräteteile in ständiger Bereitschaft. Die Dicke des gehackten Fleisches ist abhängig von der Größe der Löcher der Lochscheibe und nicht von der Spannung, mit der der Verschußring befestigt ist. Ziehen Sie daher den Verschußring nur so fest, dass Sie ihn auch mit der Hand lösen können. Entfernen Sie vor dem nächsten Gebrauch sämtliche Hackinstrumente sowie die Einfüllschale, reinigen und desinfizieren Sie diese bei Bedarf und bewahren Sie sie im Kühlschrank auf.

10.0 REINIGUNG UND DESINFIZIERUNG

⚠ WARNING Ziehen Sie den Netzstecker, bevor Sie die Maschine reinigen oder warten.

Für die Reinigung entfernen Sie bitte die folgenden Geräteteile : Einfüllschale, Verschlußring, Lochplatte, Kreuzmesser, Schnecke und Zylinder.

Der Fleischwolf muss nach der Installation und vor Inbetriebnahme gründlich gereinigt und desinfiziert werden.

Reinigungsmaterial (nicht mitgeliefert)

Wir empfehlen folgende Reinigungs- und Desinfizierungsprodukte:

- Eine Nylon-Bürste mit etwa 30 cm (12 Zoll) langem Griff zur Reinigung des Zylinders
- Einen Eimer mit zwei Fächern für das Reinigungswasser
- Einen Eimer für die Desinfektionslösung
- Einen Abfalleimer
- Saubere Tücher
- Eine Sprühflasche

BITTE BEACHTEN: Sie bei der Benutzung von Reinigungsmitteln und Desinfektionsmitteln die Herstellerhinweise zu Gefahren, Handhabung und erster Hilfe. Tragen Sie bei der Reinigung geeignete Handschuhe sowie Augen-/Gesichtsschutz.

Füllen Sie in ein Fach des Eimers Reinigungsmittel und heißes Wasser. Füllen Sie die andere Seite mit warmen Trinkwasser.

Mischen Sie in einem Eimer einen Esslöffel Chlorbleichlauge (5,25 %; Natriumhypochlorit) mit 4,5 Liter Wasser. Das ergibt eine Desinfizierungslösung von 200:1.000.000. Geben Sie diese Lösung in die Spritzflasche und in den Desinfektionseimer.

Reinigen und desinfizieren Sie sorgfältig Einfüllschale, Stopfer, Zylinderteile, Schnecke, Kreuzmesser, Lochplatte, Verschlußring und das Gehäuse. Die Bezeichnung der Maschinenteile finden Sie in Abb. 1.

BITTE BEACHTEN: Sie, dass Sie nach der Reinigung und vor der Montage eine dünne Schicht lebensmittelunbedenkliches Mineralöl auf Zylinder, Schnecke, Kreuzmesser, Lochplatte, und Verschlußring auftragen.

Für die Montage: Sie bitte Abschnitt 8.4 Seite 41.

11.0 WARTUNG

⚠ WARNING Ziehen Sie den Netzstecker vor der reinigung, wartung oder der entfernung von geräteteilen. Ersetzen Sie die geräteteile, bevor sie das gerät das nächste mal benutzen.

REINIGUNG DES GERÄTES

Das Gerät sollte nach Gebrauch immer sorgfältig gereinigt werden, oder wenn es längere Zeit nicht im Betrieb gewesen ist. (Reinigung: siehe vorheriges Kapitel).

ABFLUSS

UNTERLEGSCHIEBENABFLUSS

Durch ein Abflussloch im Motorblock kann der abgegebene Saft des Fleisches ablaufen. Dieser Abfluss sollte regelmäßig auf Fremdkörper untersucht werden. Zur Entfernung der angesammelten Fremdkörper wird die Benutzung einer kleinen Bürste empfohlen.

ZYLINDERABFLUSS

Durch ein Abflussloch an der Unterseite des Zylinders kann der abgegebene Saft des Fleisches ablaufen. Dieser Abfluss sollte regelmäßig auf Fremdkörper untersucht werden. Zur Entfernung der angesammelten Fremdkörper kann ein kleiner Draht benutzt werden.

LÜFTUNG

Unter normalen Betriebsbedingungen erfordern die Lüftungsschlitze an der Unterseite des Fleischwolfes nur geringe Aufmerksamkeit. In einer staubigen Umgebung können die Lüftungsschlitze jedoch teilweise oder vollständig verstopfen. Bei solch staubigen Bedingungen sollten Sie die Lüftungsschlitze regelmäßig überprüfen und bei Bedarf mit einem Lappen oder einer Bürste reinigen.

AUFBEWAHRUNG

Der Fleischwolf sollte bei längerer Nichtbenutzung in gereinigtem Zustand mit einem Tuch oder einer anderen geeigneten Abdeckung abgedeckt werden.

12.0 FEHLERSUCHE

PROBLEM	MÖGLICHE URSACHE
Machine startet nicht.	Der Leistungsschutzschalter wurde ausgelöst. Überprüfen Sie die Sicherung und den Leistungsschutzschalter. Die Maschine ist überlastet und der Überlastungsschutz hat sich aktiviert. Bei einer Überlastung des Motors wird die Maschine nach Motorabkühlung selbst wieder anspringen.
Verarbeitetes Fleisch sieht schlecht aus, ist weich oder breiig.	Verschleiß des Kreuzmessers oder der Lochplatte, ersetzen Sie das Kreuzmesser und/oder die Lochplatte. Verschlußring lose, ziehen Sie den Verschlußring mit der Hand an.
Motor springt an, Gewinde dreht sich nicht.	Verschlußring zu fest, lösen Sie den Verschlußring, und ziehen Sie ihn mit der Hand an. Fremdkörper im Zylinder, entfernen Sie Zylinder und Gewinde zur Fehlersuche.

13.0 EMPFOHLENE ERSATZTEILE

087711-232-1	Ein/Aus-Schalter
914288	Schalter
914287	Überlastung
077643-00002	Ring, Verschluß-
015881	Schneckenbauteil
119760-00001	Zylinderbauteil
122554	Stopfer
122555	Einfüllschale
004221	Schneckendruckscheibe
004839-00001	Zylinderdruckscheibe
295181	Wurststopfer (Schafdarms)
295180	Wurststopfer (Schweinedarm)
108197-00004	Fingerschraube Montage
914767	Zierscheibe (am Motorblock)
065140	Dichtungsring (am Motorblock)
083681	Gummifuss
290481-00019	Gehäuse-50 Hertz
064965-00008	Gehäusevorderfront
064805-00008	Gehäuserückwand
914759-00001	Motorschraube Montage
914157	Nabenadapter
914156	Dichtungsring
016423-00001	Lochplatte (Lochdurchmesser 3,18 mm; 1/8")(unlegierter Stahl)
016424-00001	Lochplatte (Lochdurchmesser 4,76 mm; 3/16")(unlegierter Stahl)
016425-00001	Lochplatte (Lochdurchmesser 6,35 mm; 1/4")(unlegierter Stahl)
016423-00002	Lochplatte (Lochdurchmesser 3,18 mm 1/8")(Stay Sharp)
016424-00002	Lochplatte (Lochdurchmesser 4,76 mm; 3/16")(Stay Sharp)
016425-00002	Lochplatte (Lochdurchmesser 6,35 mm; 1/4")(Stay Sharp)
290339	Schneideset

14.0 NOTIZEN

15.0 SERVICEADRESSEN

Hobart bietet Ihnen technische Unterstützung durch unsere geschulten Techniker in unseren nationalen Hobart Service Centern, die Ihnen schnell, effizient und zuverlässig helfen werden.

Für eine lange Lebensdauer Ihres Gerätes empfehlen wir Ihnen den Abschluss eines Wartungsvertrages mit Hobart, damit Ihre Hobart Geräte, Ersatz- und Zubehörteile auch in Zukunft einwandfrei funktionieren. Für die Entsorgung Ihres Altgerätes wenden Sie sich bitte an Ihr Hobart Service Center.

