

# ECONOMY WALL SHELF

SHELVING - WALL



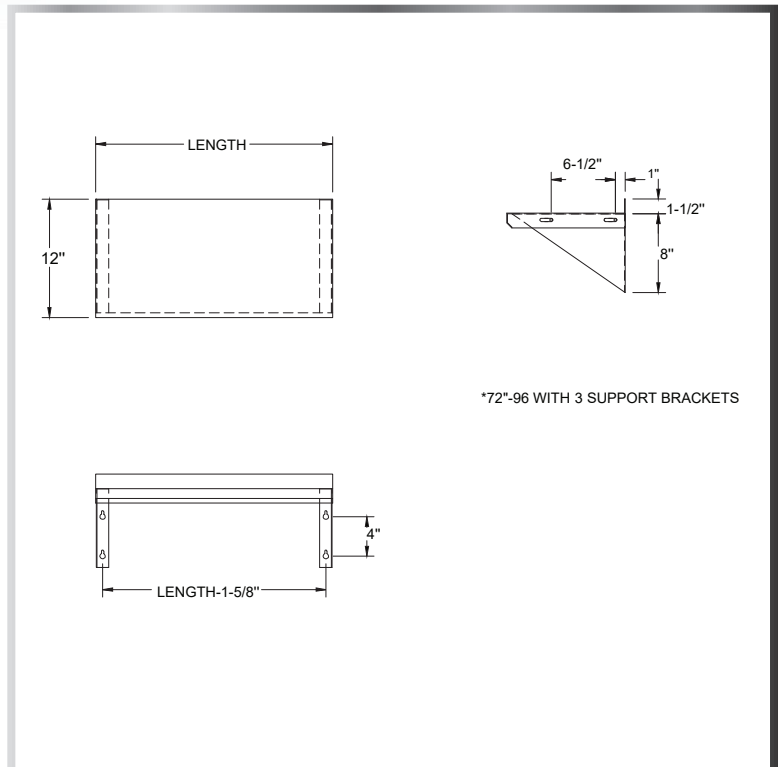
## MATERIALS

- 18 Gauge 430 Series Stainless Steel



## FEATURES

- 1-1/2" Backsplash
- Straight Safety Edge Front
- Includes Support Brackets and Mounting Kit (\* 3 Brackets For Lengths 72" and Above)



MODEL NUMBER	LENGTH	WIDTH
WS-1224E	24"	12"
WS-1236E	36"	12"
WS-1248E	48"	12"
WS-1260E	60"	12"
WS-1272E*	72"	12"
WS-1284E*	84"	12"
WS-1296E*	96"	12"

MODEL NUMBER	LENGTH	WIDTH
WS-1624E	24"	16"
WS-1636E	36"	16"
WS-1648E	48"	16"
WS-1660E	60"	16"
WS-1672E*	72"	16"
WS-1684E*	84"	16"
WS-1696E*	96"	16"

(609) 642 - 8389 | SALES@NBREQUIPMENT.COM | WWW.NBREQUIPMENT.COM

NBR EQUIPMENT, 10 ABEEL ROAD, CRANBURY, NJ 08512