



One Compartment - One Drainboard

Stainless Steel Compartment Sinks



Use your smart phone to scan the above QR code to visit our website:
www.bk-resources.com

Certifications:



Features:

- 1/4" Pitched Drainboards To Ensure Proper Drainage
- 1 1/2" Rounded Front and Side Edges
- Accommodates 8" On Center Faucets
- Drain Included
- 10" Backsplash
- S/S Basket Drain

Material:

- T-304 16 ga. Stainless Steel Deck & Bowl
- Stainless Steel Legs
- Stainless Steel End Bracing
- Adjustable Stainless Steel over Plastic Bullet Feet

Options:

- Pre-Rinse Units & Faucets
- Lever Drains
- Slant Rack Shelf (BK-SSH)
- End Splash (BKS-RES)

*** Please specify Left or Right Drainboard**

Part Number	Unit Size (l x w)	Bowl Dim. (l x w x d)	Sets of Faucet Holes	Drainboard Size	Legs	Product Weight (lbs)
BKS6-1-1620-14-18L/RS	38 3/16" x 25 1/2"	16" x 20" x 14"	1	(1)L/R - 18"	Stainless Steel w/ End Bracing	55.00
BKS6-1-18-14-18L/RS	40 3/16" x 23 1/2"	18" x 18" x 14"	1	(1)L/R - 18"	Stainless Steel w/ End Bracing	55.00
BKS6-1-24-14-24L/RS	52 3/16" x 29 1/2"	24" x 24" x 14"	1	(1)L/R - 24"	Stainless Steel w/ End Bracing	69.00

PRODUCT DATA SHEET

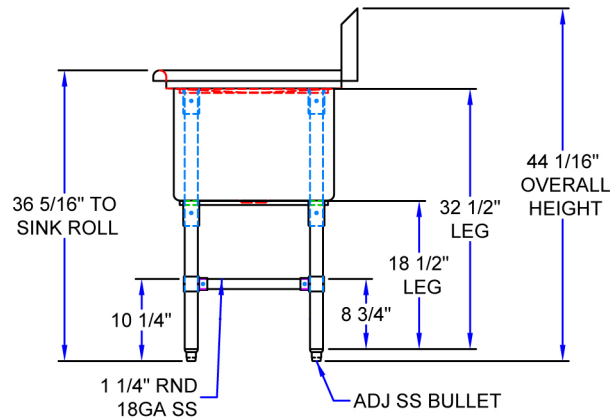
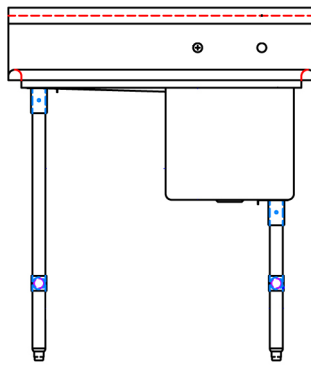
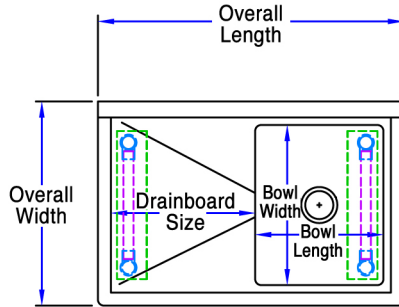
BK RESOURCES





One Compartment - One Drainboard

Stainless Steel Compartment Sinks



PRODUCT DATA SHEET

BK RESOURCES

