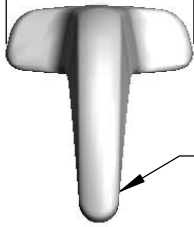


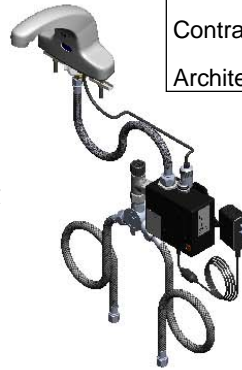
5 7/8"
[149mm]



Polished Chrome Plated Cast Spout w/ B-0199-09-WS 1.5 GPM Vandal Resistant Aerator & Key



ADA Compliant



This Space for Architect/Engineer Approval

Job Name _____ Date _____

Model Specified _____ Quantity _____

Customer/Wholesaler _____

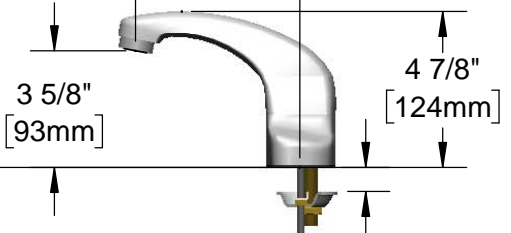
Contractor _____

Architect/Engineer _____

24" [610mm] Sensor Cable

1/2" NPSM x 1/4" NPSM x 18" [457mm] Flexible Stainless Steel Hose

5 1/8"
[130mm]



Mounting Surface

3 5/8"
[93mm]

4 7/8"
[124mm]

3/4"
[19mm] Maximum Thickness

3 5/8" x 4 3/16" x 2" Deep [92mm x 106mm x 51mm] Water Resistant Control Module Box (Black), AC or DC Operated w/ (4) AA Batteries

4"
[102mm]

Removable Strainer

100-240 VAC Adapter w/ 144" [3658mm] Double Power Cord (Remove Rubber Plugs in Module to Connect.)

(2) 3/8" Compression x 1/2" NPSM 18" [457mm] Flexible Stainless Steel Supply Hoses

Mechanical Mixing Valve w/ Integral Check Valves

Rough-In Requirement:

- (1) \varnothing 1" [25mm] Center Shank Mounting Hole
- (2) \varnothing 1/2" [13mm] Mounting Stud Holes on 4" [102mm] Centers

Model Number

5EF-2D-DS-WS

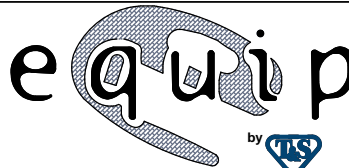
Product Specifications:

Electronic Faucet: 4" Deck Mount Cast Spout Faucet, VR 1.5 GPM Aerator, AC-DC Control Module, Temperature Control Mixing Valve, Integral Check Valves & (2) 18" Flexible Supply Hoses

Product Compliance:

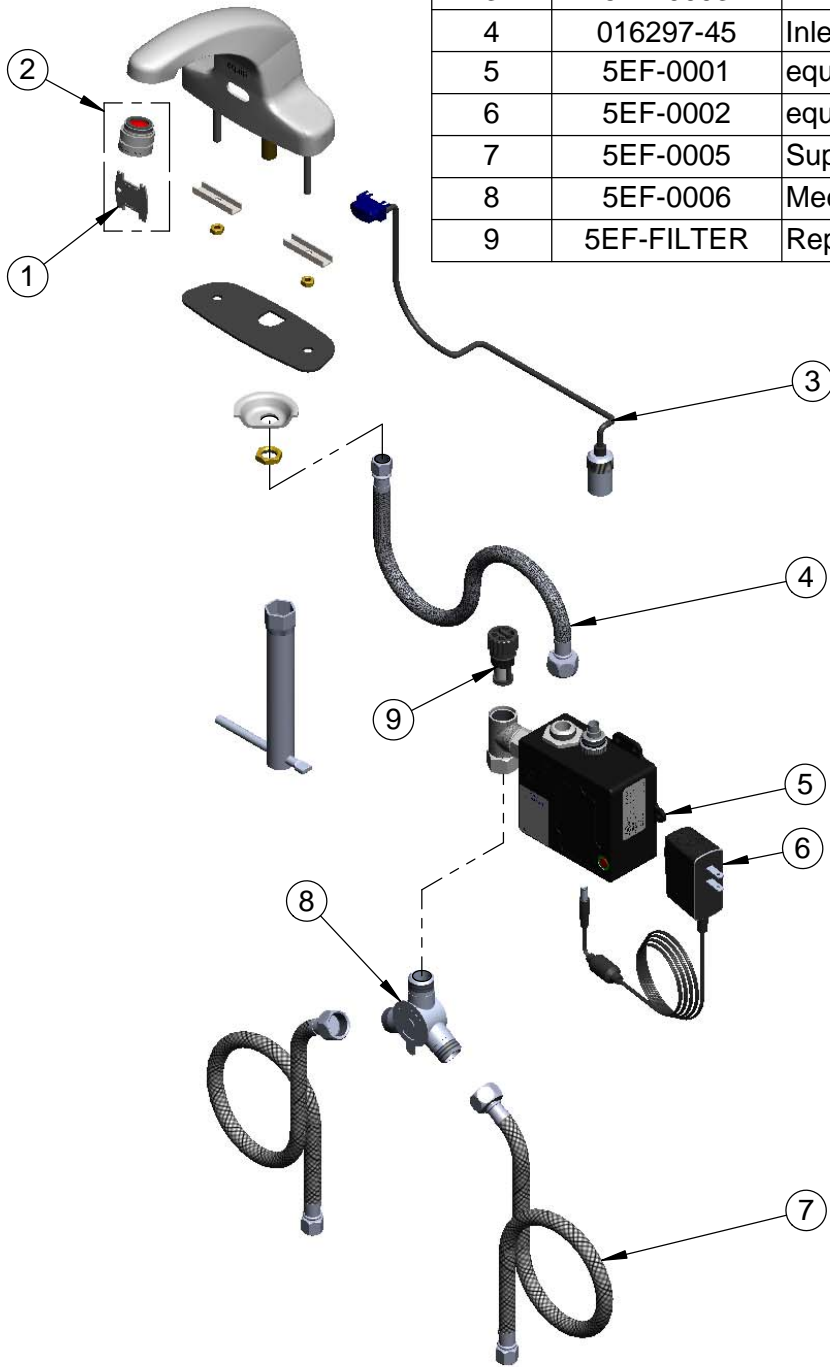
ASME A112.18.1 / CSA B125.1
NSF 61 - Section 9
NSF 372 (Low Lead Content)
ANSI A117.1 (ADA)
UL 1951

equip
Foodservice
Accessories



2 Saddleback Cove, P.O. Box 1088
Travelers Rest, South Carolina 29690
Phone: 800.891.4808 Fax: 800.868.0084
equip.tsbrass.com

ITEM NO.	SALES NO.	DESCRIPTION
1	015425-45	Vandal Resistant Key
2	B-0199-09-WS	VR 1.5 GPM Aerator, 15/16-27 UN Male w/ Key
3	5EF-0003	24" Sensor Cable
4	016297-45	Inlet Hose, Faucet, 1/2" NPSM-F x 1/4" NPSM-F
5	5EF-0001	equip Sensor Faucet - Control Module
6	5EF-0002	equip AC Transformer, 100-240 VAC
7	5EF-0005	Supply Hose, 9/16-24 Female x 1/2" NPSM
8	5EF-0006	Mechanical Mixing Valve
9	5EF-FILTER	Replacement Filter



Model Number

5EF-2D-DS-WS

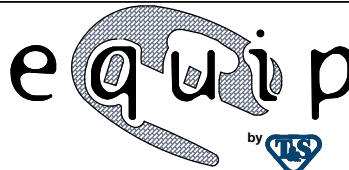
Product Specifications:

Electronic Faucet: 4" Deck Mount Cast Spout Faucet, VR 1.5 GPM Aerator, AC-DC Control Module, Temperature Control Mixing Valve, Integral Check Valves & (2) 18" Flexible Supply Hoses

Product Compliance:

ASME A112.18.1 / CSA B125.1
 NSF 61 - Section 9
 NSF 372 (Low Lead Content)
 ANSI A117.1 (ADA)
 UL 1951

equip
 Foodservice
 Accessories



2 Saddleback Cove, P.O. Box 1088
 Travelers Rest, South Carolina 29690
 Phone: 800.891.4808 Fax: 800.868.0084
 equip.tsbrass.com