



Filler Tables

All Stainless Steel Filler Tables



Use your smart phone to scan the above QR code to visit our website:
www.bk-resources.com

Certifications:



Features:

- 1^{5/8}" Legs
- 1^{1/2}" Riser
- Stainless Top, Legs & Shelf

Options:

- Casters
- Upgraded Bullet Feet

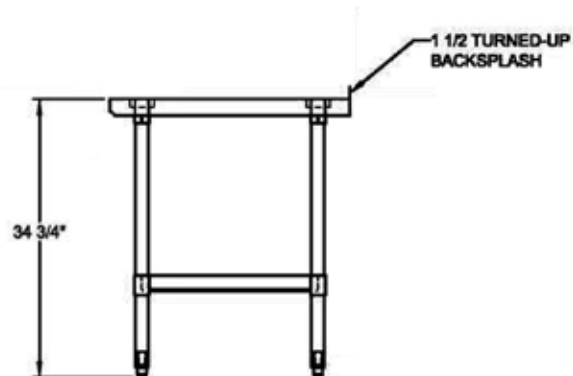
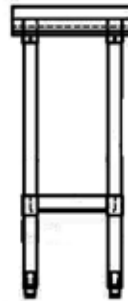
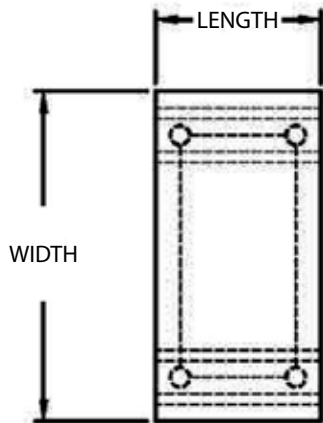
Material:

S/S w/ Stainless Steel Legs & Undershelf

- T-430 18 ga. Stainless Steel Top
- Stainless Steel Legs & Adjustable Undershelf
- Adjustable High Impact Corrosion Resistant Feet

Length	T-430 S/S 24" Width	Product Weight (lbs)
15"	SFTS-1524	
18"	SFTS-1824	34.00
24"	-	-

T-430 S/S 30" Width	Product Weight (lbs)
SFTS-1530	33.00
SFTS-1830	37.00
SFTS-2430	43.00



PRODUCT DATA SHEET

BK RESOURCES

