

ECONOMY SOILED DISH TABLE (LEFT TO RIGHT OPERATION)

DISH TABLES - SOILED



MATERIALS

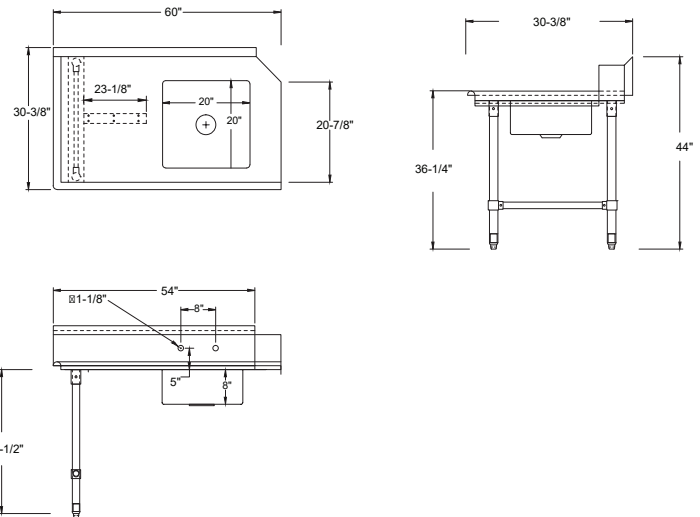
- 18 Gauge 300 Series Stainless Steel Top
- Galvanized Steel Legs and Gussets
- Plastic Bullet Feet

**COMPATIBLE WITH
NEW NBR FAUCETS!**

SEE PAGE 75

FEATURES

- Straight Design
- 10" Backsplash with 2" Return to Wall At 45°
- 8" On-Center Wall-Mounted Faucet Holes
 - Rolled Front and Side Edges
- One Deep Pre-Rinse Sink on Right Side
- Adjustable Bracing and Bullet Feet
 - Drain Basket Included



MODEL NUMBER	BOWL SIZE L X W X H	LENGTH	WIDTH
SDT-26L	20" x 20" x 8"	26"	30-3/8"
SDT-36L	20" x 20" x 8"	36"	30-3/8"
SDT-48L	20" x 20" x 8"	48"	30-3/8"
SDT-60L	20" x 20" x 8"	60"	30-3/8"
SDT-72L	20" x 20" x 8"	72"	30-3/8"