



PROJECT: _____
 ITEM # _____ QTY: _____
 MODEL # _____
 AIA # _____ SIS # _____

WORKTOP REFRIGERATOR WITH DRAWERS

WORKTOP REFRIGERATOR WITH DRAWERS

VWRD60HC-4



EXCLUSIVE WARRANTY

- ▶ 7 Year Parts, Labor and Compressor
- ▶ Exclusive 2 Year Warranty On Magnetic Door Gaskets
- ▶ Lifetime Warranty On Handles & Hinges (parts only)



CABINET CONSTRUCTION

- Stainless Steel Exterior (galvanized back & bottom)
- Aluminum Interior
- 20 Gauge Stainless Steel Drawers
- 4" High, Foamed-In-Place Backsplash
- One Piece, Snap-In Magnetic Drawer Gaskets
- 6" Casters Two With Brakes
- 8' Cord And Plug (see electrical data for details)

FEATURES

- Full Electronic Control
- Stay-Open Drawer Feature For Easy Product Loading
- Low Profile Horizontal Drawer Handles
- Heavy-Duty Pan Supports Provided
- Drawers Accommodates 6" Deep Full Size Food Service Pans In Both Upper And Lower Drawers (pans not included)
- Telescoping Drawer Slides With Locking Mechanism

REFRIGERATION

- Refrigeration System Uses R-290 Refrigerant To Comply With All Environmental Concerns
- Rear Mounted Refrigeration System
- Adaptive Defrost For Reduced Energy Consumption And More Consistent Product Temperatures
- Epoxy Coated Evaporator Coil
- Refrigerator Capable Of Maintaining Product Temperature 36°F To 38°F



Please Verify Qualifying Units By Visiting:
www.energystar.gov/cfs

OPTIONS & ACCESSORIES

- Stainless Steel Interior
- Stainless Steel Back
- Cutting Board
- Drawer Locks
- 6" Legs Or 6" Seismic Legs
- Casters: 3", Roller Kit, Low Profile
- Remote Models* (6" legs only)
 (refrigerant must be specified at time of order, see note on back on page)

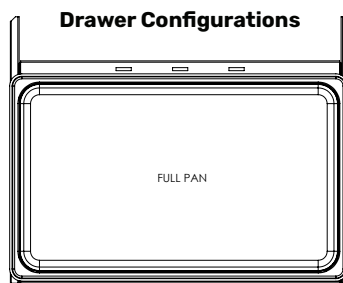
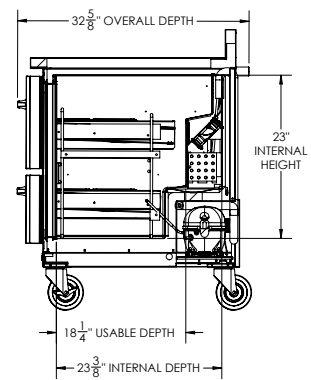
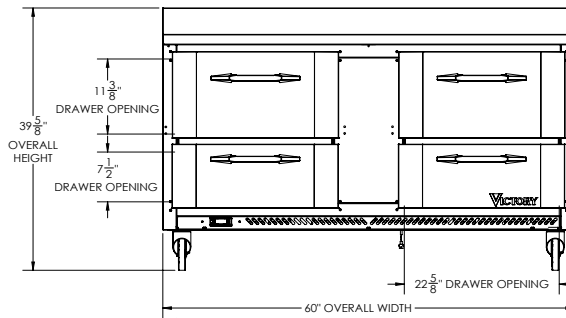
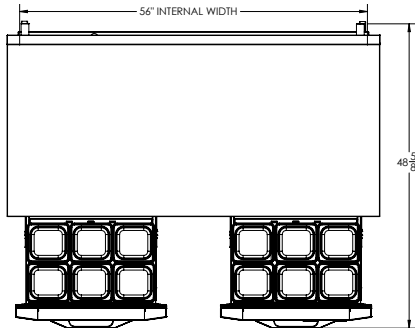
3779 Champion Blvd, Winston-Salem, NC 27105

ph: (888) 845-9800 | fax: (800) 253-5168

Sales@VictoryRefrigeration.com | VictoryRefrigeration.com

Rev. 7/18/24 Printed in U.S.A.

APPROVAL: _____ DATE: _____



We reserve the right to change specifications and product design without notice. Such revisions do not entitle the buyer to corresponding changes, improvements, additions or replacements for previously purchased equipment. Dimensional tolerances +/- 1/4". Metric dimensions (MM)

3" Bottom & 2" Rear clearance is required

| CHARACTERISTICS | | ELECTRICAL DATA | | SHIPPING DETAILS | |
|------------------------------|---------------------------------------|--------------------------------|--------------------|---|---------|
| Net Capacity (cubic ft.) | 14.75 | Cabinet Voltage | 115/60/1 | Height | 48" |
| Width, Overall (in.) | 60" | Total Amperes | 3.0 | Width | 62" |
| Depth, Overall (with handle) | 32 5/8" | NEMA Plug (8' cord) | 5-15P | Depth | 38" |
| Height Overall (6" casters) | 39 5/8" | REFRIGERATION DATA | | Crated Weight | 412 lbs |
| Depth, Drawer Open 90° | 48 5/8" | Condensing Unit Size, HP | 1/5 | *NOTE: Remote units are field wired and comes with 6" legs. Refrigerant must be specified at time of order. | |
| Drawer Opening (in.) | 22 5/8" x 7 1/2" 22 5/8" x 11 3/8" | Refrigerant* | R-290 | | |
| No. Of Drawers | 4 | Capacity (BTU/HR) (100°F/20°F) | 1350 | | |
| | | Heat Rejection (BTU/HR) | 2025 | | |
| | | Charge (lbs/grams/ounces) | 0.243 / 110 / 3.89 | | |

3779 Champion Blvd, Winston-Salem, NC 27105 | ph: (888) 845-9800 | fax: (800) 253-5168

Sales@VictoryRefrigeration.com | VictoryRefrigeration.com

Rev. 7/18/24 Printed in U.S.A.