



T&S BRASS AND BRONZE WORKS, INC.
 2 Saddleback Cove / P.O. Box 1088
 Travelers Rest, SC 29690

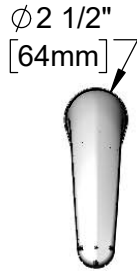
Model No.
EC-3132-STV5THG

Item No.

Travelers Rest, SC: 800-476-4103 • Simi Valley, CA: 800-423-0150 • Fax: 864-834-3518 • www.tsbrass.com



ADA Compliant



This Space for Architect/Engineer Approval

Job Name _____ Date _____

Model Specified _____ Quantity _____

Customer/Wholesaler _____

Contractor _____

Architect/Engineer _____

Internal Above Deck Electronics w/ Flow Control Setting Switches. Powered w/ 6 VDC Lithium Battery.

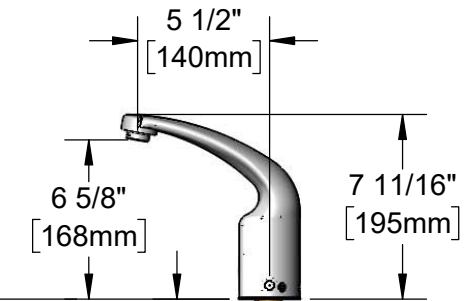
Cast Spout w/ 0.5 GPM [1.9 L/min] Vandal Resistant Non-Aerated Spray Device

Removable Anti-Rotation Pin

Mounting Surface

$\frac{13}{16}''$
[21mm]

19" [483mm] Flexible Stainless Steel Supply Hose w/ 1/2" NPSM Swivel End

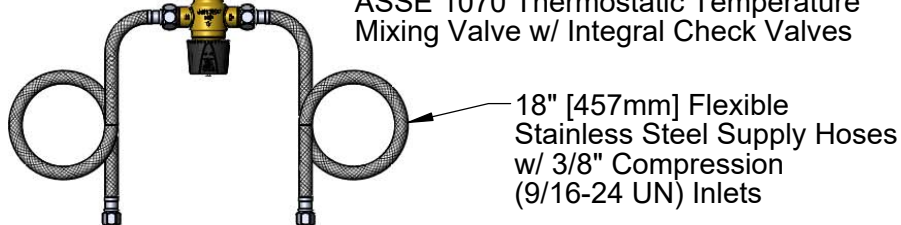


$1 \frac{1}{2}''$
[38mm]
Maximum Thickness

Optional 100-240 VAC Adapter w/ 71" [1800mm] Power Cord

Hydro-Generator Power Supply w/ 1/2" NPSM Swivel Coupling. No Batteries or AC Adapter Needed to Supply Power to Faucet

EC-TMV ASSE 1070 Thermostatic Temperature Mixing Valve w/ Integral Check Valves



Rough-In Requirement:

- $\phi 1 \frac{1}{4}''$ [32mm] Mounting Hole
- $\phi \frac{3}{16}''$ [5mm] Anti-Rotation Pin Hole (Optional)

Product Specifications:

Chrome Plated Brass Above Deck Electronics Faucet, Single Hole Single Temperature Deck Mount, Cast Spout w/ 0.5 GPM VR Non-Aerated Spray Device, Low Flow Hydro-Generator Powered, Thermostatic Temperature Control Mixing Valve, Stainless Steel Flexible Supply Hoses & 3/8" Compression Inlets

Product Compliance:

ASME A112.18.1 / CSA B125.1
 NSF 61 - Section 9
 NSF 372 (Low Lead Content)
 ANSI A117.1 (ADA)
 UL 1951
 ASSE 1070 (TMV)



T&S BRASS AND BRONZE WORKS, INC.

2 Saddleback Cove / P.O. Box 1088
Travelers Rest, SC 29690

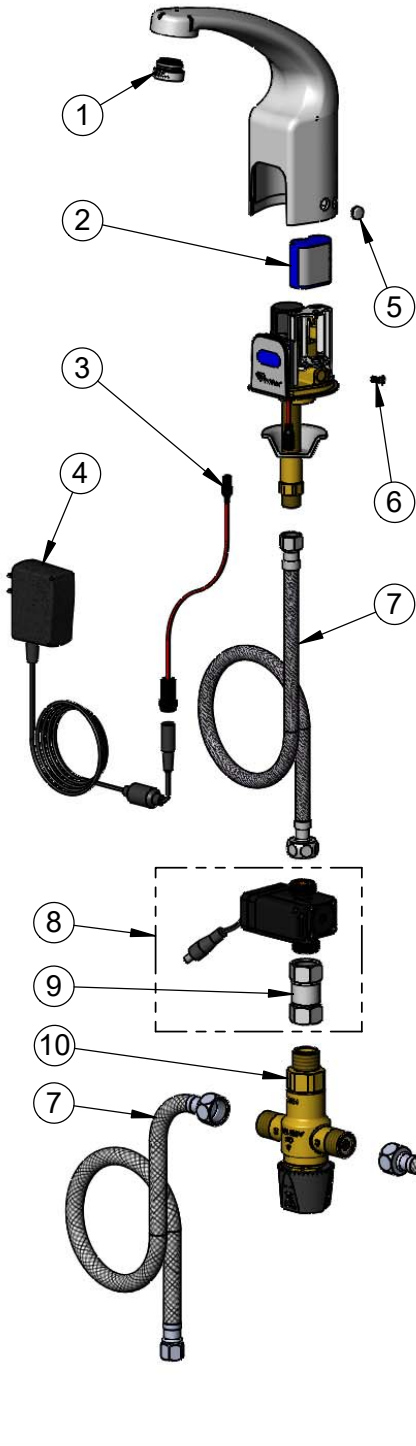
Model No.

EC-3132-STV5THG

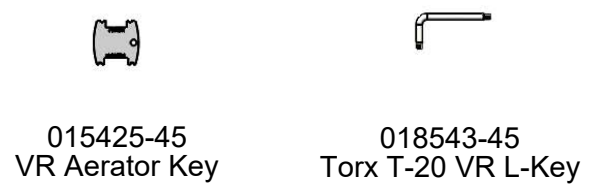
Item No.

Travelers Rest, SC: 800-476-4103 • Simi Valley, CA: 800-423-0150 • Fax: 864-834-3518 • www.tsbrass.com

ITEM NO.	SALES NO.	DESCRIPTION
1	B-0199-08-N05	0.5 GPM VR Non-Aerated Spray Device, 13/16-27 Male w/ Key
2	019087-45	6VDC Lithium Battery, CR-P2
3	019088-45	Auxiliary Power Connector Cable
4	5EF-0002	A/C Transformer
5	019086-45	Body Plug, Pre-Set Temperature
6	019082-45	Body Screw w/ L-Key
7	5EF-0005	Supply Hose, 9/16-24 Female x 1/2" NPSM
8	EC-HYDROGEN-LF	Low Flow Hydro-Generator
9	017506-45	1/2" NPSM Swivel Coupling
10	EC-TMV	ASSE 1070 Thermostatic Mixing Valve



A maximum of (8) ChekPoint faucets can be powered by EC-HARDWIRE ChekPoint Hardwire AC Transformer when connected using EC-ADEWIRE cables. (Both sold separately)



Flow Control Switches are Located Behind the Sensor.
Remove Battery to Access Switches.

* Switches are set to DEFAULT position:

- Auto Time Out = 15 seconds
- Shut Off Delay = 1 second
- Auto Flush = OFF

* Available Water Flow Control Selections:

- Auto Time Out: 15 sec, 30 sec, 45 sec, 60 sec, 3 min, 20 min
- Shut Off Delay: 1 sec, 10 sec, 15 sec, 30 sec
- Auto Flush (30 Seconds After Every 12 Inactive Hours): ON or OFF

Product Specifications:
Chrome Plated Brass Above Deck Electronics Faucet, Single Hole Single Temperature Deck Mount, Cast Spout w/ 0.5 GPM VR Non-Aerated Spray Device, Low Flow Hydro-Generator Powered, Thermostatic Temperature Control Mixing Valve, Stainless Steel Flexible Supply Hoses & 3/8" Compression Inlets

Product Compliance:
ASME A112.18.1 / CSA B125.1
NSF 61 - Section 9
NSF 372 (Low Lead Content)
ANSI A117.1 (ADA)
UL 1951
ASSE 1070 (TMV)