

# PRESTIGE *Signature Series*

## Cabinet w/ Dump Sink/Waste Chute

### 25" and 30" Wide Units

Item #: _____	Qty #: _____
Model #: _____	
Project #: _____	



**w/ Hinged Door**  
*PRWC-19-18-DR Shown*

**FEATURES:**

- 9" x 9" x 4" hand sink.
- 6" diameter dry waste chute.
- 7" backsplash.
- Stainless steel legs with adjustable plastic bullet feet.
- Optional removable hinged doors.
- PRWC-24 series** has rear deck for extra storage.

**MATERIAL:**

- 20 gauge, 300 stainless steel
- Legs:** 1 5/8" O.D. 18 gauge, 300 stainless steel with adjustable stainless steel bullet feet

**MECHANICAL:**

- PRWC-19 Series** includes K-123 splash mounted faucet
- PRWC-24 Series** includes K-124 deck mounted faucet
- 1" IPS drain (bottom of base)
- 3 1/2" basket, 1 1/2" drain in hand sink

**OPTIONAL:**

- K-316-LU** - Add wrist handles
- SU-27** - Add door locks

**Conforms To NSF 61/9 Lead Free Requirements**

**w/ Splash Mt. Faucet**

**w/ Deck Mt. Faucet**

25" WIDE			30" WIDE			
Model #	Approx. Weight	Approx. Cu. Ft.	Model #	Approx. Weight	Approx. Cu. Ft.	O.A. Length (A)
PRWC-19-18-DR	60 lbs.	12	PRWC-24-18-DR	65 lbs.	15	18"

 **WARNING:** Equipment that include faucets on this page may contain a chemical known to the State of California to cause cancer, birth defects or other reproductive harm.

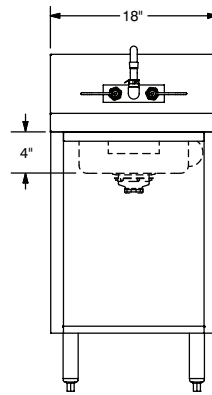
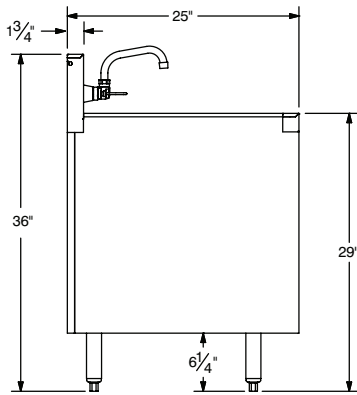
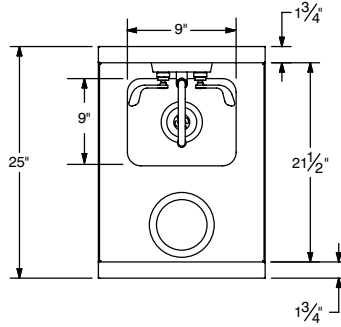
# DIMENSIONS and SPECIFICATIONS

TOL Overall:  $\pm .500''$  Interior:  $\pm .250''$

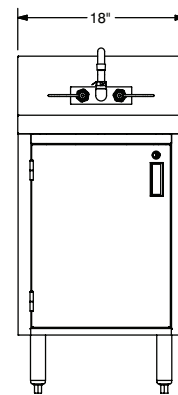
ALL DIMENSIONS ARE TYPICAL

## PRWC-19 Series

Shown with optional wrist handles  
& SU-27 Door Lock



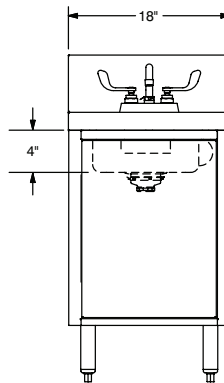
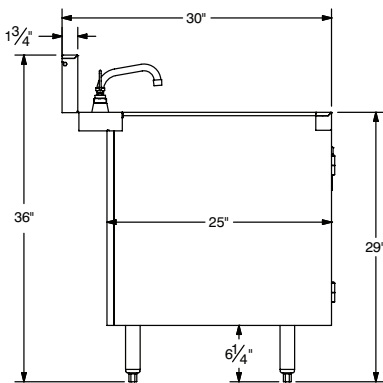
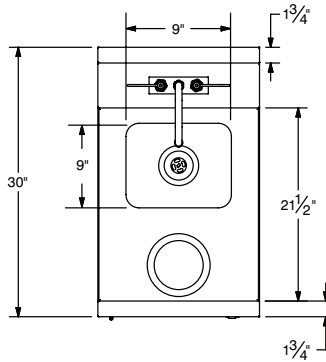
OPEN BASE SERIES



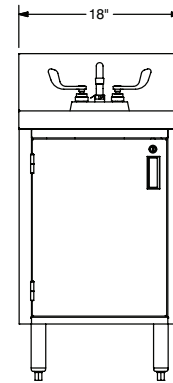
HINGED DOORS SERIES

## PRWC-24 Series

Shown with optional wrist handles  
& SU-27 Door Lock



OPEN BASE SERIES



HINGED DOORS SERIES



ADVANCE TABCO is constantly engaged in a program of improving our products. Therefore, we reserve the right to change specifications without prior notice.