



IM-200BAC

**SELF-CONTAINED SQUARE CUBER
WITH BUILT-IN STORAGE BIN**



IM-200BAC
08/02/23
Item # 13548


W x D x H
39¹/₂" x 23⁵/₈" x 33¹/₂"*
*including 6" legs

IM-200BAC
Air-Cooled



Features

- ▶ Large, individual, clear square cubes
- ▶ Self-contained with built-in storage bin
- ▶ Each cube is made individually by a dedicated jet spray

- Up to 188 lbs. of ice production per 24 hours
- Built-in storage capacity 75 lbs.*
- EverCheck™ alert system 
- Durable stainless steel exterior
- Removable air filter
- Ice scoop included
- Five 6" adjustable legs are standard
- 6' power cord with NEMA 5-15P plug
- R-404A Refrigerant

Warranty:

3 Year Parts & Labor on entire machine. 5 Year Parts on Compressor; air-cooled condenser coil. Valid in United States, Canada, Puerto Rico and U.S. Territories. Contact factory for warranty in other countries.

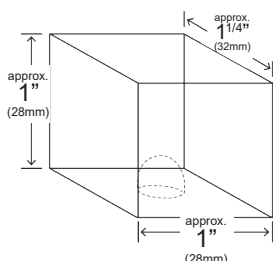
Shipping: (LxWxH) 43¹/₄" x 26³/₄" X 34¹/₈" Volume: 22.85ft³



Condenser	Model	ICE PRODUCTION		WATER USAGE		ELECTRICAL			Storage Capacity	Heat Rejection BTU/hr.	Refrigerant Charge Amount	Net / Ship Weight (lbs.)
		Air / Water Temp 70° / 50°F	90° / 70°F	Potable Gal. per 100 lbs. 90° / 70°F	kWh Used per 100 lbs. 90° / 70°F	Min. Circuit/ Max. Fuse Size	Amperage	Voltage				
Air-Cooled	IM-200BAC	188	150	22.5	8.4	15A	7.5A	115V/60/1	2.5ft ³ /75lbs.*	3,420	10.6oz	175 / 212

*Rated in accordance with AHRl Standard 820(I-P). Capacity based on 100% of total volume x 30 lb/ft³ average density of ice.

IM Cube Dimensions*



* approximate size; image not to scale

Operating Limits

- Ambient Temp Range 45 - 100°F
- Water Temp Range 45 - 90°F
- Water Pressure 10 - 113 PSIG
- Voltage Range 104 - 127V
- If GFCI is required, a GFCI breaker MUST be used in lieu of GFCI receptacle

Service

- Panels easily removed and all components accessible for service.
- Removable/cleanable air filter.

Water Filter

Please refer to water filter specification sheet for recommendations.

Plumbing

- Icemaker Water Supply Line: Minimum 1/4" Nominal ID Copper Water Tubing or Equivalent
- Icemaker Drain Line: Minimum 3/4" Nominal ID Hard Pipe or Equivalent

Clearance

- Allow 6" (15 cm) clearance on right side and 2" (5 cm) on rear. Allow 2" (5 cm) on left side and 0" on top or 5/8" (15 mm) on left side and 2" (5 cm) on top for proper air circulation and ease of maintenance/service.
- Do not place more than 33 lbs. on the top panel.

Hoshizaki reserves the right to change specifications without notice.



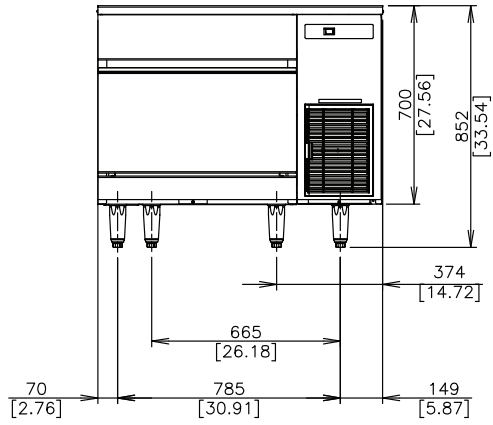
IM-200BAC

SELF-CONTAINED SQUARE CUBER
WITH BUILT-IN STORAGE BIN

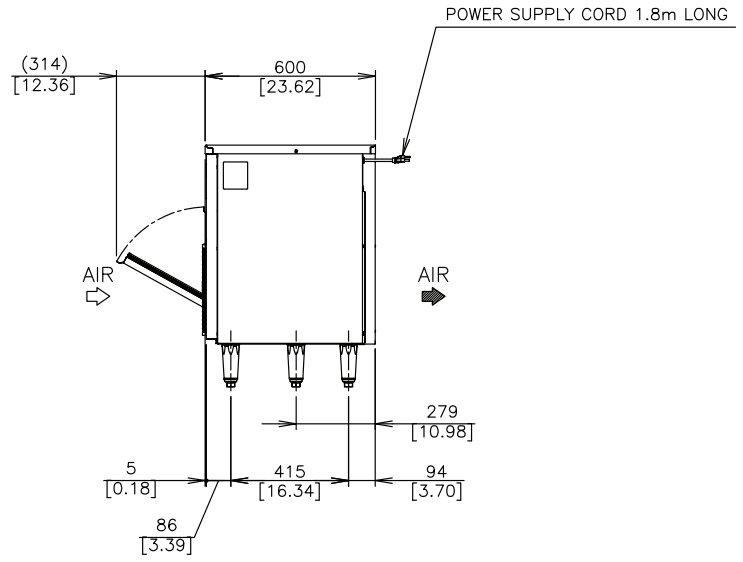


IM-200BAC
08/02/23
Item # 13548

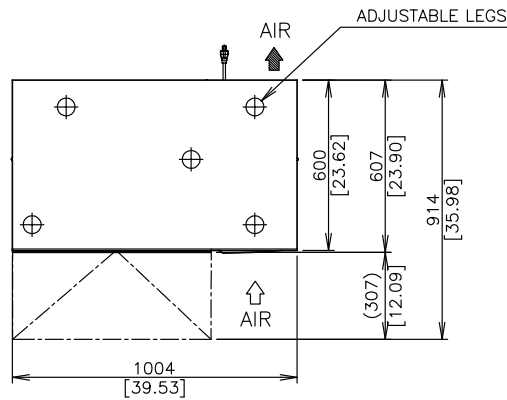
FRONT VIEW



SIDE VIEW



BOTTOM VIEW



REAR VIEW

