

HOBART701 S Ridge Avenue, Troy, OH 45374
1-888-4HOBART • www.hobartcorp.com**WPR-1260 WASTE PRO
WASTE EQUIPMENT SYSTEM****HOBART****WPR-1260 WASTE PRO WASTE EQUIPMENT SYSTEM****STANDARD FEATURES****PULPER:**

- **Pulper Tank:**
30" diameter polished 300 series stainless steel tank weldment
- **Pulping Disc:**
13 $\frac{7}{8}$ " diameter stainless steel pulping disc
- **Rotating Shearing Cutters:**
Investment cast 17-4 stainless steel
- **Particle Sizing Ring:**
Fabricated stainless steel ring, matched to the pulping disc
- **Stationary Shearing Cutters:**
Four carbide cutters mounted on sizing ring to provide shearing action
- **Legs:**
Tubular stainless steel
Adjustable $\frac{3}{4}$ " in either direction
- **Water Consumption:**
0-4 GPM with 25 psi line pressure
- **Empty Cycle**
- **Waterpress:**
See separate specification sheets

ELECTRICAL:

- **Pulper Motor:**
6.0 horsepower, TEFC (Totally Enclosed Fan Cooled)
Direct drive with 1 $\frac{5}{8}$ " diameter shaft
- **Controls:**
Prewired wall mount electrical control panel
NEMA 4 stainless steel enclosure
Magnetic-type motor contactors
Overload protection
Nominal 115 volt and 24 volt control circuit wiring
Junction box with terminal strips mounted on tank for easy access
- Remote "Start-Stop" push-button station

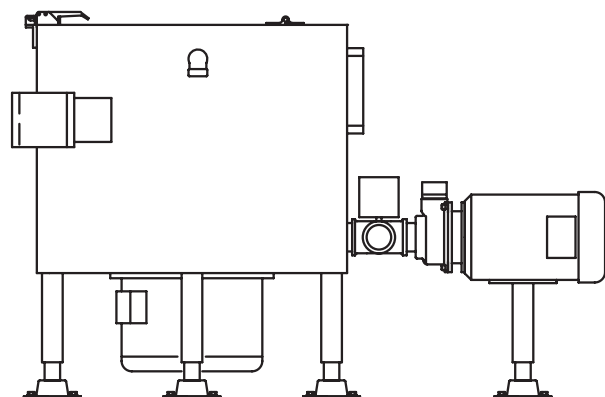
MODEL

- WPR-1260 Waste Equipment System

OPTIONS

- FREE-STANDING MODELS:**
 - Feed Tray Assembly:**
Stainless steel construction
Ergonomically designed
Removable splash curtain
24" x 25" feed tray with standard flushing action
 - Hinged Cover:**
Interlocked to prevent operation when opened
- UNDERCOUNTER MODELS:**
 - Removable Cover Plate:**
Integrated interlock switch
Rubber boot included with cover plate
- ALL MODELS:**
 - Trough connection, 9" wide or 12" wide
 - Flush mounted control panel
 - 2nd remote Start/Stop button
 - Flange-style seismic feet
 - Trough magnet, bottom-trough or side-trough mount (1 pair)
 - Programmable Logic controls
 - Buss communication

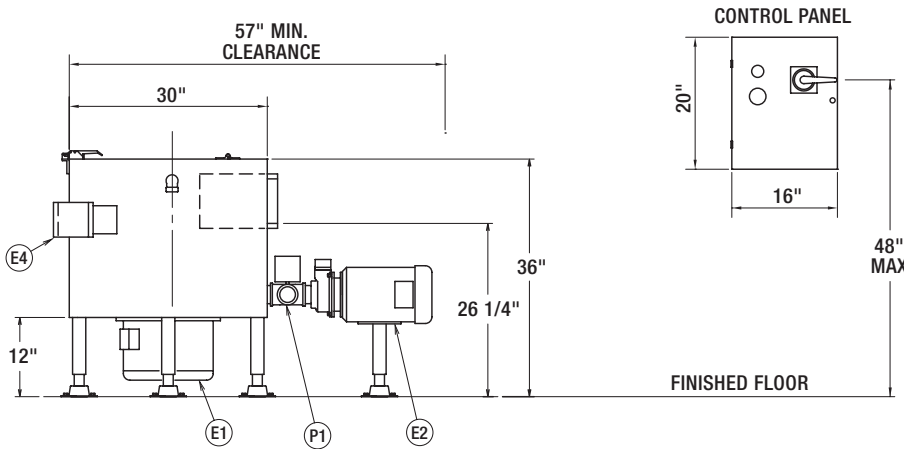
Specifications, Details and Dimensions on Inside and Back.



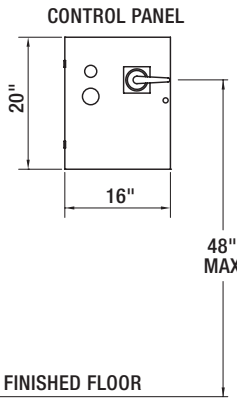
WPR-1260 WASTE PRO WASTE EQUIPMENT SYSTEM



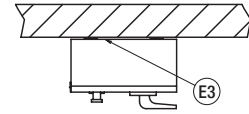
701 S Ridge Avenue, Troy, OH 45374
1-888-4HOBART • www.hobartcorp.com



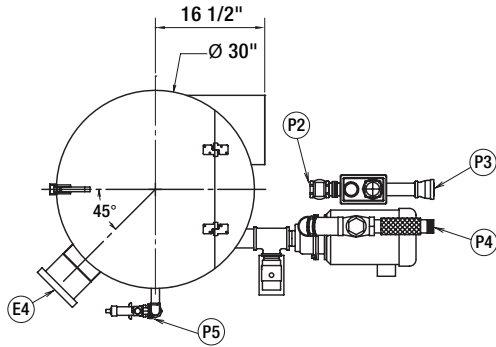
WPR-1260 ELEVATION VIEW (FREESTANDING)



MODEL: WPR1260 FS
OPERATION
E-316104
REV. B



WALL MOUNTED CONTROL BOX
(ELECTRICAL CONDUIT HOLES TO BE ADDED AT TIME OF INSTALLATION)
MOUNT BOX 48" AFF. MAX (AT HANDLE)
LOCATION TO BE DETERMINED BY INSTALLER & NEC/LOCAL CODES



WPR-1260 PLAN VIEW (FREESTANDING)



OPTIONAL FEED TRAY

WARNING

ELECTRICAL AND GROUNDING CONNECTIONS MUST COMPLY WITH THE APPLICABLE PORTIONS OF THE NATIONAL ELECTRICAL CODE AND/OR OTHER LOCAL ELECTRICAL CODES. PLUMBING CONNECTIONS MUST COMPLY WITH APPLICABLE SANITARY, SAFETY AND PLUMBING CODES.

CONNECTION INFORMATION (AFF - ABOVE FINISHED FLOOR)

- E1 ELECTRICAL CONNECTION - PULPER DRIVE MOTOR
- E2 ELECTRICAL CONNECTION - SLURRY PUMP MOTOR
- E3 ELECTRICAL CONNECTION - SERVICE SUPPLY 1-3/4" CONDUIT HOLE
- E4 ELECTRICAL JUNCTION ENCLOSURE
- P1 DRAIN VALVE OUTLET CONNECTION (PIPE TO FLOOR SINK), 2" NPT (FEMALE), 15-1/2" AFF.
- P2 RETURN WATER OUTLET TO TROUGH, 1-1/2" FPT (FEMALE), 13" AFF.
- P3 RETURN WATER INLET CONNECTION FROM WATERPRESS, 2" FPT (FEMALE), 13" AFF.
- P4 SLURRY OUTLET CONNECTION TO WATERPRESS, 2" FPT (FEMALE), 24-1/2" AFF.
- P5 FRESH COLD WATER INLET CONNECTION, 3/4" FPT (FEMALE), 11-1/2" AFF.

E1	POWER SUPPLY	PULPER MOTOR	RATED AMPS	MINIMUM SUPPLY CIRCUIT CONDUCTOR AMPACITY
	208/60/3	6 HP	18.9	25
	230/60/3	6 HP	18.0	25
	460/60/3	6 HP	9.0	15

E2 Slurry pump motor info provided once system is designed

GENERAL NOTES

1. ALL DIMENSIONS TAKEN FROM FLOOR LINE MAY BE INCREASED OR DECREASED BY 3/4".
2. ELECTRICAL CONTROL PANEL, BY HOBART, SHOULD BE LOCATED WITHIN SIGHT OF PULPER AND BE EASILY ACCESSIBLE.

PLUMBING NOTES

1. CUSTOMER TO PROVIDE ALL INTERCONNECTING SLURRY AND RETURN PIPING FROM PULPER TO WATERPRESS AND FROM PULPER DRAIN LINE TO FLOOR SINK OR FLOOR DRAIN.
RECOMMENDED BUILDING FLOWING WATER PRESSURE TO THE PULPER IS 30 PSIG MIN (12 GPM).
IF FRESH WATER SUPPLY PRESSURE IS HIGHER THAN 45 PSIG, A PRESSURE REGULATING VALVE MUST BE INSTALLED IN THE WATER LINE (BY OTHERS).
2. RECOMMENDED PIPING TO BE STANDARD TYPE "L" COPPER.
3. TROUGH RETURN WATER PIPING TO BE TYPE "L" COPPER, SCHEDULE 40 GALVANIZED OR EQUIVALENT. (PVC PIPING NOT ACCEPTABLE)
4. TERMINATE FRESH WATER LINE AND TROUGH CONNECTIONS WITH UNION OR FLANGE TYPE FITTING.
5. HOT AND COLD WATER HOSE BIBS (FOR DAILY CLEANING OF UNIT), TO BE INSTALLED CLEAR OF BUT ACCESSIBLE TO UNIT, WITH A HEAVY DUTY HOSE AND SQUEEZE VALVE. (SUPPLIED BY OTHERS).
6. FLOOR DRAIN OR FLOOR SINK (ACCORDING TO LOCAL CODE REQUIREMENTS), TO BE KEPT CLEAR OF, BUT ACCESSIBLE TO THE UNIT.
7. PROTECT ALL EQUIPMENT AND RELATED PIPING FROM FREEZING TEMPERATURES AND CONDENSATION.
8. PLUMBING MUST RUN UPHILL TO TROUGH CONNECTION.
9. NO EXTERNAL STRAIN TO BE EXERTED ON HOBART EQUIPMENT.

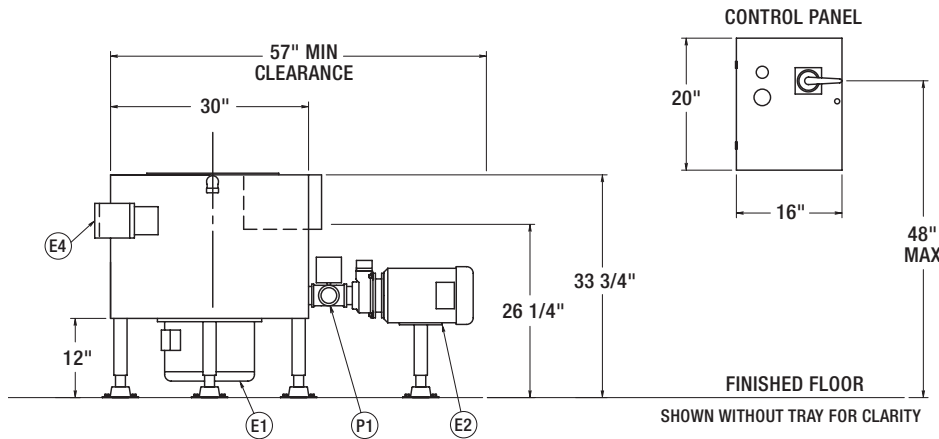
ELECTRICAL NOTES

1. ELECTRICAL CONTROL PANEL IS A SURFACE MOUNTED ENCLOSURE AVAILABLE IN NEMA 4 (SST), REMOTE-(20 X 20 X 8).
2. EACH ELECTRICAL CONTROL PANEL IS PREWIRED FROM THE FACTORY AND CONTAINS THE FOLLOWING ITEMS:
 - (A) MAIN CIRCUIT BREAKER (THERMAL MAGNETIC) INTERLOCKED WITH DOOR HANDLE.
 - (B) MAGNETIC CONTROLLER WITH OVERCURRENT PROTECTION FOR EACH MOTOR.
 - (C) STEP-DOWN TRANSFORMER FOR 115 VOLT (NOMINAL) CONTROL CIRCUIT OPERATION.
 - (D) ALL CONTROLS DESIGNED TO MEET THE REQUIREMENTS OF UL-508
3. CONTROL CIRCUIT TO BE 115 VAC NOMINAL
4. ALL CONTROL PANELS ARE TO BE WIRED IN ACCORDANCE TO LOCAL, STATE AND/OR NATIONAL ELECTRIC CODE SPECIFICATIONS
5. REMOTE PUSHBUTTON STATION TO BE MOUNTED & WIRED AT WORKSTATION BY CUSTOMER. (BRACKET SUPPLIED BY CUSTOMER)
6. REMOTE PUSH BUTTON STATION HOUSES TWO (2) ILLUMINATED PUSH BUTTONS.
7. EQUIPMENT DRIVE MOTORS ARE PROVIDED AS FOLLOWS:
 - (A) PULPER DRIVE MOTOR IS TOTALLY ENCLOSED, FAN COOLED.
 - (B) RECIRCULATING PUMP MOTOR IS TOTALLY ENCLOSED, FAN COOLED.
8. CUSTOMER TO PROVIDE ALL INTERCONNECTING WIRING FROM PREWIRED ELECTRICAL CONTROL PANEL TO PREWIRED TERMINAL BLOCKS, ELECTRICAL WIRING DIAGRAM PROVIDED WITH EACH PULPER.

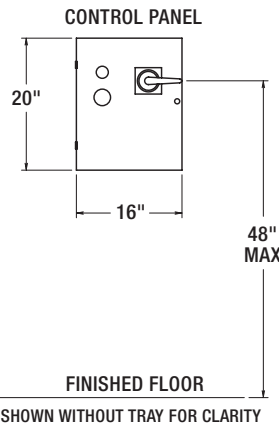


701 S Ridge Avenue, Troy, OH 45374
1-888-4HOBART • www.hobartcorp.com

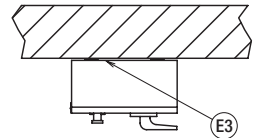
WPR-1260 WASTE PRO WASTE EQUIPMENT SYSTEM



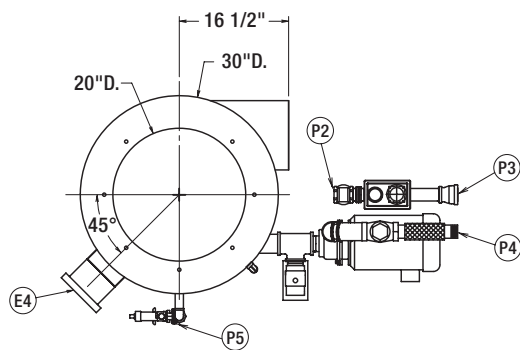
WPR-1260 ELEVATION VIEW (UNDER COUNTER)



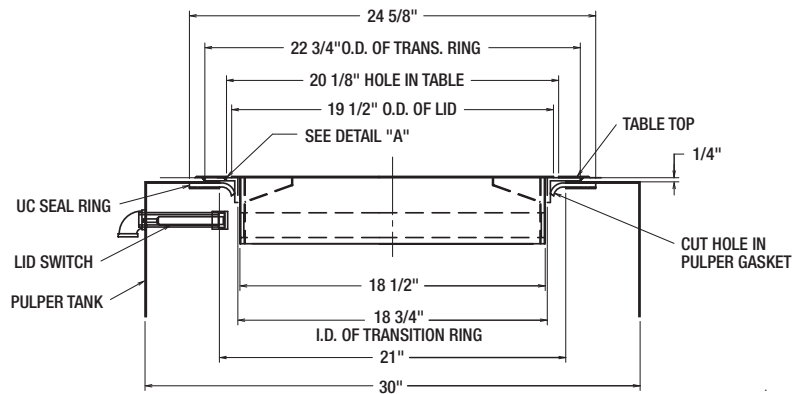
MODEL: WPR1260 UC
OPERATION
E-316105
REV. B



WALL MOUNTED CONTROL BOX
(ELECTRICAL CONDUIT HOLES TO BE ADDED AT TIME OF INSTALLATION)
MOUNT BOX 48\" AFF. MAX (AT HANDLE)
LOCATION TO BE DETERMINED BY INSTALLER & NEC/LOCAL CODES

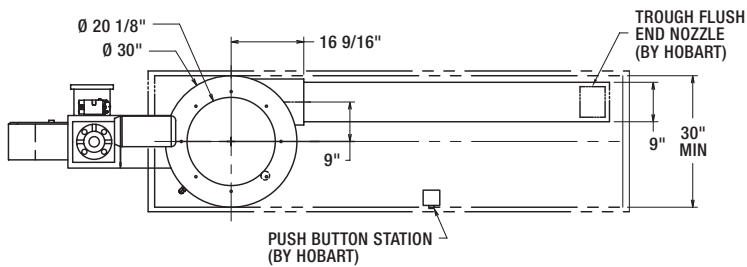


WPR-1260 PLAN VIEW (UNDER COUNTER)

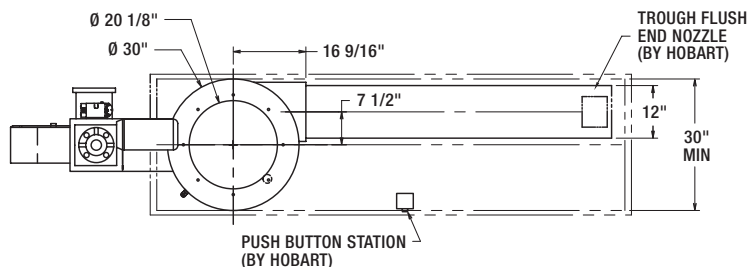


THE UC GASKET IS HELD TO THE UNDERSIDE OF THE PULPER TOP BY THE TWO HALVES OF THE TOP SEAL RING AND WELD STUDS. ELEVATE THE PULPER UNTIL THE GASKET IS IN CONTACT WITH THE BOTTOM EDGE OF THE UC TRANSITION RING. FROM THE INSIDE OF THE PULPER, CUT A HOLE IN THE GASKET USING THE TRANSITION RING AS A GUIDE (ROUGHLY 18 3/4 DIA.) ELEVATE THE PULPER THE REMAINDER OF THE WAY SINKING THE TRANSITION RING INTO THE HOLE IN THE GASKET.

UNDER COUNTER MOUNTING DETAIL



PLAN VIEW WPR-1260 UC PULPER SHOWN WITH 9" TROUGH CONNECTION



PLAN VIEW WPR-1260 UC PULPER SHOWN WITH 12" TROUGH CONNECTION

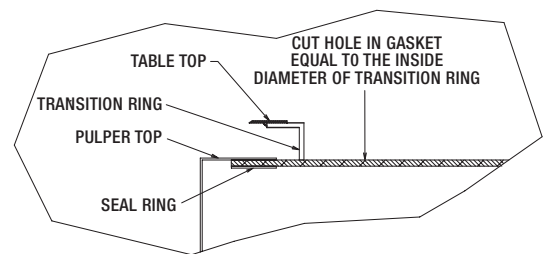


TABLE TOP
TIG 1/16
INTERMITTENT TACK WELD TO UNDERSIDE OF TABLE TOP. HOLE IN TABLE SHOULD BE 20 1/8" DIA. +/- 1/16"

DETAIL "A" – TRANSITION RING ATTACHMENT TO TABLE BY APPLICABLE CONTRACTOR

WPR-1260 WASTE PRO WASTE EQUIPMENT SYSTEM



701 S Ridge Avenue, Troy, OH 45374
1-888-4HOBART • www.hobartcorp.com

Benefits of Waste Equipment

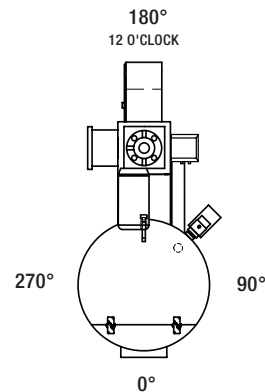
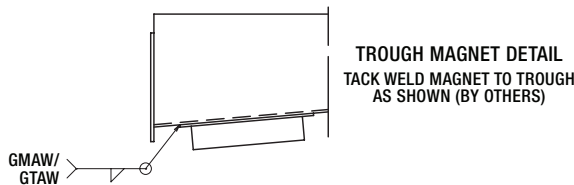
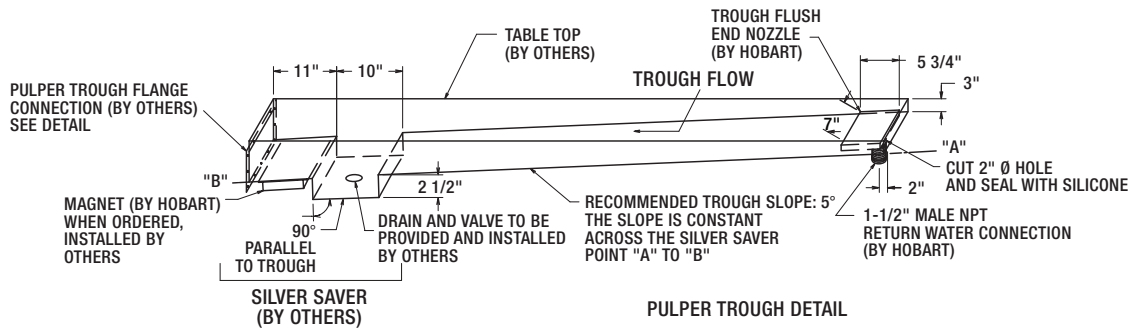
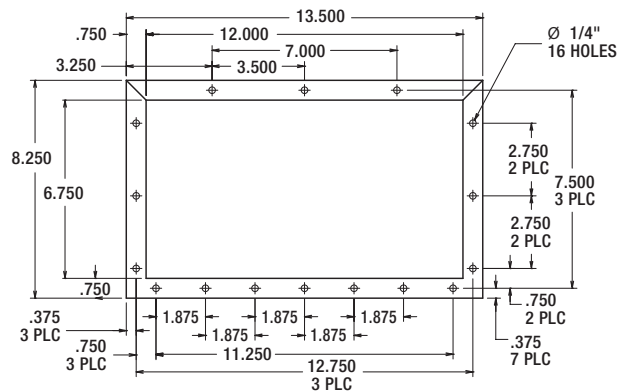
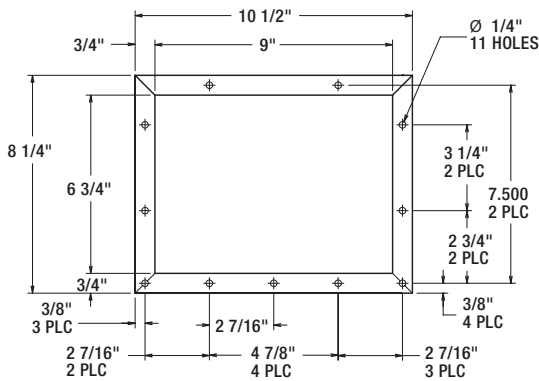
- Up to 88% reduction of waste volume.
- Savings on water usage.
- Reduced sewer costs.
- Labor Savings:
 - Reduction in man hours to haul waste to pick-up area.
 - Eliminates the need to sort paper from food waste.

– Dishwashing labor reduced by speeding up the scrapping operation.

- Reduction in solids discharged to sewer lines as compared to a food waste disposer.

* Based on foodservice waste mix of 41% food soil, 32% free liquid, 10% paper, 11% cardboard, 2.2% polystyrene, 1% film, 1% miscellaneous, 1% polypropylene (e.g. straws). Always consult your local Hobart representative to review and verify the content of your waste mix.

TABLE TROUGH CONNECTION FLANGES



SPECIFIC LAYOUT TO BE DETERMINED BY FACTORY

As continued product improvement is a policy of Hobart, specifications are subject to change without notice.