



Outperform every day.™

Project:  
Item Number:  
Quantity:

## FOUR WELL HOT MODULES



### DESCRIPTION

Vollrath's four-well drop-ins keep hot foods at proper serving temperatures. They are designed for top-mount installation and do not require hard-wiring.

### SHORT DESCRIPTION

Four-well hot-drop-in, flange and full-size wells, 300 series stainless steel, standard or manifold drains, insulated on all non-exposed sides, cord with plug, stainless steel remote control panel, mounting clips.

**Note:** Orders for drop-ins cannot be canceled or returned.

**Note:** Drop-in meets NSF4 performance standards only when using moist heat. Operation with water is required for even heating of the food product.

Item Numbers			Description	
Standard	Manifold	Manifold w/ Auto-Fill	Control	Voltage
<b>1000 Watts Per Well</b>				
3640701	3640751	3640761	Infinite	208-240
3640711	3640771	3640781	Thermostatic	
<b>625 Watts Per Well</b>				
36406	3640650	3640660	Infinite	120
3640610	3640670	3640680	Thermostatic	
36407	3640750	3640760	Infinite	208
3640710	3640770	3640780	Thermostatic	
36474	3647450	3647460	Infinite	240
3647410	3647470	3647480	Thermostatic	

### FEATURES

- Top flange and drawn well are 300 series stainless steel
- Include gasket for under drip edge
- Standard drain is ½" (1.3 cm) with individual well ball valves
- Manifold drain is 1" (2.5 cm) copper tubing with master manifold shut off
- Insulated on all sides, including between each well
- Includes 6' (1.8 m) cord with plug. Does not require hard-wiring
- Stainless steel control panel with individual controls and power indicator light for each well
- Control panel has 4' (121.9 cm) tethered connection for flexible mounting locations
- Includes standard mounting clips for use on counters up to 3" (7.6 cm) thick for easy installation
- Accepts full-size and fractional pans up to 6" (15.2 cm) deep
- Adapter bars are recommended when using fractional pans

### WARRANTY

All models shown come with Vollrath's standard warranty against defects in materials and workmanship. For full warranty details, please refer to [www.Vollrath.com](http://www.Vollrath.com).

### ACCESSORIES

- Sheet pan adapter available. Item No. 19186.

### CLEARANCE AND ENVIRONMENT REQUIREMENTS

- Zero-clearance installation
- Indoor use only. Room temperature and HVAC can effect performance temperatures

### Agency Listings



Due to continued product improvement, please consult [www.vollrath.com](http://www.vollrath.com) for current product specifications.

Approvals	Date



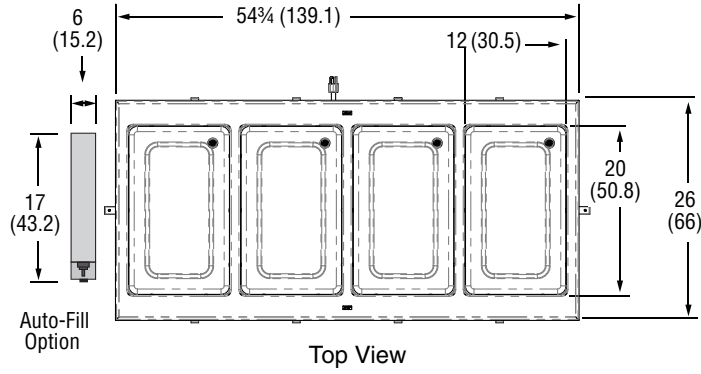
Outperform every day.™  
[www.vollrath.com](http://www.vollrath.com)

The Vollrath Company, L.L.C.  
1236 North 18th Street  
Sheboygan, WI 53081-3201 U.S.A.  
Customer Service: 800.628.0830  
Canada Customer Service: 800.695.8560  
Main Fax: 800.752.5620 or 920.459.6573

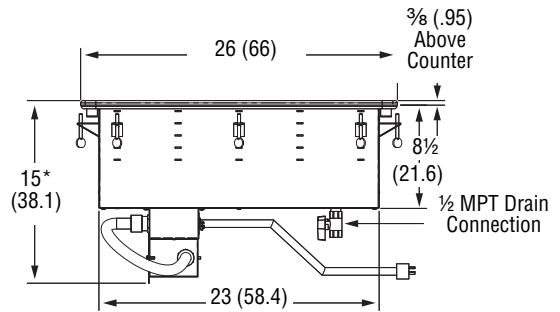
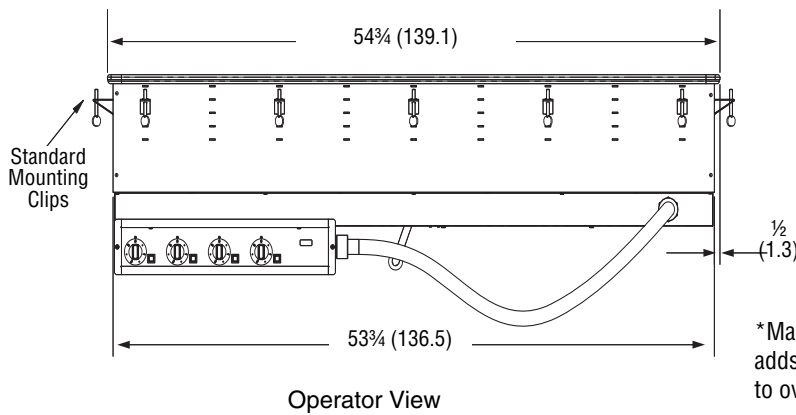
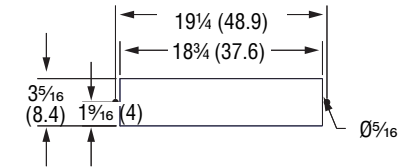
Technical Services: 800.628.0832  
Technical Services Fax: 920.459.5462

# FOUR WELL HOT MODULES

## DIMENSIONS (Shown in inches (cm))



### Control Panel Cutout



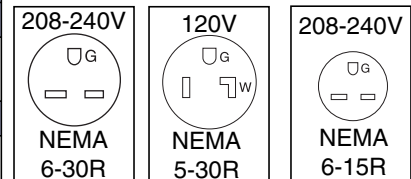
\*Manifold drain adds 6 1/2 (16.5) to overall height

Side View

## ELECTRICAL SPECIFICATIONS

Standard	Manifold	Manifold w/ Auto-Fill	Control	Cutout Dimension IN (CM)	Voltage	Amps	Plug
<b>1000 Watts Per Well</b>							
3640701	3640751	3640761	Infinite	54 x 25 1/4 (137.2 x 64.1)	208-240	14.4-16.7	NEMA 6-30P
3640711	3640771	3640781	Thermostatic				
<b>625 Watts Per Well</b>							
36406	3640650	3640660	Infinite	54 x 25 1/4 (137.2 x 64.1)	120	20.8	NEMA 5-30P
3640610	3640670	3640680	Thermostatic				
36407	3640750	3640760	Infinite		NEMA 6-15R	208	9.0
3640710	3640770	3640780	Thermostatic				
36474	3647450	3647460	Infinite				
3647410	3647470	3647480	Thermostatic				

### Straight Blade Receptacles



**NOTICE: Do NOT modify the cord or plug on the drop-in. Modifying any component may damage the drop-in or cause injury, and will void the warranty.**

**Note:** Cutout must have a 7/8" (2.2 cm) corner radius.



Outperform every day.™

[www.vollrath.com](http://www.vollrath.com)

The Vollrath Company, L.L.C.  
 1236 North 18th Street  
 Sheboygan, WI 53081-3201 U.S.A.  
 Customer Service: 800.628.0830  
 Canada Customer Service: 800.695.8560  
 Main Fax: 800.752.5620 or 920.459.6573

Technical Services: 800.628.0832  
 Technical Services Fax: 920.459.5462