

Blueair by BLUENIX

MODEL BLMI-650A

MODULAR

Perfectly Crafted Cubes Every Time,
Keeping Your Beverages and Events Cool
and Refreshing.



Produces up to 682 lbs of ice daily

Units produce individual crescent ice cubes.



Durable stainless steel cabinet and evaporator

with removable air filter.



Easy cleaning system

How to disassemble for cleaning
follow this youtube link:
https://www.youtube.com/watch?v=J_G45cNlfks&t=185s



Digital Self Diagnostic System

Power switch is accessible without
panel removal

**3 YEAR
WARRANTY**

PARTS & LABOR

**5 YEAR
WARRANTY**

COMPRESSOR & EVAPORATOR

Valid in the Continental United States

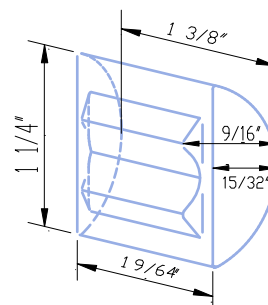
Service

- Panels easily removed and all components accessible for service.
- Removable/cleanable air filters.
- Allow 6" (15cm) clearance at rear, sides, and top for proper air circulation and ease of maintenance/service.

Plumbing

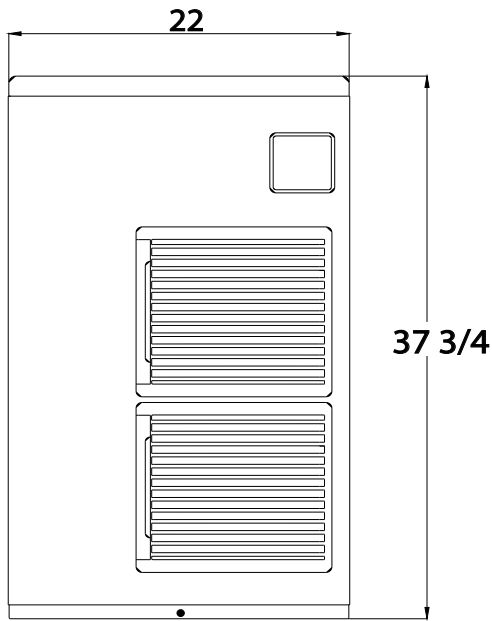
- Icemaker Water Supply Line: Minimum 3/8" Nominal DI Copper Water Tubing or Equivalent
- Icemaker Drain Line: Minimum 3/4" Nominal ID Hard Pipe or Equivalent

Cube Dimensions

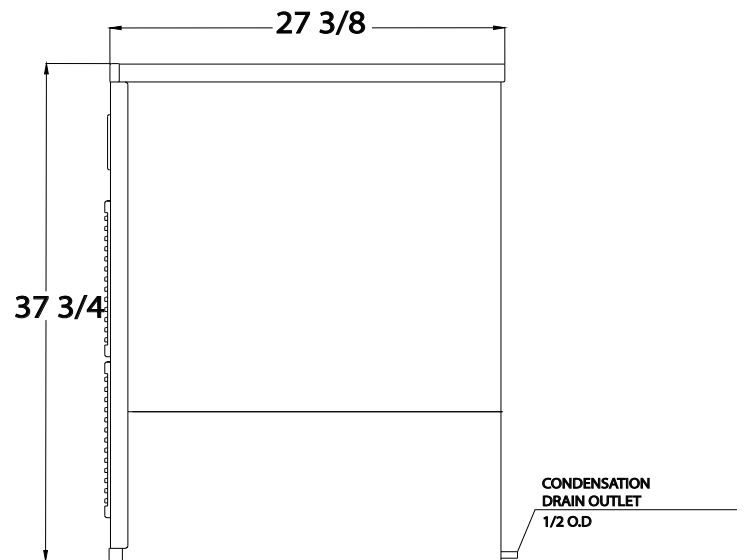


Approximate Size in inches,
image not to scale.

Front view

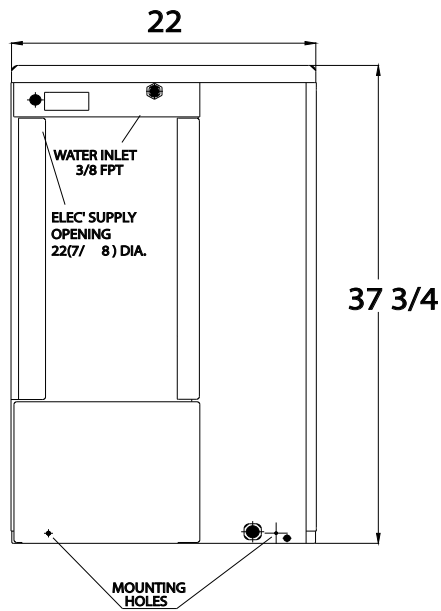


Side view

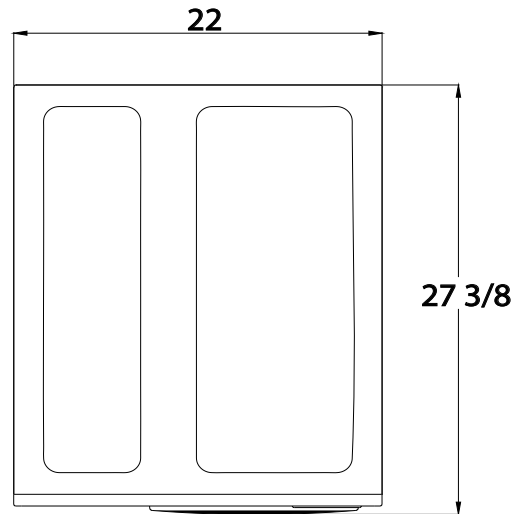


Blueair by
BLUENIX

Back view



Top view



Ice Production

**Air / Water Temp
Lbs. per 24 hrs**

70°/50°F	90°/70°F
682lbs	522lbs

Per Cycle

Lbs	Cubes
14.44lbs	720

Air 90°F / Water 70°F

KWH
per 100 lbs.
4.6 kWh

Portable Water Gal.
per 100lbs
15.1 gal

Condenser

Air-Cooled

Min. Circuit
Amperage

9

Voltage
V/HZ/PH

208-230V / 60Hz

Shipping
Weight

161 lbs / 73 kg

Refrigerant

R-410A

Operating Limits

Ambient Temp Range: 45 - 100° F

Water Temp Range: 45 - 90° F

Water Pressure: 30 - 100 PSIG

Voltage Range: 100 - 130V

BLUE AIR has right to change specifications without further notice.



This product may expose you to chemicals including Diisononyl Phthalate(DINP), which is known to the State of California to cause cancer. For more information go to www.P65Warnings.ca.gov.



blueairfse.com



orders@blueairfse.com



1.886.677.8500



223 W. Rosecrans Ave., CA 90248
T: 310.808.0102

9W. Shelton Terrace #A, Hillside, NJ 07205
T: 908-688-0970